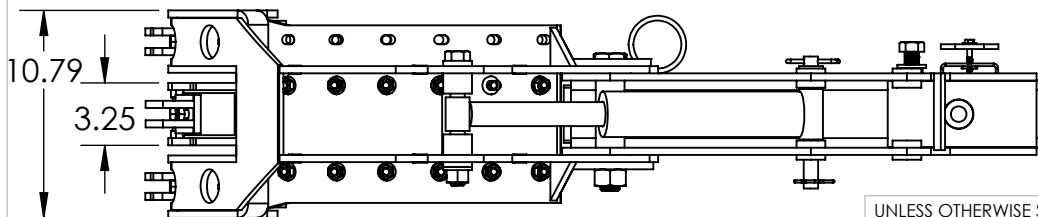
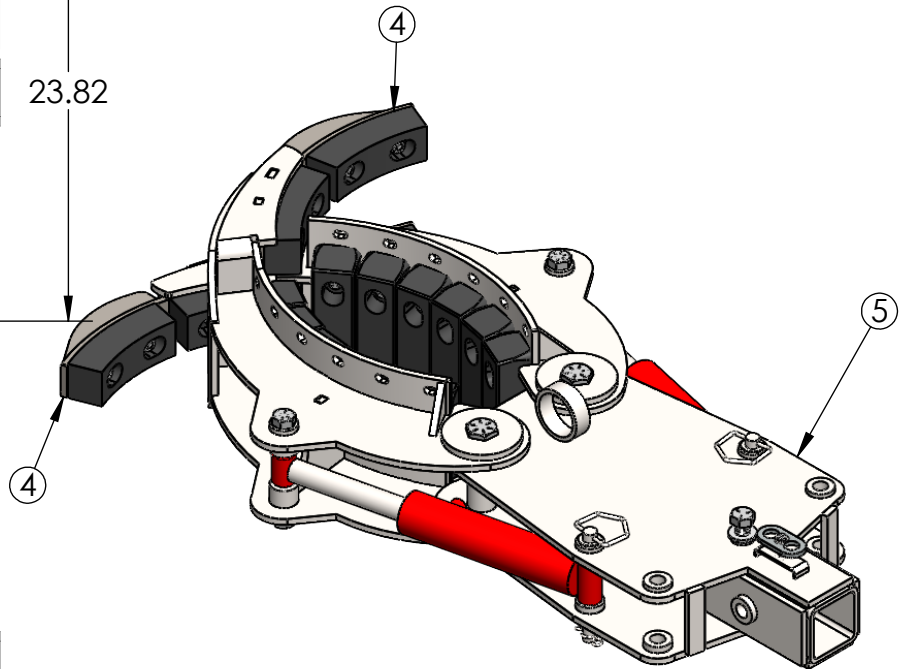
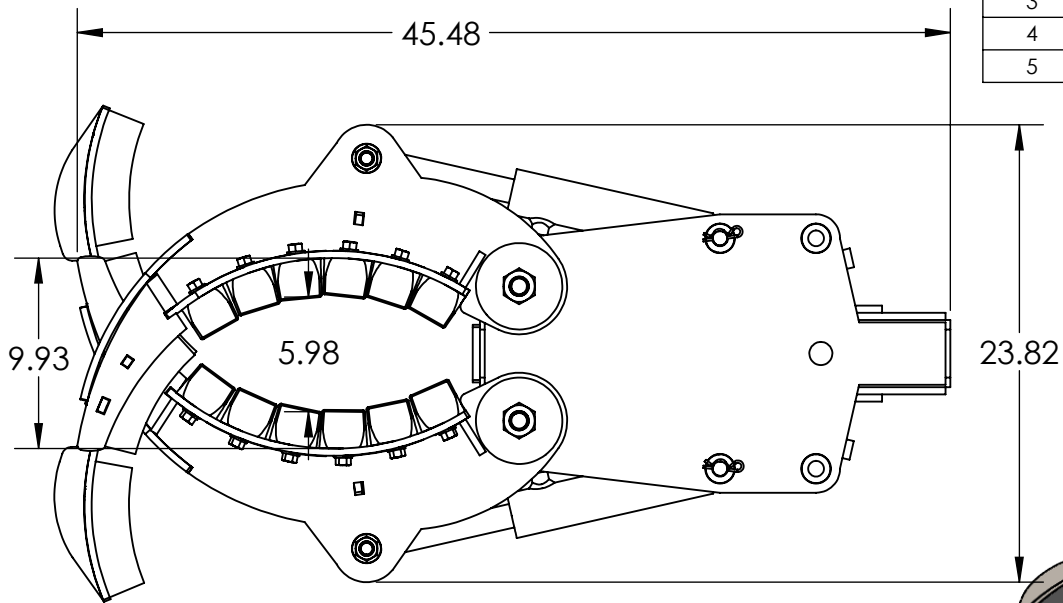


ITEM NO.	PART NUMBER	DESCRIPTION	QTY.
1	FA13161	7/16"-14 x 2" GRADE 5 ZINC HEX CAP SCREW	6
2	FA13163	7/16"-14 x 2-1/2" GRADE 5 ZINC HEX CAP SCREW	6
3	FA0166989	7/16"-14 GRADE F ZINC FINISH STEEL FLANGE TOP LOCK NUT	12
4	TH-01-0003	TIP EXTENSION WELDMENT	3
5	TH-01-3008	THREE FINGER TREE HAND CLOSED FRONT PIVOT	1



UNLESS OTHERWISE SPECIFIED:

DIMENSIONS ARE IN INCHES
 TOLERANCES:
 FRACTIONAL ±
 ANGULAR: MACH ± BEND ±
 TWO PLACE DECIMAL ±
 THREE PLACE DECIMAL ±

INTERPRET GEOMETRIC
 TOLERANCING PER:

MATERIAL

FINISH

DO NOT SCALE DRAWING

	NAME	DATE
DRAWN	BEVAN	8/16/2021
CHECKED		
ENG APPR.		
MFG APPR.		
Q.A.		
COMMENTS:		

EZ-SPOT-UR

TITLE:

3 FINGER TREE HAND WITH
 INSERTS

SIZE	DWG. NO.	REV
A	TH-01-3020-B - 3 FINGER TREE HAND WITH FINGERTIP EXTENSIONS	

SCALE: 1:10 WEIGHT: 268.19 LBS SHEET 1 OF 4

PROPRIETARY AND CONFIDENTIAL

THE INFORMATION CONTAINED IN THIS
 DRAWING IS THE SOLE PROPERTY OF
 EZ-SPOT-UR. ANY REPRODUCTION IN PART
 OR AS A WHOLE WITHOUT THE WRITTEN
 PERMISSION OF EZ-SPOT-UR IS PROHIBITED.

NEXT ASSY	USED ON	APPLICATION

5

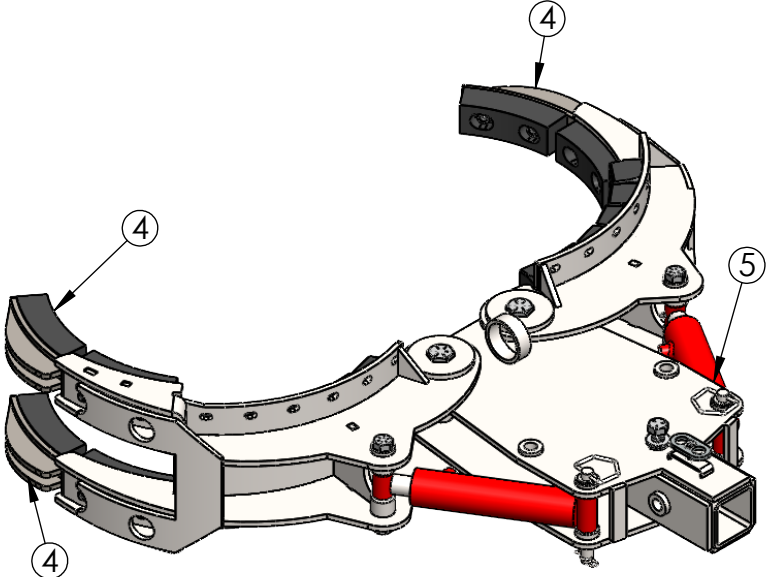
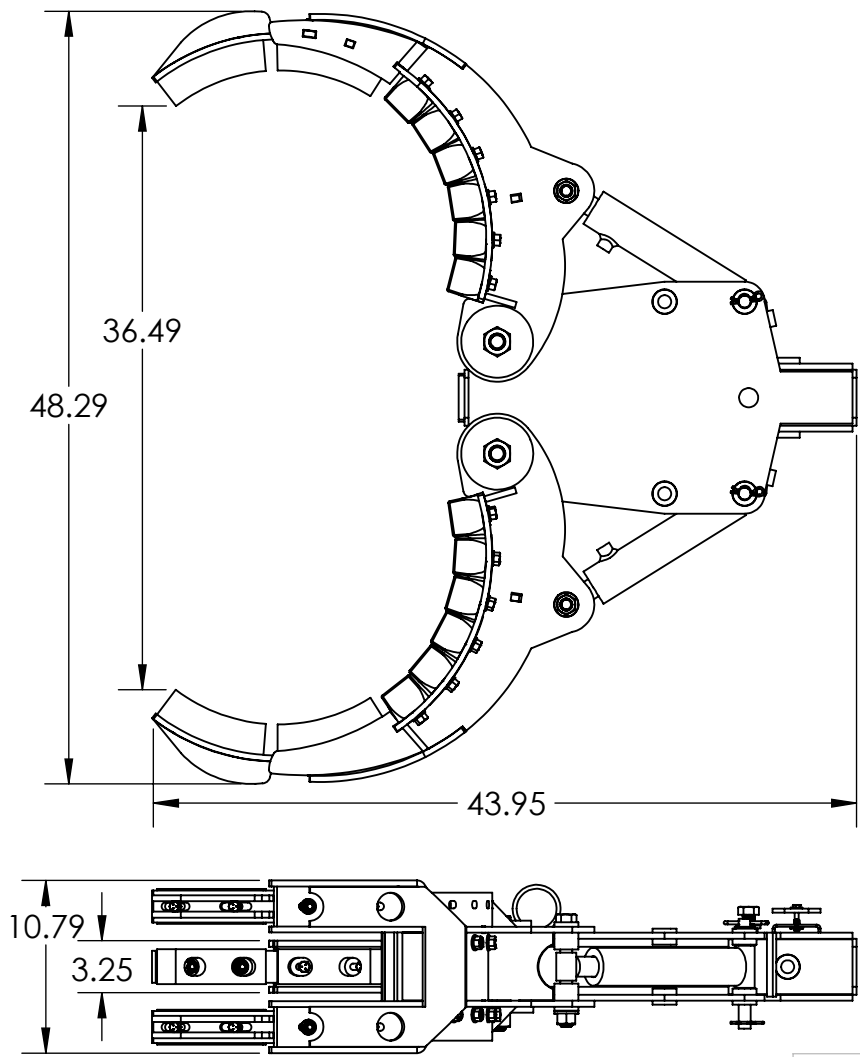
4

3

2

1

ITEM NO.	PART NUMBER	DESCRIPTION	QTY.
1	FA13161	7/16"-14 x 2" GRADE 5 ZINC HEX CAP SCREW	6
2	FA13163	7/16"-14 x 2-1/2" GRADE 5 ZINC HEX CAP SCREW	6
3	FA0166989	7/16"-14 GRADE F ZINC FINISH STEEL FLANGE TOP LOCK NUT	12
4	TH-01-0003	TIP EXTENSION WELDMENT	3
5	TH-01-3008	THREE FINGER TREE HAND OPEN BACK PIVOT	1



UNLESS OTHERWISE SPECIFIED:		NAME	DATE
DIMENSIONS ARE IN INCHES		DRAWN	BEVAN 8/16/2021
TOLERANCES:		CHECKED	
FRACTIONAL ±		ENG APPR.	
ANGULAR: MACH ± BEND ±		MFG APPR.	
TWO PLACE DECIMAL ±		Q.A.	
THREE PLACE DECIMAL ±		COMMENTS:	
INTERPRET GEOMETRIC TOLERANCING PER:			
MATERIAL			
FINISH			
NEXT ASSY	USED ON		
APPLICATION			
DO NOT SCALE DRAWING			

EZ-SPOT-UR

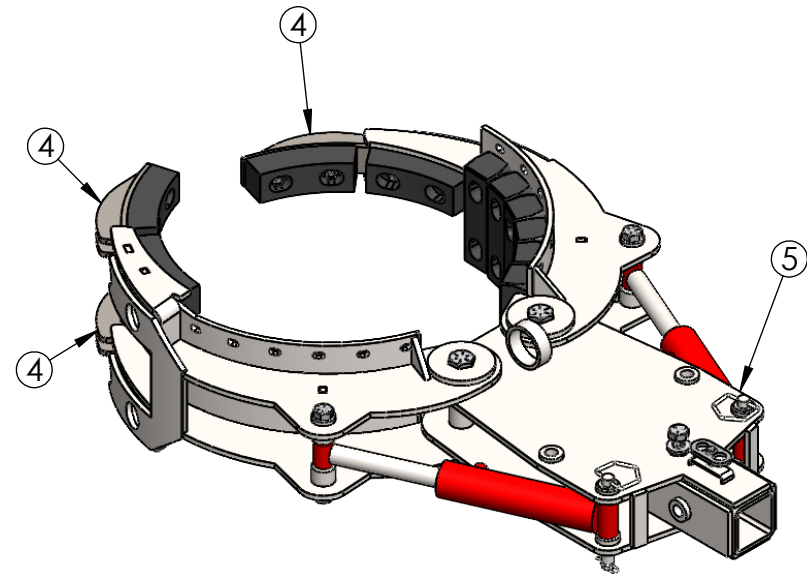
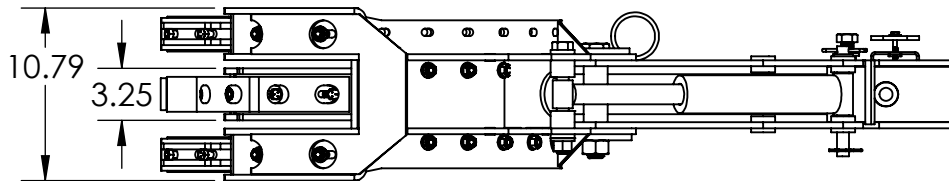
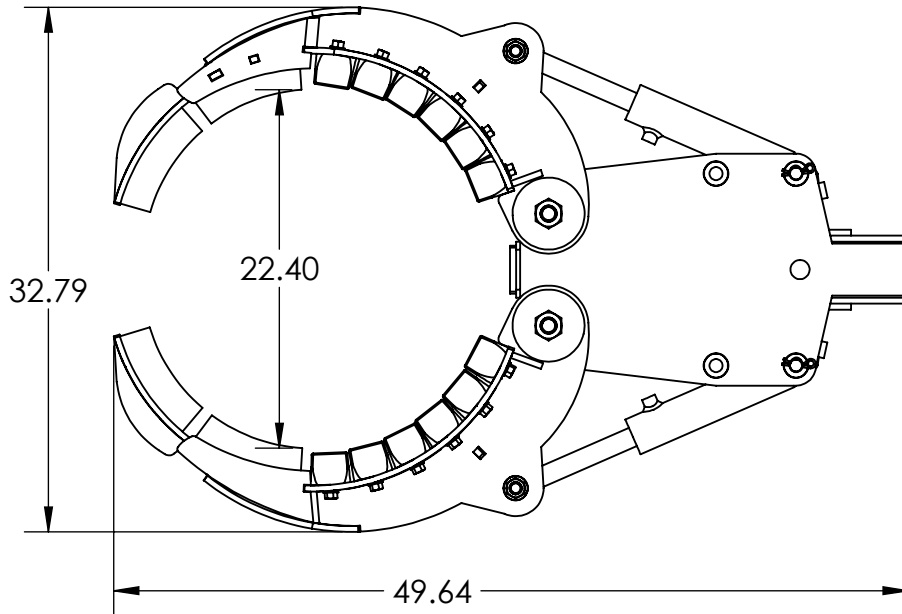
TITLE:
3 FINGER TREE HAND WITH INSERTS

SIZE DWG. NO. REV
A TH-01-3020-B - 3 FINGER TREE HAND WITH FINGERTIP EXTENSIONS

SCALE: 1:12 WEIGHT: 268.19 LBS SHEET 2 OF 4

PROPRIETARY AND CONFIDENTIAL
THE INFORMATION CONTAINED IN THIS DRAWING IS THE SOLE PROPERTY OF EZ-SPOT-UR. ANY REPRODUCTION IN PART OR AS A WHOLE WITHOUT THE WRITTEN PERMISSION OF EZ-SPOT-UR IS PROHIBITED.

ITEM NO.	PART NUMBER	DESCRIPTION	QTY.
1	FA13161	7/16"-14 x 2" GRADE 5 ZINC HEX CAP SCREW	6
2	FA13163	7/16"-14 x 2-1/2" GRADE 5 ZINC HEX CAP SCREW	6
3	FA0166989	7/16"-14 GRADE F ZINC FINISH STEEL FLANGE TOP LOCK NUT	12
4	TH-01-0003	TIP EXTENSION WELDMENT	3
5	TH-01-3008	THREE FINGER TREE HAND CLOSED BACK PIVOT	1



UNLESS OTHERWISE SPECIFIED:

DIMENSIONS ARE IN INCHES
 TOLERANCES:
 FRACTIONAL ±
 ANGULAR: MACH ± BEND ±
 TWO PLACE DECIMAL ±
 THREE PLACE DECIMAL ±

INTERPRET GEOMETRIC
 TOLERANCING PER:

MATERIAL

FINISH

DO NOT SCALE DRAWING

	NAME	DATE
DRAWN	BEVAN	8/16/2021
CHECKED		
ENG APPR.		
MFG APPR.		
Q.A.		
COMMENTS:		

EZ-SPOT-UR

TITLE:

3 FINGER TREE HAND WITH
 INSERTS

SIZE	DWG. NO.	REV
A	TH-01-3020-B - 3 FINGER TREE HAND WITH FINGERTIP EXTENSIONS	

SCALE: 1:12 WEIGHT: 268.19 LBS SHEET 3 OF 4

PROPRIETARY AND CONFIDENTIAL

THE INFORMATION CONTAINED IN THIS
 DRAWING IS THE SOLE PROPERTY OF
 EZ-SPOT-UR. ANY REPRODUCTION IN PART
 OR AS A WHOLE WITHOUT THE WRITTEN
 PERMISSION OF EZ-SPOT-UR IS PROHIBITED.

NEXT ASSY	USED ON	APPLICATION

5

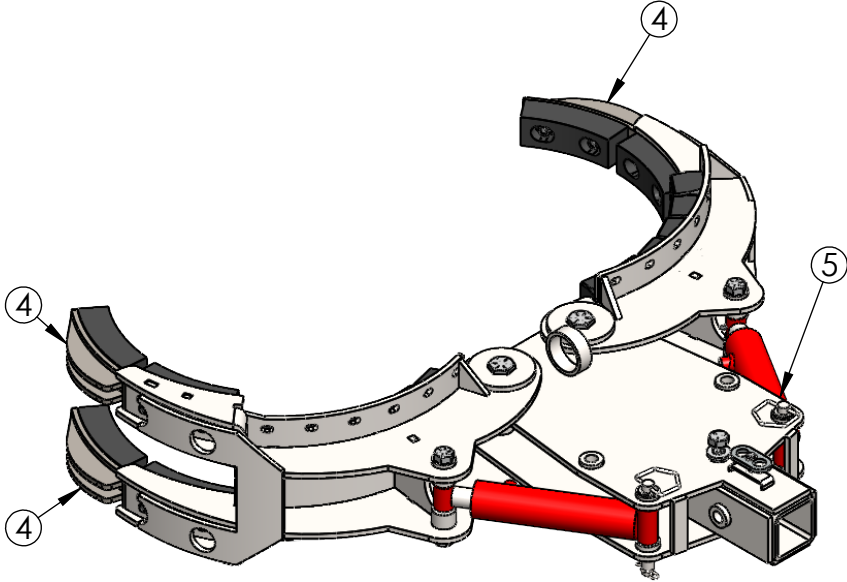
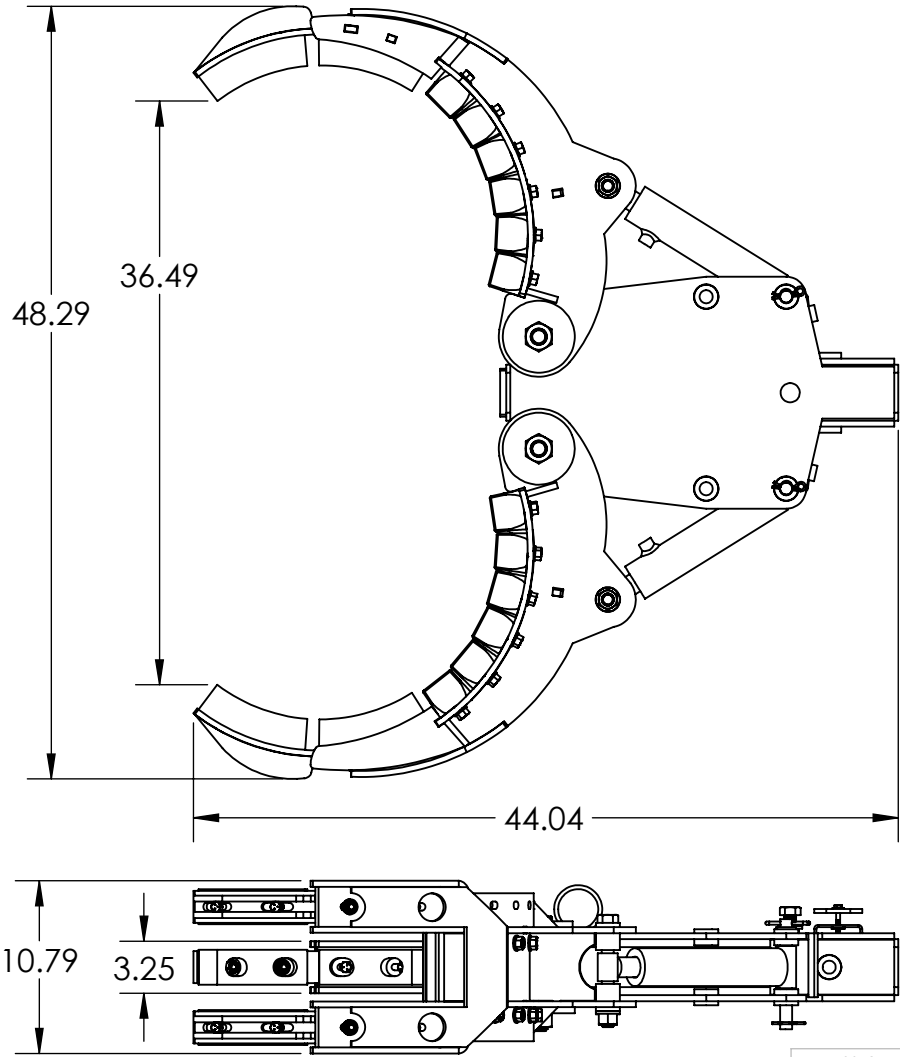
4

3

2

1

ITEM NO.	PART NUMBER	DESCRIPTION	QTY.
1	FA13161	7/16"-14 x 2" GRADE 5 ZINC HEX CAP SCREW	6
2	FA13163	7/16"-14 x 2-1/2" GRADE 5 ZINC HEX CAP SCREW	6
3	FA0166989	7/16"-14 GRADE F ZINC FINISH STEEL FLANGE TOP LOCK NUT	12
4	TH-01-0003	TIP EXTENSION WELDMENT	3
5	TH-01-3008	THREE FINGER TREE HAND OPEN BACK PIVOT	1



UNLESS OTHERWISE SPECIFIED:

DIMENSIONS ARE IN INCHES
TOLERANCES:
FRACTIONAL ±
ANGULAR: MACH ± BEND ±
TWO PLACE DECIMAL ±
THREE PLACE DECIMAL ±

INTERPRET GEOMETRIC
TOLERANCING PER:

MATERIAL

FINISH

DO NOT SCALE DRAWING

	NAME	DATE
DRAWN	BEVAN	8/16/2021
CHECKED		
ENG APPR.		
MFG APPR.		
Q.A.		
COMMENTS:		

EZ-SPOT-UR

TITLE:
**3 FINGER TREE HAND WITH
INSERTS**

SIZE	DWG. NO.	REV
A	TH-01-3020-B - 3 FINGER TREE HAND WITH FINGERTIP EXTENSIONS	

SCALE: 1:12 WEIGHT: 268.19 LBS SHEET 4 OF 4

PROPRIETARY AND CONFIDENTIAL
THE INFORMATION CONTAINED IN THIS
DRAWING IS THE SOLE PROPERTY OF
EZ-SPOT-UR. ANY REPRODUCTION IN PART
OR AS A WHOLE WITHOUT THE WRITTEN
PERMISSION OF EZ-SPOT-UR IS PROHIBITED.

NEXT ASSY	USED ON	APPLICATION

5

4

3

2

1