



ATTACHMENTS

Make it EZ!

1-877-433-5733

www.ezspotur.com



ATTACHMENTS

Make it EZ!



**HEAVY
DUTY POLE
SETTER
EZ-HD08**

SAFETY FEATURES

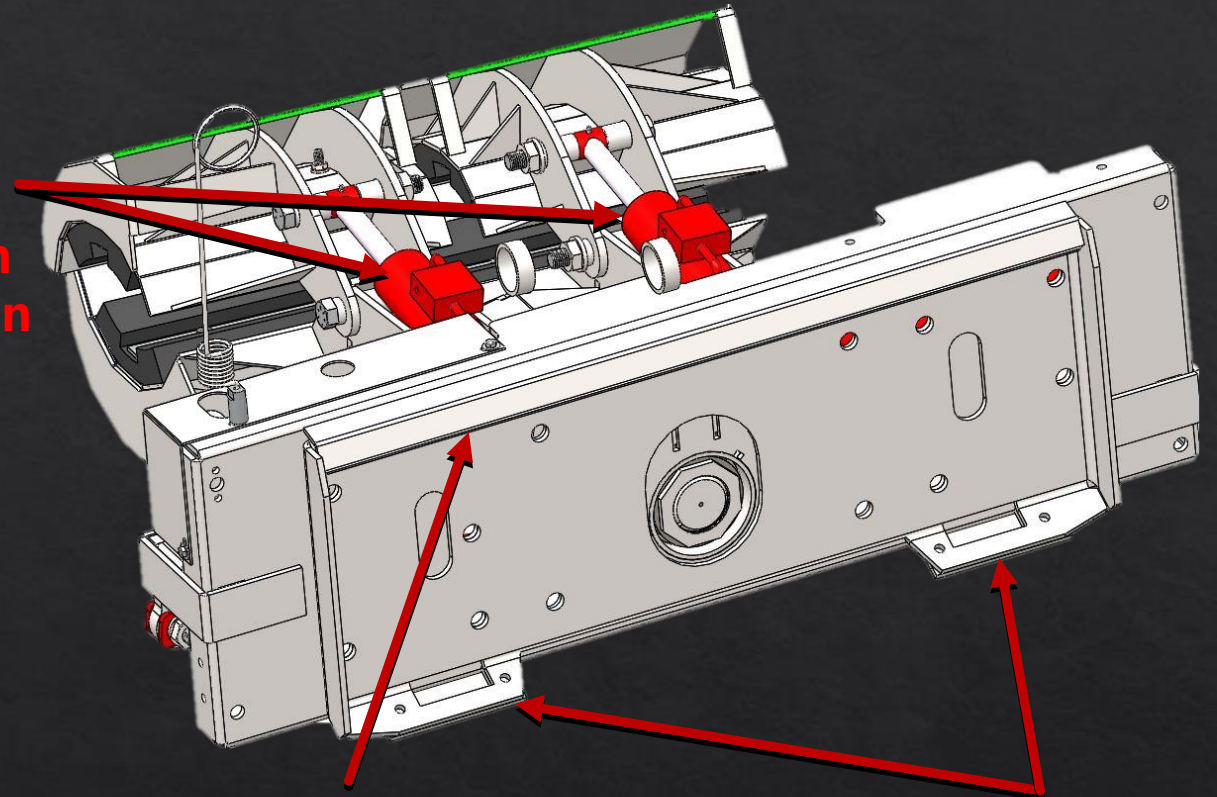
Decal Safety

All units have pictorial and written caution decals.



Clamp Safety

3" x 6" Cylinders with check valve protection



QUICK ATTACH GUSSET

DOUBLERS

Connection Safety

Quick attach plate has gusset on top for extra support.

Quick attach plate has doublers at the pin holes to insure they will not tear out.



Make it EZ!

SAFETY FEATURES

ROTATION SAFETY

The rotation cycle has a mechanical stop built in so the hydraulic cylinders cannot exceed the maximum extension.



SHAFT SAFETY

The main rotating shaft is made of solid 3 ½ inch 4140 OQT steel sleeved with a 4 ½ inch OD 7/16 inch wall thickness to relieve stress for the tool.

HOSE SAFETY

- All hydraulic hoses are Cordura protected.
- Hoses have an operating pressure of 3,000 psi
- Hoses have a burst pressure of 12,000 psi.
- The spring hose unit ensures that the hydraulic line will not get pinched.
- The spring hose unit keeps the hoses out of the dirt



SPRING HOSE MOUNT



Make it EZ!

IDEAL FOR: UTILITY POLES



EZ SPOT UR
ATTACHMENTS

Make it EZ!

IDEAL FOR: STREET LIGHTING



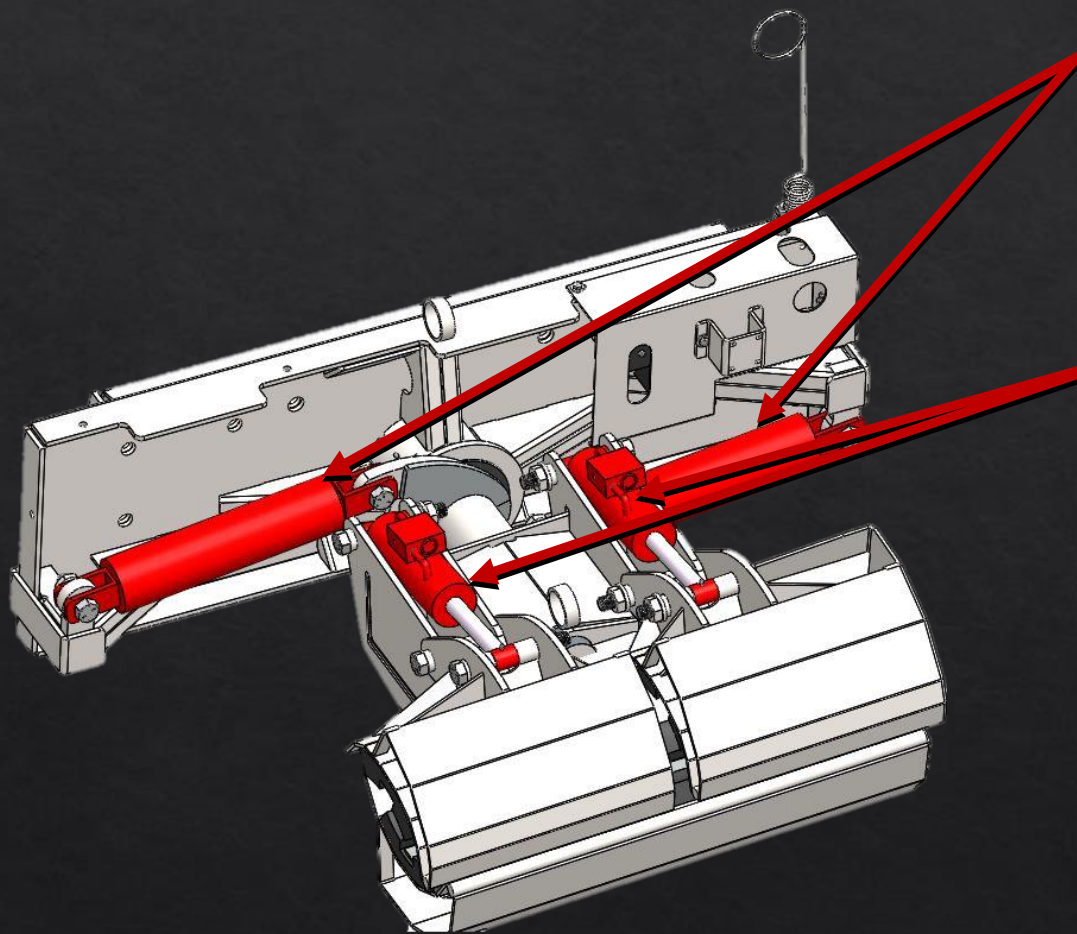
EZ SPOT UR *Make it EZ!*
ATTACHMENTS

IDEAL FOR: INFASTRUCTURE



EZ SPOT UR *Make it EZ!*
ATTACHMENTS

PRODUCT SPECIFICATIONS



1. ROTATION CYLINDERS

- 4"x12.5" Clamp Cylinders
- Break out force of 37,699 lbs

2. CLAMP CYLINDERS

- 3"x6" Clamp Cylinders
- Break out force of 21,206 lbs
- Protected with a check valve to avoid losing a pole if a line breaks.
- Grips pole securely
- The upper clamp arms operate in sequence which ensure that a pole is not unintentionally dropped.

PRODUCT SPECIFICATIONS

- Attaches easily with Universal Quik Tach!
- 1400 lbs (635 kg) stand alone attachment.
- Rated weight capacity 2500 lbs (1134 kg)
- Rated for setting and pulling 45 foot (13.7 m) Class 1 poles.
- Jaws open from 5 inches (127 mm) to 21 inches (530 mm).
- Optional insert available to make jaws close to 0.





PRODUCT SPECIFICATIONS

- Rotates 120° to the operators left.
- 3/4" inch flush face hydraulic coupling connection.
- Grade 8 bolts
- Composed of Grade 80 material
- Core welded to withstand wear and tear.



EZ SPOT UR
ATTACHMENTS

Make it EZ!

**EZ SPOT UR AUGER
EZ-AGR01**

SAFETY FEATURES



Make it EZ!

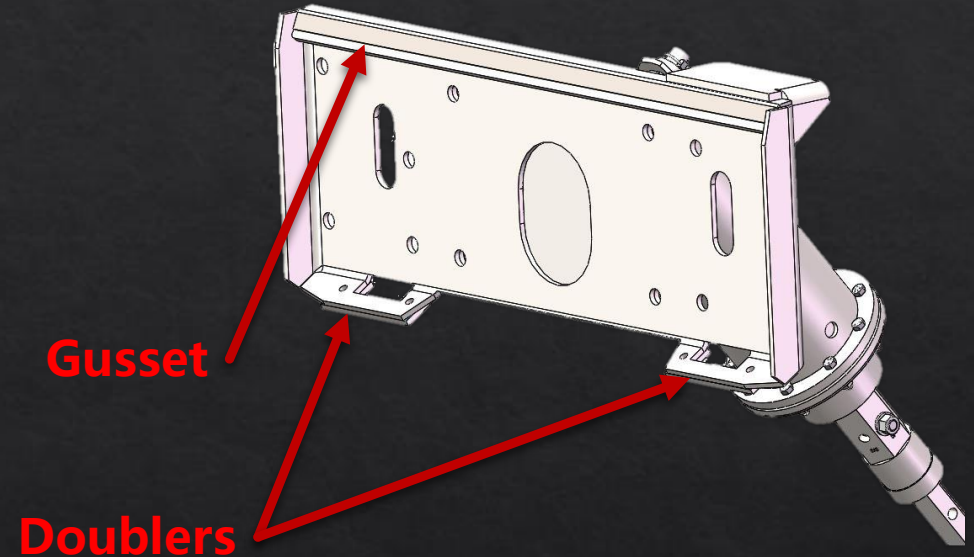


Decal Safety

All units have pictorial and written caution decals.

AUGER SAFETY

- Steel tube to protect the motor and planetary from flying debris



Gusset

Doublers

Connection Safety

Quick attach plate has gusset on top for extra support.

Quick attach plate has doublers at the pin holes to insure they will not tear out.

SAFETY FEATURES

Hose Safety

- All hydraulic hoses are Cordura protected
- Hoses have an operating pressure of 3,000psi
- Burst pressure of 12,000psi.
- The spring hose unit prevents the lines from getting pinched
- Spring hose unit keeps lines out of the dirt.



EZ SPOT UR
ATTACHMENTS

Make it EZ!

SAFELY DIGS THROUGH DIRT & ROCK



EZ SPOT UR
ATTACHMENTS *Make it EZ!*

SAFELY DIG HOLES FOR UTILITY POLES



EZ SPOT UR *Make it EZ!*
ATTACHMENTS

Product Specifications

- 18" or 20" Augers available
- Rock or dirt bits available
- 2', 3', or 4' auger extensions for deeper holes
- Universal Quick Tach' mounting system.
- Can be adapted to fit any machine



Make it EZ!



Product Specifications



- Mass of Auger: 625 lbs
- 3/4 inch Flush Face Couplers
- Composed of Grade 80 material or higher.
- 1 3/16" 1018 pins
- Grade 8 bolts
- Core welded

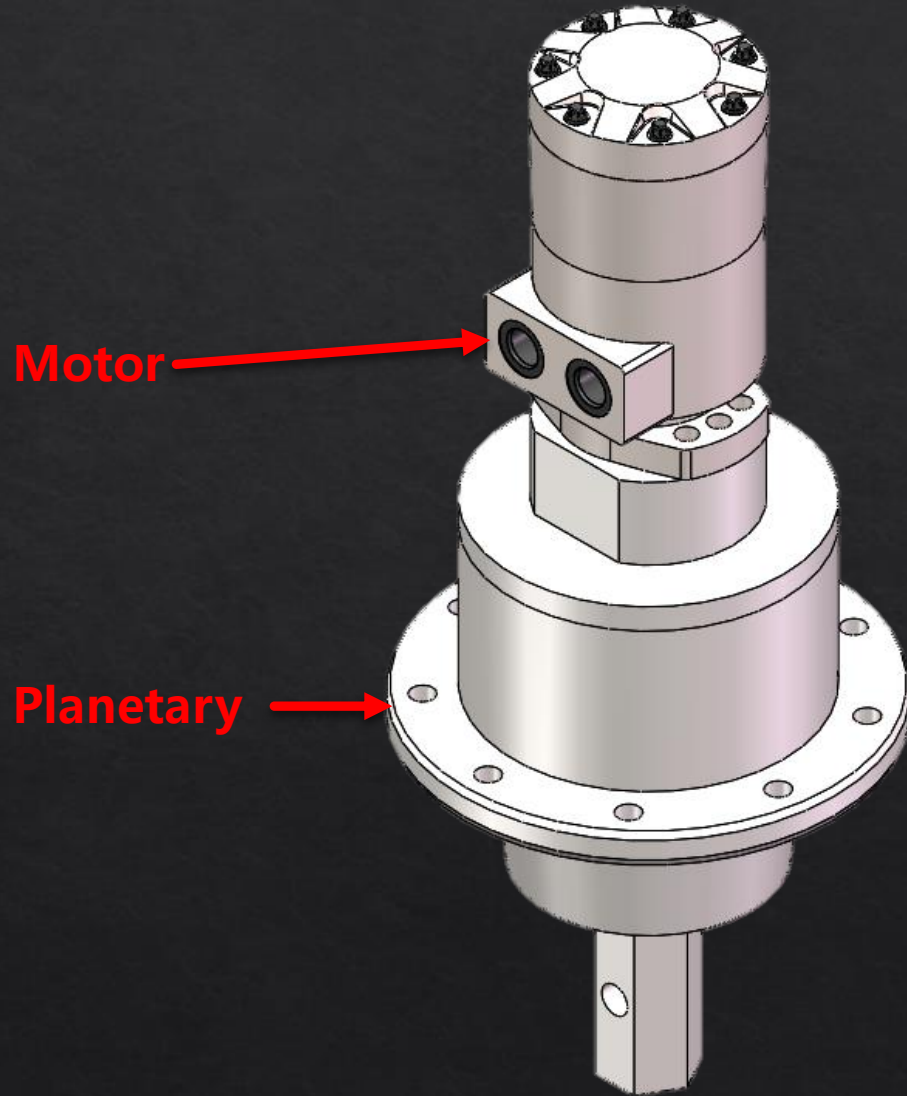
EZ SPOT UR
ATTACHMENTS

Make it EZ!

Product Specifications



Make it EZ!



Planetary

- 16.88:1 Double Reduction Ratio
- Max output torque: 50,000 lb-in
- Max input speed: 5,000 rpm

Motor

- Displacement: 12.4 in³/r
- Max Torque: 554 lb-in
- Max Speed: 470 rpm

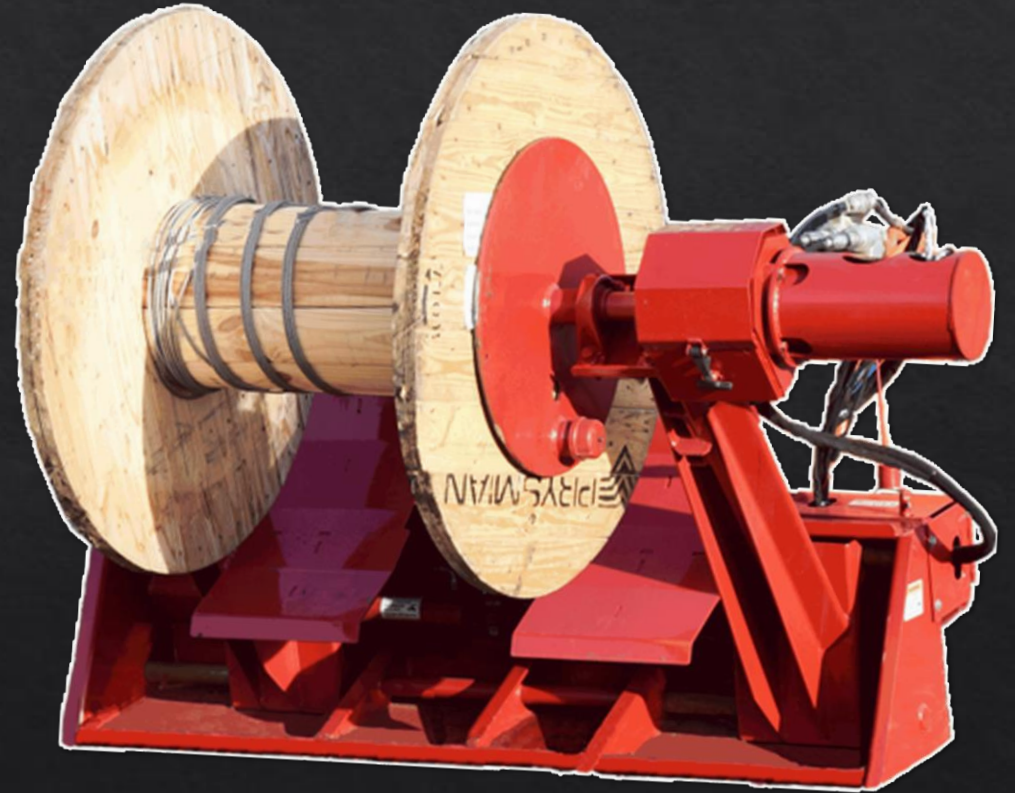
Planetary and Motor combined

- Torque: 4,167 ft lbs



Make it EZ!

WIRE REEL
EZ-WR01



SAFETY FEATURES

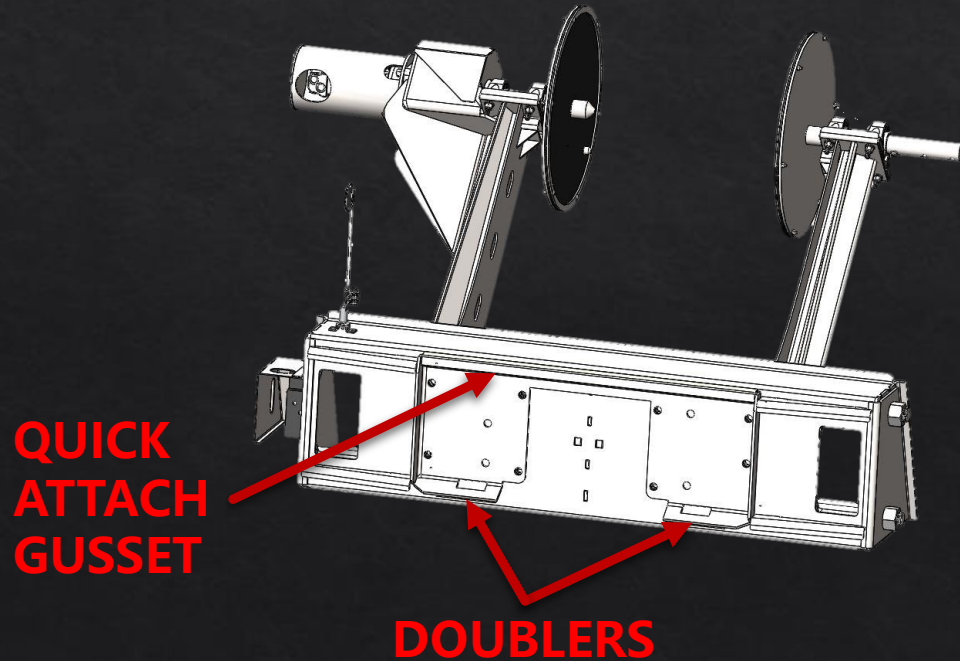


Make it EZ!

Connection Safety

Quick attach plate has doublers at the pin holes to insure they will not tear out.

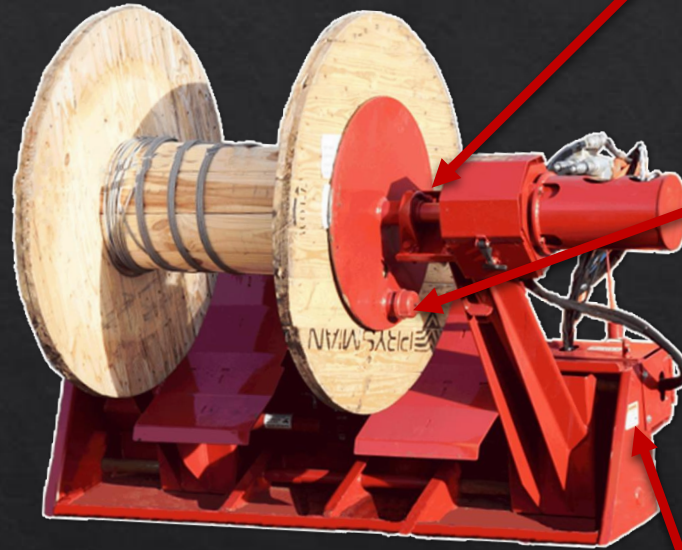
Quick attach plate has gusset on top for extra support



ATTACHMENTS

GUARD SAFETY

Guards protect the users of the wire reel from moving parts.



PIN SAFETY

The attachment is equipped with a smaller pin in addition to the main center pin that goes into the spool. The small pin holds the spool securely for rotation rather than relying solely on clamping the spool.

DECAL SAFETY

All units have pictorial and written caution decals

SAFETY FEATURES



Make it EZ!

SPRING HOSE MOUNT



Hose Safety

- All hydraulic hoses are **Cordura protected**.
- Hoses have an operating pressure of 3,000psi
- Hoses have a burst pressure of 12,000psi.
- The spring hose unit ensures that the hydraulic line will not get pinched.
- The spring hose unit keeps the hoses out of the dirt

EZ SPOT UR
ATTACHMENTS

Make it EZ!



- Safely spool and unspool wire
- One man operational



Make it EZ!



Simple to load

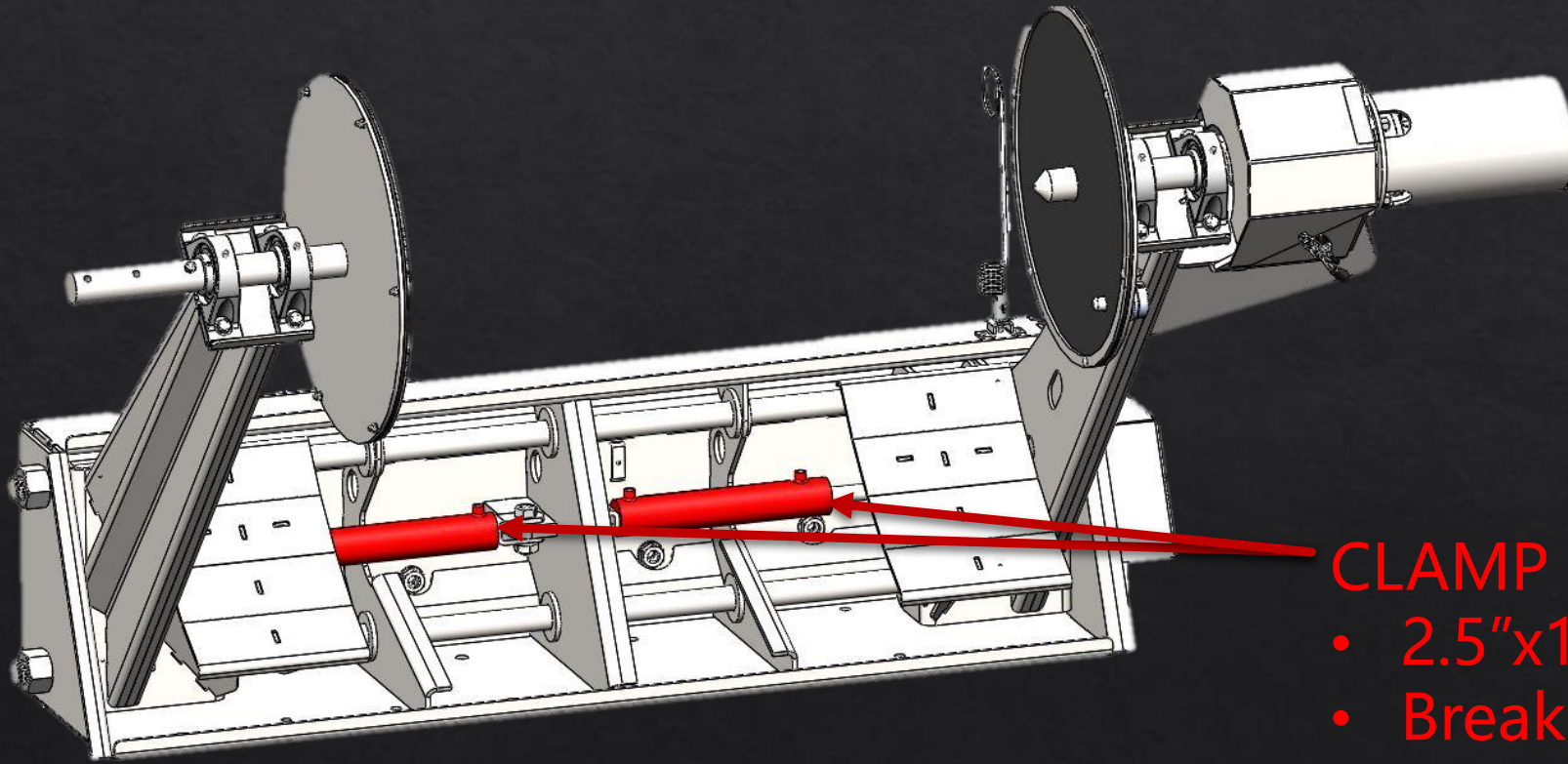
Raise up or down





Make it EZ!

Clamp Specifications



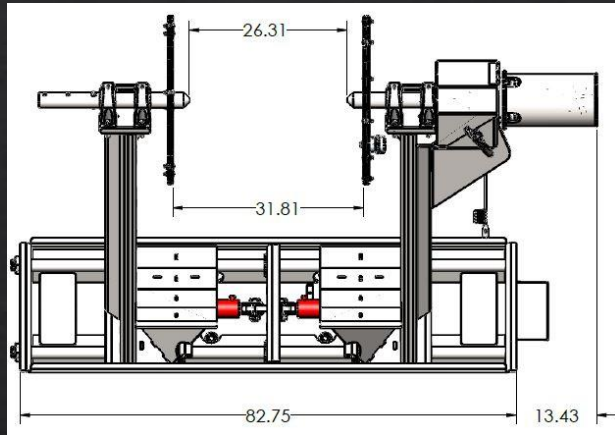
CLAMP CYLINDERS

- 2.5"x12.5" CLAMP CYLINDERS
- Break out force of 11,045 lbs
- Grips wire spools securely

PRODUCT SPECIFICATIONS

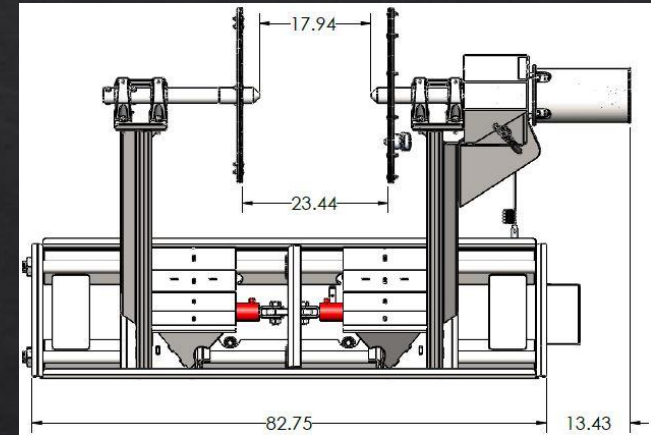


**Dimensions for Wire Reel
with shaft pinned in last hole**

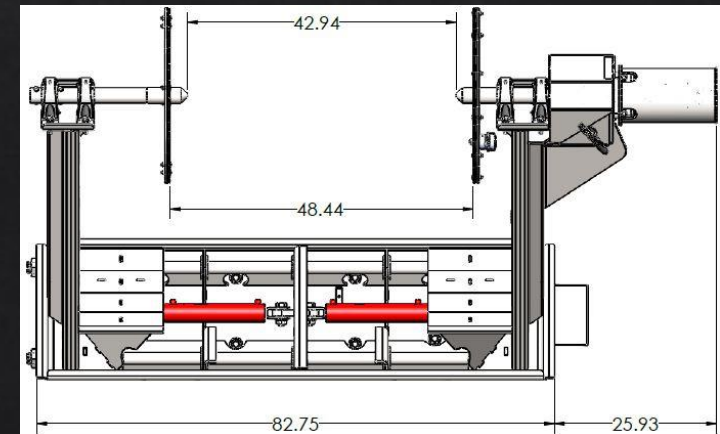
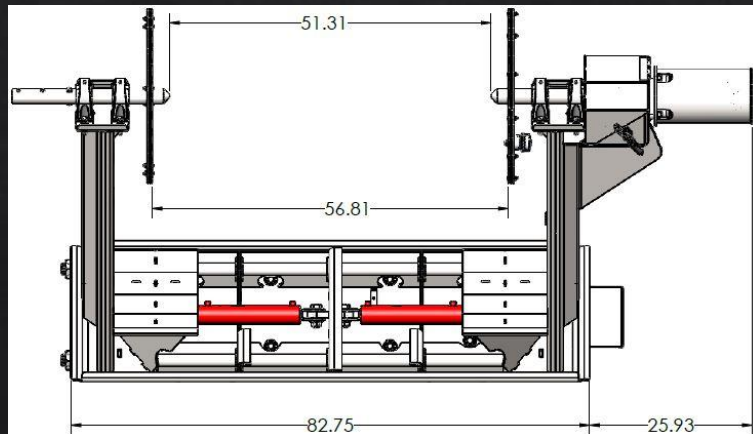


For spools 32 to 50 inches wide

**Dimensions for Wire Reel
with shaft pinned in first hole**



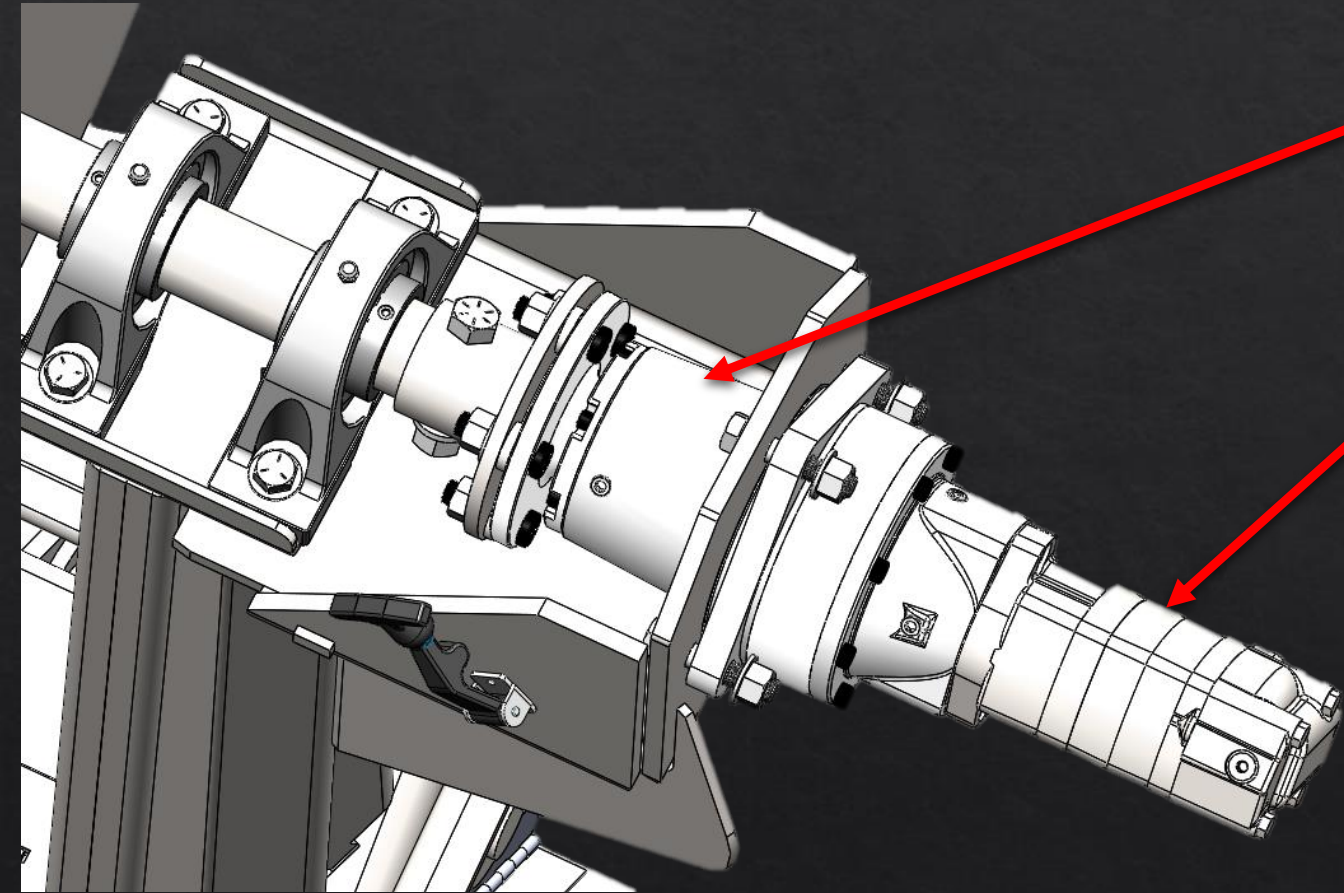
For spools 24 to 42 inches wide



PRODUCT SPECIFICATIONS



Make it EZ!



Planetary Drive

- Torque: 30,000 in lbs
- 27:1 Reduction Ratio

Motor

- Torque: 5,730 in lbs
- Displacement 18.7 in³/r

Motor and Planetary Drive Combined

- Torque: 37,908 in lbs

Product Specifications

- Universal Quick Tach mounting system.
- 1,925 lbs. attachment empty weight.
- Can be adapted to all types of machines (backhoes, telehandlers, and excavators.)
- Maximum spool diameter:72 inches
- Maximum loaded spool weight: 5,900 lbs
- Spring loaded pin for catching the drive hole on the reel.



Make it EZ!

Product Specifications



- Free Wheeling Capability
- 3/4 inch Flush Face Coupling
- Spring Hose Mount included
- Composed of Grade 50 or higher steel
- Core welded.



Make it EZ!



ATTACHMENTS

Make it EZ!



**POLE JACK
EZ-PJ001**

SAFETY FEATURES



Make it EZ!

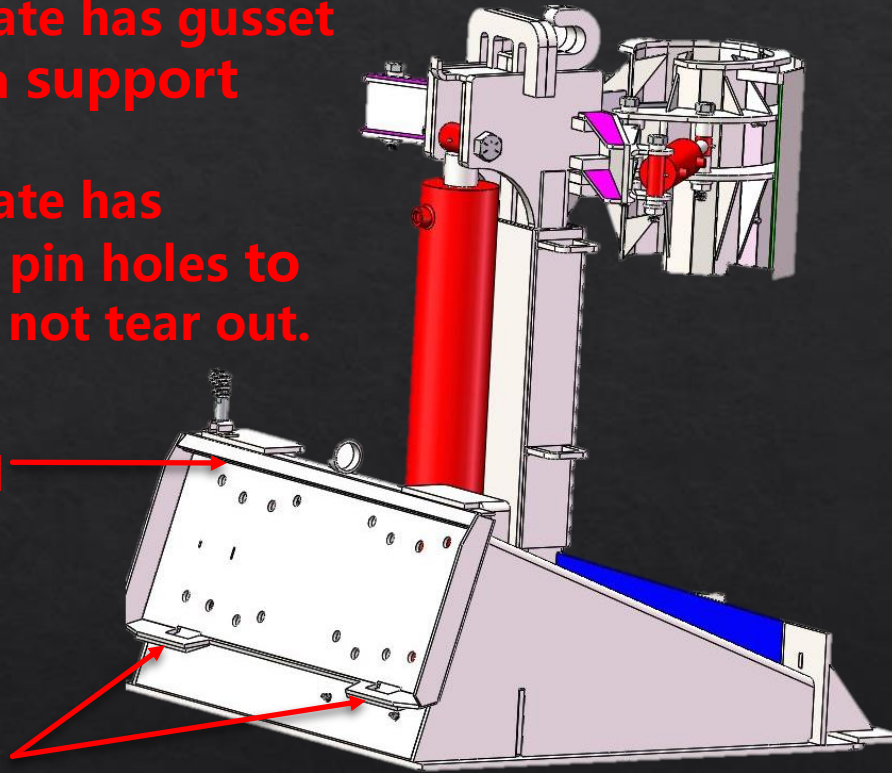
Connection Safety

Quick attach plate has gusset on top for extra support

Quick attach plate has doublers at the pin holes to insure they will not tear out.

QUICK ATTACH
GUSSET

DOUBLERS



ATTACHMENTS



Decal Safety

All units have pictorial and written caution decals.

SAFETY FEATURES



Make it EZ!

Hose Safety

- All hydraulic hoses are **Cordura protected**.
- Hoses have an operating pressure of 3,000psi
- Hoses have a burst pressure of 12,000psi.
- The spring hose unit ensures that the hydraulic line will not get pinched.
- The spring hose unit keeps the hoses out of the dirt



SPRING HOSE MOUNT

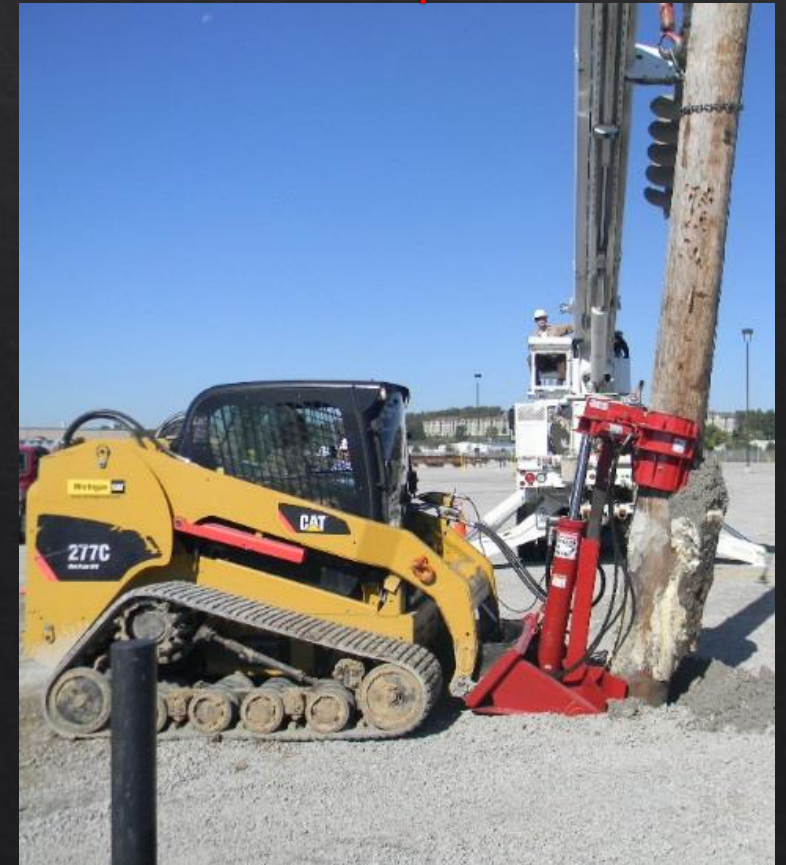
EZ SPOT UR[®]

ATTACHMENTS

Make it EZ!

Remove poles from frozen ground

Pull foamed and cleated poles





ATTACHMENTS

Make it EZ!

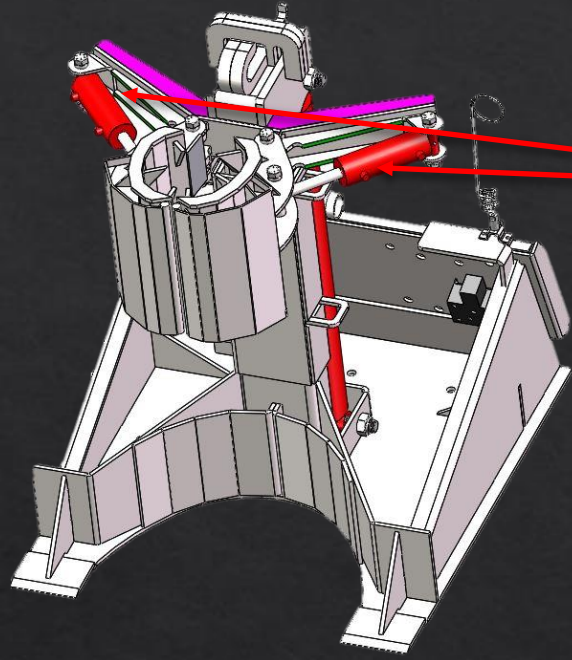
Safe and one man operational



Works in swamp terrain with bog shoes.

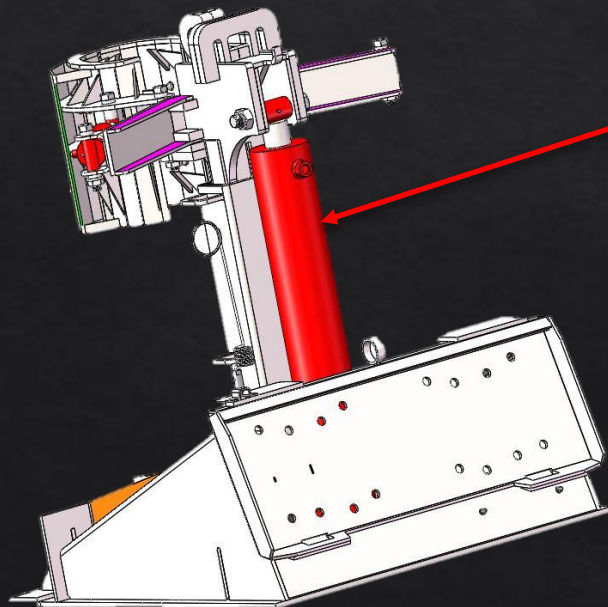


PRODUCT SPECIFICATIONS



1. CLAMP CYLINDERS

- 3"x6" CLAMP CYLINDERS
- Break out force of 21,206 lbs
- Grips pole securely



2. EXTRACTION CYLINDER

- 6"X36" EXTRACTION CYLINDER
- Break out force of 84,823 lbs
- Extracts pole from the ground



Make it EZ!

PRODUCT SPECIFICATIONS



- Universal Quick Tach' mounting system.
- Can be adapted to fit any machine
- Extracts poles up to 100 feet in length with one-man operation.
- 2200 lbs. attachment weight.
- Weight Capacity 7,000 lbs
- Jaws open from 9 inches to 31 inches.
- Rubber inserts can be purchased for removing metal or concrete poles.

PRODUCT SPECIFICATIONS



- Comes complete with $\frac{3}{4}$ " flush faced coupler
- Spring hose mount included
- Wiring harness included
- Grade 8 bolts
- All nuts flanged to prevent slippage.
- Core welded
- Composed of Grade 80 material or higher to withstand years of wear and tear.



Make it EZ!



**DOUBLE CLAMP
POLE JACK
EZ-DCPJ-001**

SAFETY FEATURES



Make it EZ!

Decal Safety

All units have pictorial and written caution decals.

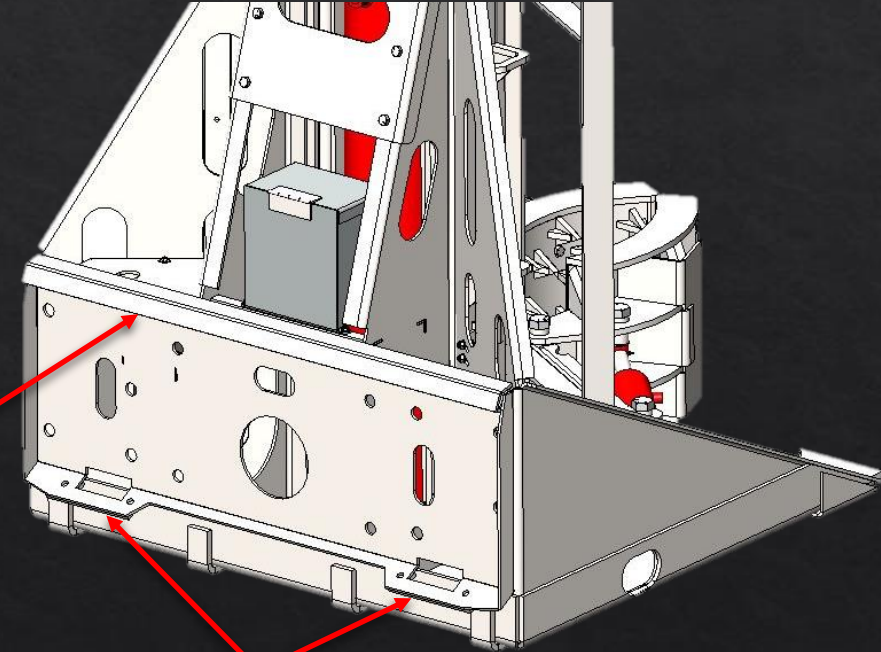


Connection Safety

Quick attach plate has gusset on top for extra support

Quick attach plate has doublers at the pin holes to insure they will not tear out.

QUICK ATTACH GUSSET



DOUBLERS

SAFETY FEATURES



Make it EZ!



SPRING HOSE MOUNT

Hose Safety

- All hydraulic hoses are Cordura protected.
- Hoses have an operating pressure of 3,000psi
- Hoses have a burst pressure of 12,000psi.
- The spring hose unit ensures that the hydraulic line will not get pinched.
- The spring hose unit keeps the hoses out of the dirt

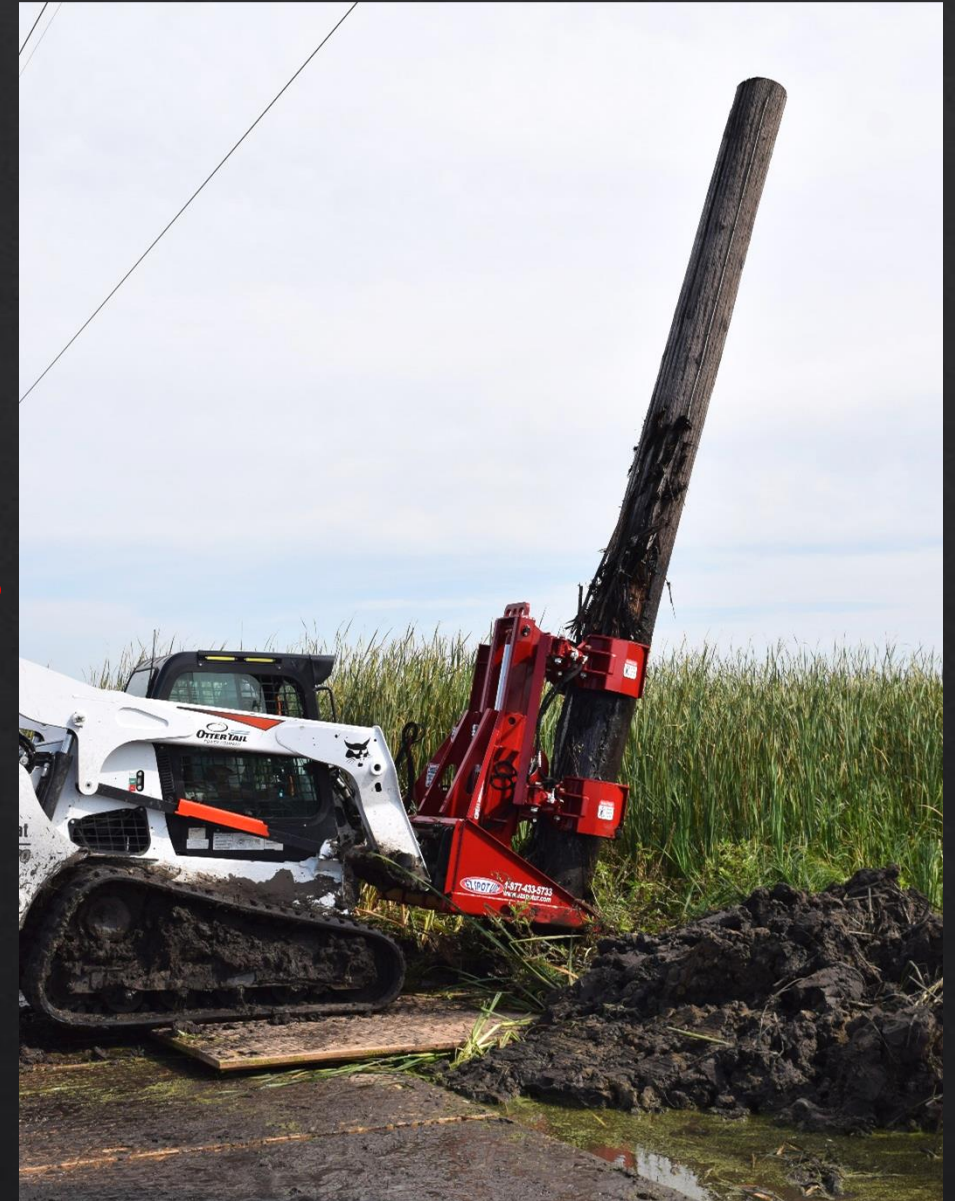
EZ SPOT UR
ATTACHMENTS

Make it EZ!



- Works in swamp terrain with bog shoes.

- Works in all types of Environments



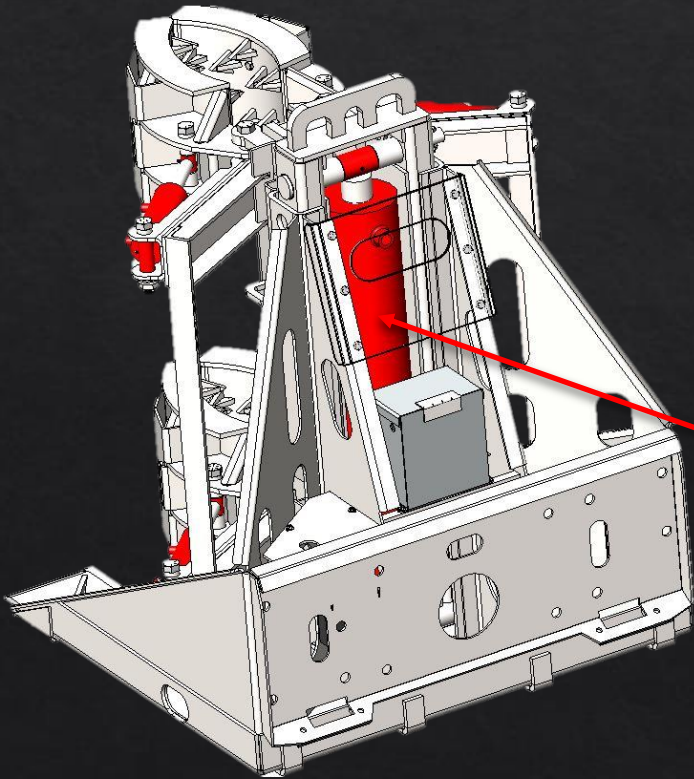
PRODUCT SPECIFICATIONS



Make it EZ!

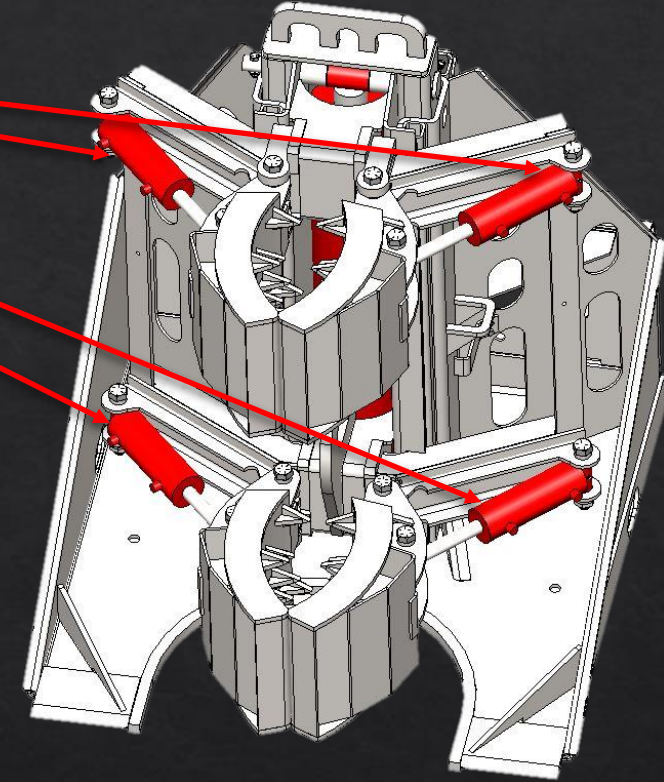
1. CLAMP CYLINDERS

- 3"x6" CLAMP CYLINDERS
- Break out force of 21,206 lbs
- Grips pole securely



2. EXTRACTION CYLINDER

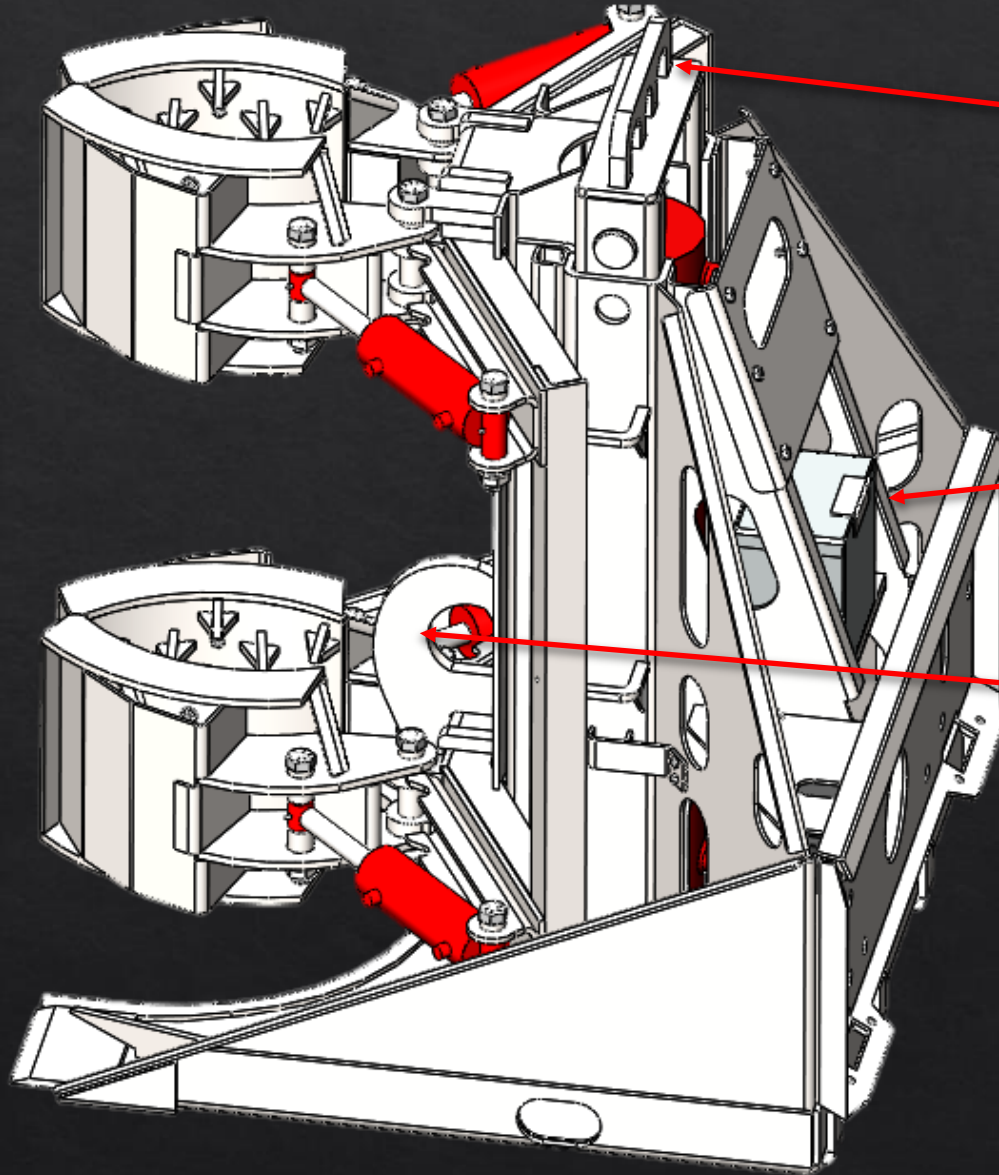
- 7"X36" EXTRACTION CYLINDER
- Break out force of 115,453 lbs
- Extracts pole from the ground



PRODUCT SPECIFICATIONS



Make it EZ!



LIFTING POINT

Lifting point for placing pole jack with a digger derrick truck

BATTERY BOX

Optional battery box with radio transmitter for use with a digger derrick truck

CHAIN HOOK

- Allows for chain to be wrapped around the pole for added grip
- Use a $\frac{3}{4}$ " Grade 100 Chain

PRODUCT SPECIFICATIONS



Make it EZ!

- Universal Quick Tach mounting system.
- Can be adapted to fit excavators, wheel loaders, telehandlers, and backhoes.
- Extracts poles up to 100 feet long
- 2,500 lb attachment weight.
- 7,000 lb weight capacity
- Jaws open from 2.7" to 31"



PRODUCT SPECIFICATIONS



- 1-7/16" 4140 pins for extraction cylinder
- 60,200 psi yield strength
- Composed of Grade 80 material or higher.
- Core welded to withstand years of wear and tear.
- Comes complete with 3/4" flush face couplers
- Spring hose mount included.
- Wiring harness included.



Make it EZ!

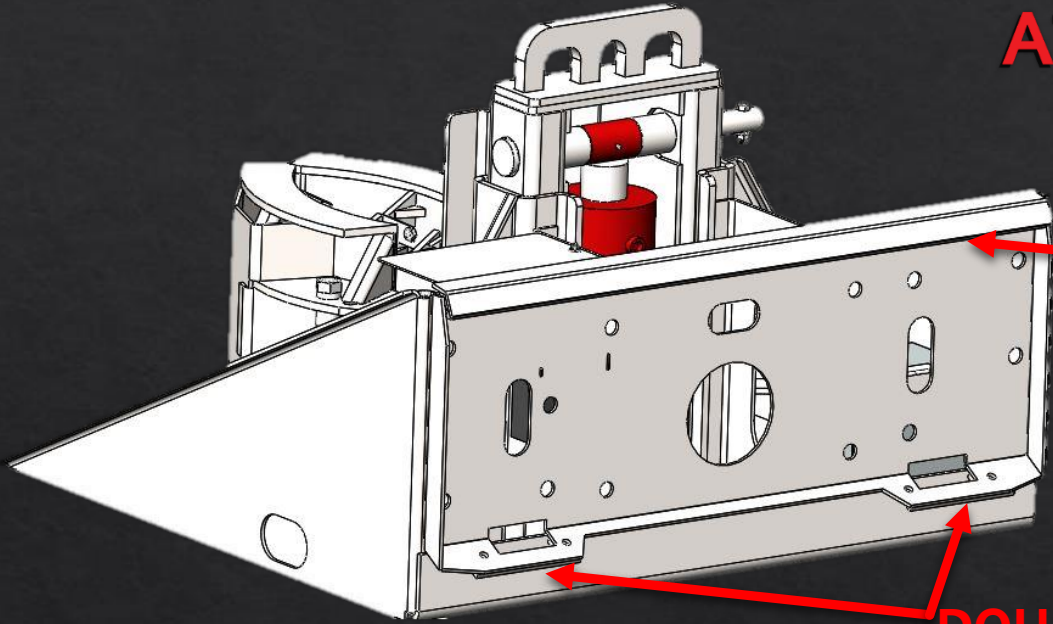
MINI POLE JACK EZ-MPJ001



SAFETY FEATURES



Make it EZ!



QUICK
ATTACH
GUSSET

DOUBLERS

Connection Safety

Quick attach plate has gusset on top for extra support

Quick attach plate has doublers at the pin holes to insure they will not tear out.



Decal Safety

All units have pictorial and written caution decals.

SAFETY FEATURES



Make it EZ!

SPRING HOSE MOUNT



Hose Safety

- All hydraulic hoses are Cordura protected.
- Hoses have an operating pressure of 3,000psi
- Hoses have a burst pressure of 12,000 psi.
- The spring hose unit ensures that the hydraulic line will not get pinched.
- The spring hose unit keeps the hoses out of the dirt



**PULL UTILITY
POLES
&
TRANSMISSION
POLES**



EZ SPOT UR
ATTACHMENTS *Make it EZ!*

SAFE

FAST



ONE MAN OPERATIONAL



EZ SPOT UR
ATTACHMENTS

Make it EZ!

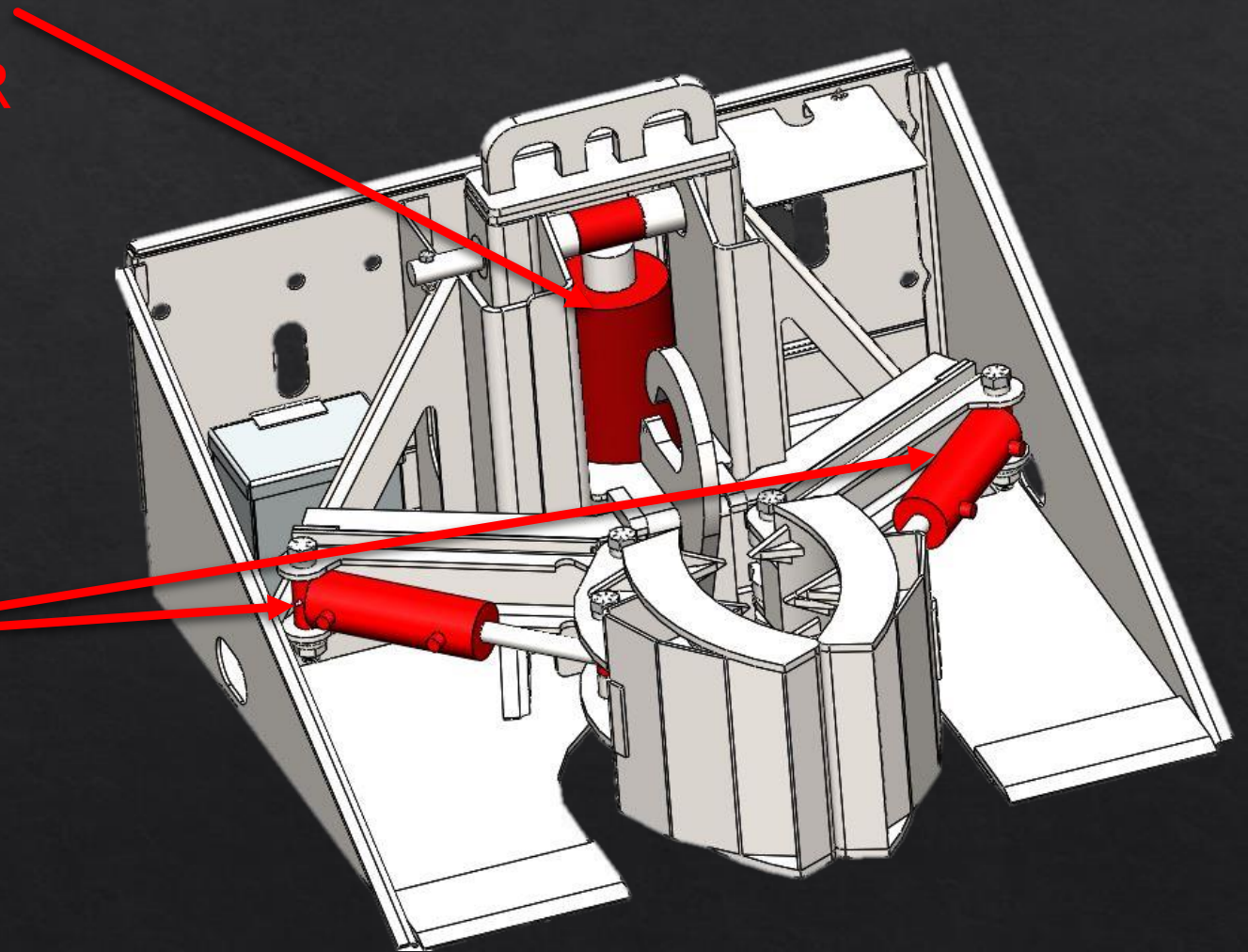
PRODUCT SPECIFICATIONS



Make it EZ!

1. EXTRACTION CYLINDER
 - 6"X12" EXTRACTION CYLINDER
 - Break out force of 84,823 lbs
 - Extracts pole from the ground

2. CLAMP CYLINDERS
 - 3"x6" CLAMP CYLINDERS
 - Break out force of 21,206 lbs
 - Grips pole securely



PRODUCT SPECIFICATIONS



Make it EZ!

LIFTING POINT

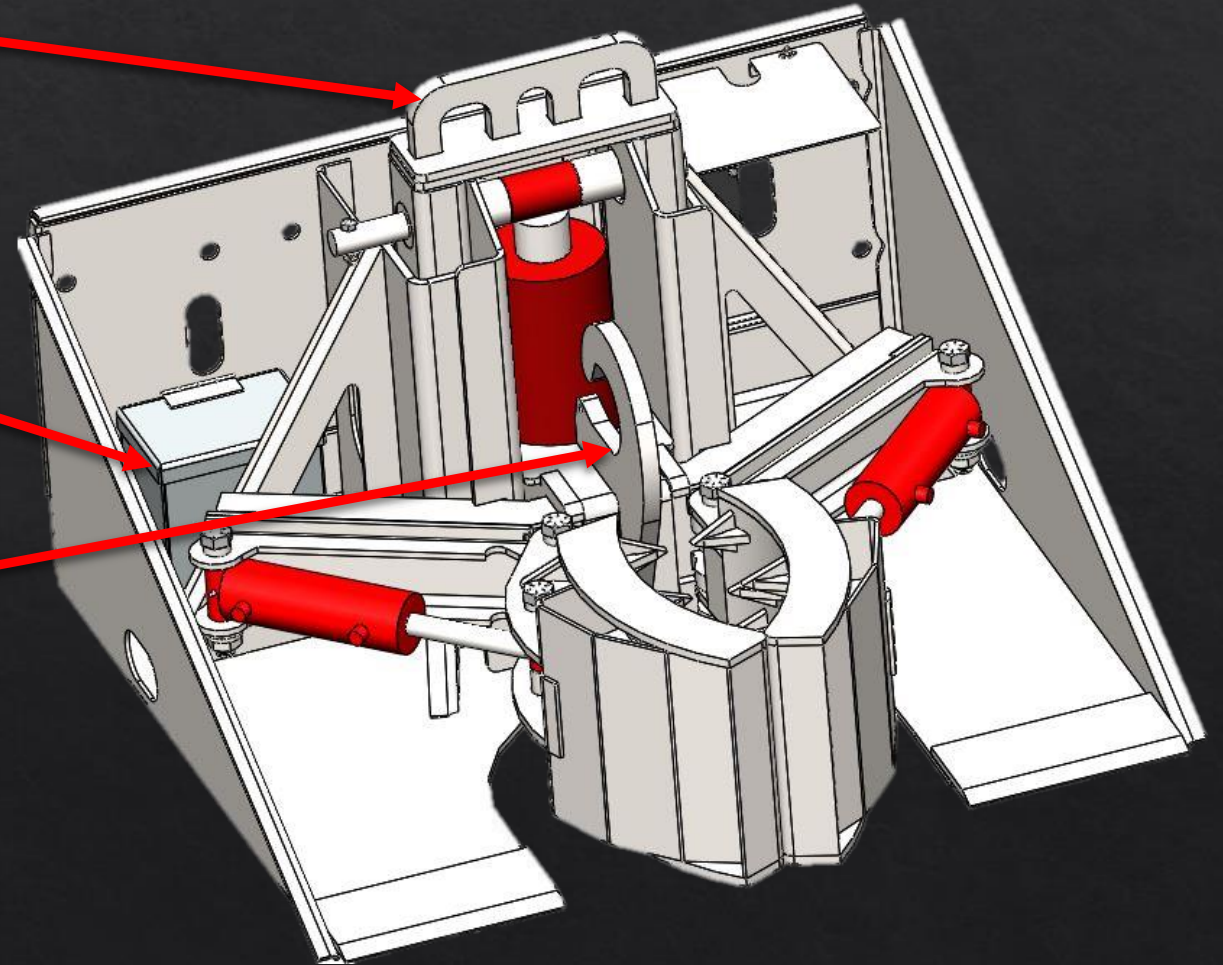
Lifting point for placing pole jack with a digger derrick truck

BATTERY BOX

Optional battery box with radio transmitter for use with a digger derrick truck

CHAIN HOOK

- Allows for chain to be wrapped around the pole for added grip
- Use a Grade 80 Chain or higher



PRODUCT SPECIFICATIONS



- Universal Quick Tach mounting system.
- Can be adapted to fit any machine.
- 1280 lbs. attachment weight.
- Jaws open to 31 inches
- Minimum pole diameter is 5 inches
- Stand-alone unit
- Rubber inserts can be purchased for removing metal and concrete poles.



PRODUCT SPECIFICATIONS



Make it EZ!



- 1-7/16" 4140 pins for extraction cylinder
- 60,200 psi yield strength
- Comes complete with flush face coupler
- Spring hose mount included
- Wiring harness included.
- Composed of Grade 80 material or higher
- Core welded to withstand years of wear and tear.

EZ SPOT UR[®]
ATTACHMENTS

Make it EZ!

TRAILER



PRODUCT SPECIFICATIONS



Make it EZ!

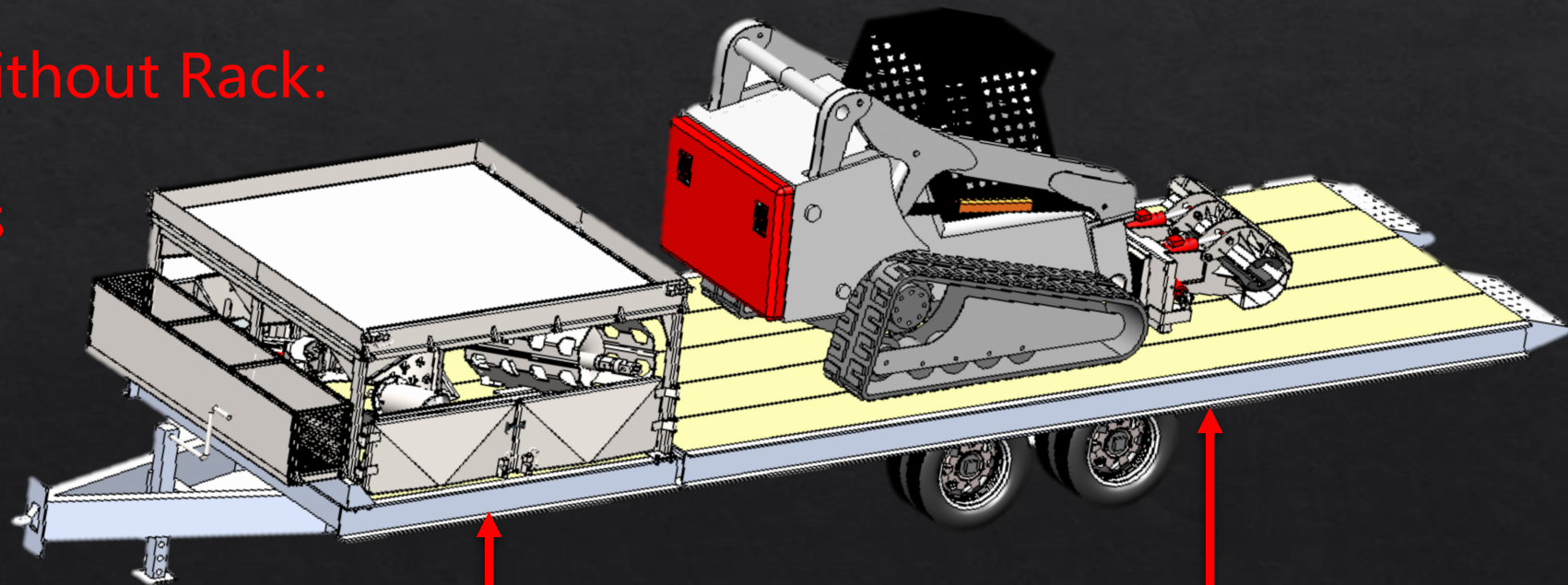
- 20-foot trailer
- 8-foot stationary platform with rack
- 102 inches wide

Empty Trailer Weight Without Rack:

Weight – 6,700 lbs

Capacity – 18,800 lbs

GVWR – 25,000 lbs



8-Foot Stationary

20-Foot Tilt

PRODUCT SPECIFICATIONS

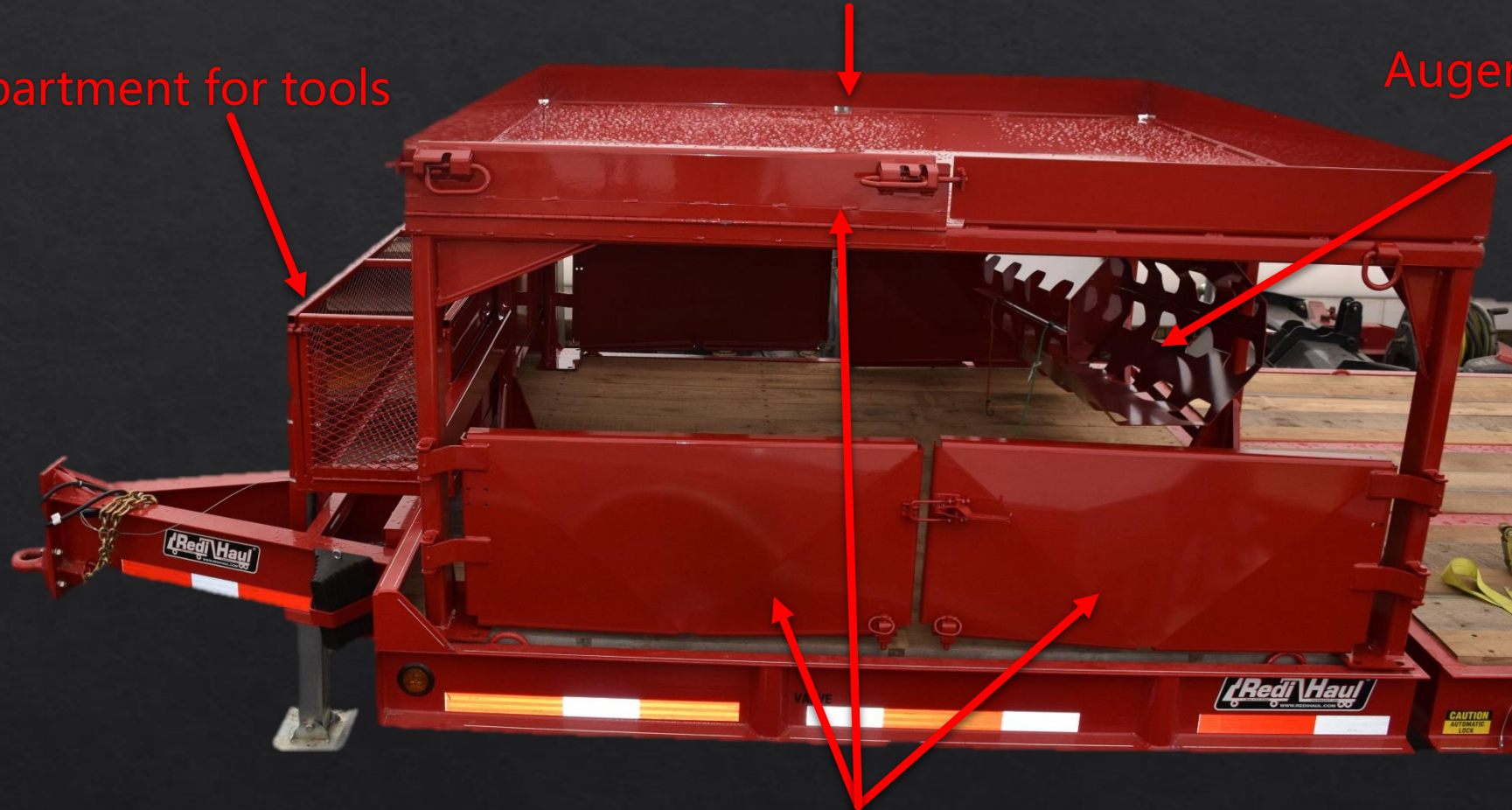


Make it EZ!

Top rack for large attachments

Auger bit enclosure

Front compartment for tools



Doors to keep items from falling off trailer



Make it EZ!

ATTACHMENTS

**ALL EZ SPOT UR
ATTACHMENTS ARE
PROUDLY MADE IN THE USA**

**ALL EZ SPOT UR ATTACHMENTS
COME WITH A
ONE YEAR WARRANTY**

