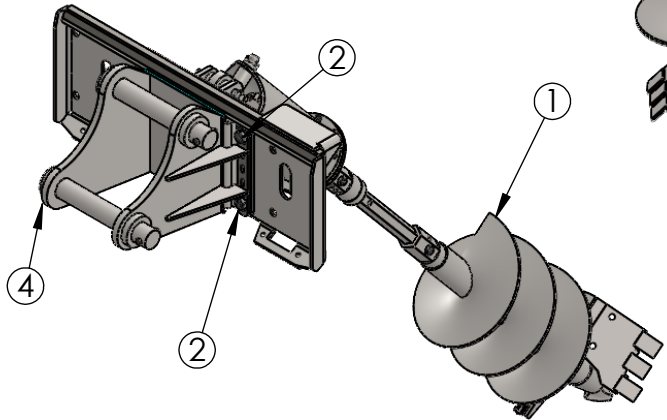
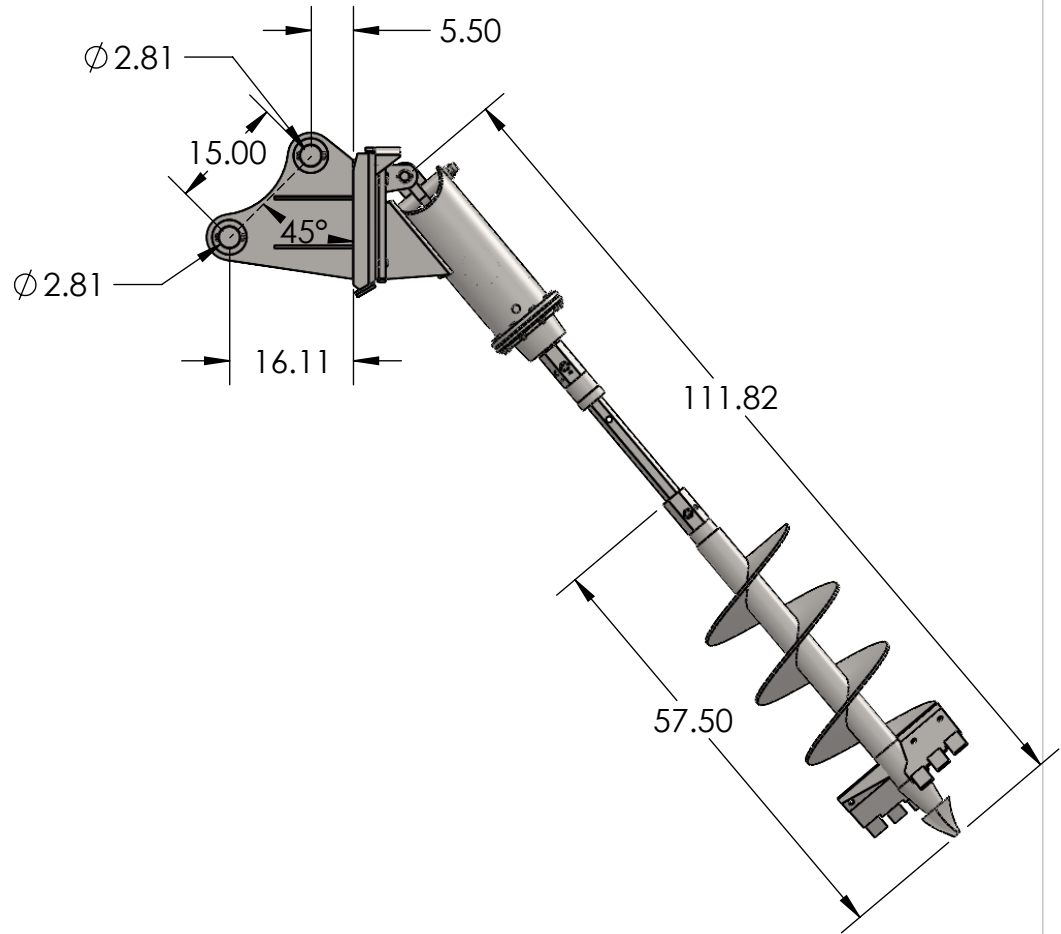
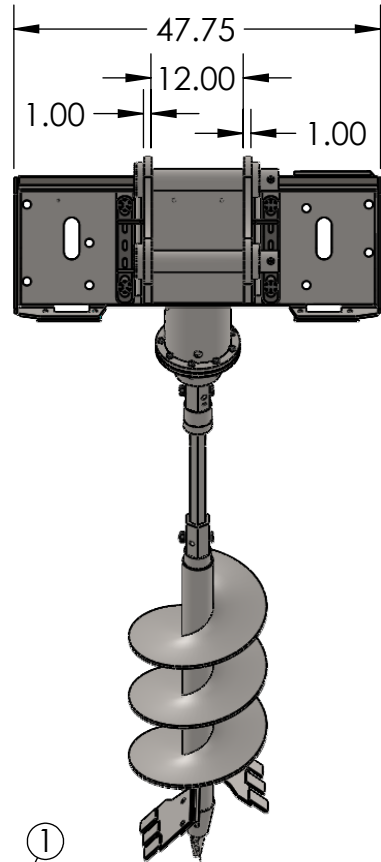


ITEM NO.	PART NUMBER	DESCRIPTION	QTY.
1	AGR-01-018	AUGER ASSEMBLY	1
2	FA15465	1"-8 x 3" GRADE 8 YELLOW ZINC HEX CAP SCREW	4
3	FA0166995	1"-8 GRADE F ZINC FINISH STEEL FLANGE TOP LOCK NUT	4
4	VECR-01-004	VOLVO MOUNT ECR-145CL WITH PINS	1



UNLESS OTHERWISE SPECIFIED:		NAME	DATE
DIMENSIONS ARE IN INCHES		DRAWN	BEVAN 8/19/2021
TOLERANCES:		CHECKED	
FRACTIONAL ±		ENG APPR.	
ANGULAR: MACH ± BEND ±		MFG APPR.	
TWO PLACE DECIMAL ±		Q.A.	
THREE PLACE DECIMAL ±		COMMENTS:	
INTERPRET GEOMETRIC TOLERANCING PER:			
MATERIAL			
FINISH			
NEXT ASSY	USED ON		
APPLICATION		DO NOT SCALE DRAWING	

EZ-SPOT-UR

TITLE:
VOLVO MOUNT ECR-145CL
ON THE AUGER

SIZE A	DWG. NO. VECR-01-007-A - ECR-145CL MOUNT ON THE AUGER	REV
------------------	---	-----

SCALE: 1:25 WEIGHT: 895.68 LBS SHEET 1 OF 1

PROPRIETARY AND CONFIDENTIAL

THE INFORMATION CONTAINED IN THIS DRAWING IS THE SOLE PROPERTY OF EZ-SPOT-UR. ANY REPRODUCTION IN PART OR AS A WHOLE WITHOUT THE WRITTEN PERMISSION OF EZ-SPOT-UR IS PROHIBITED.