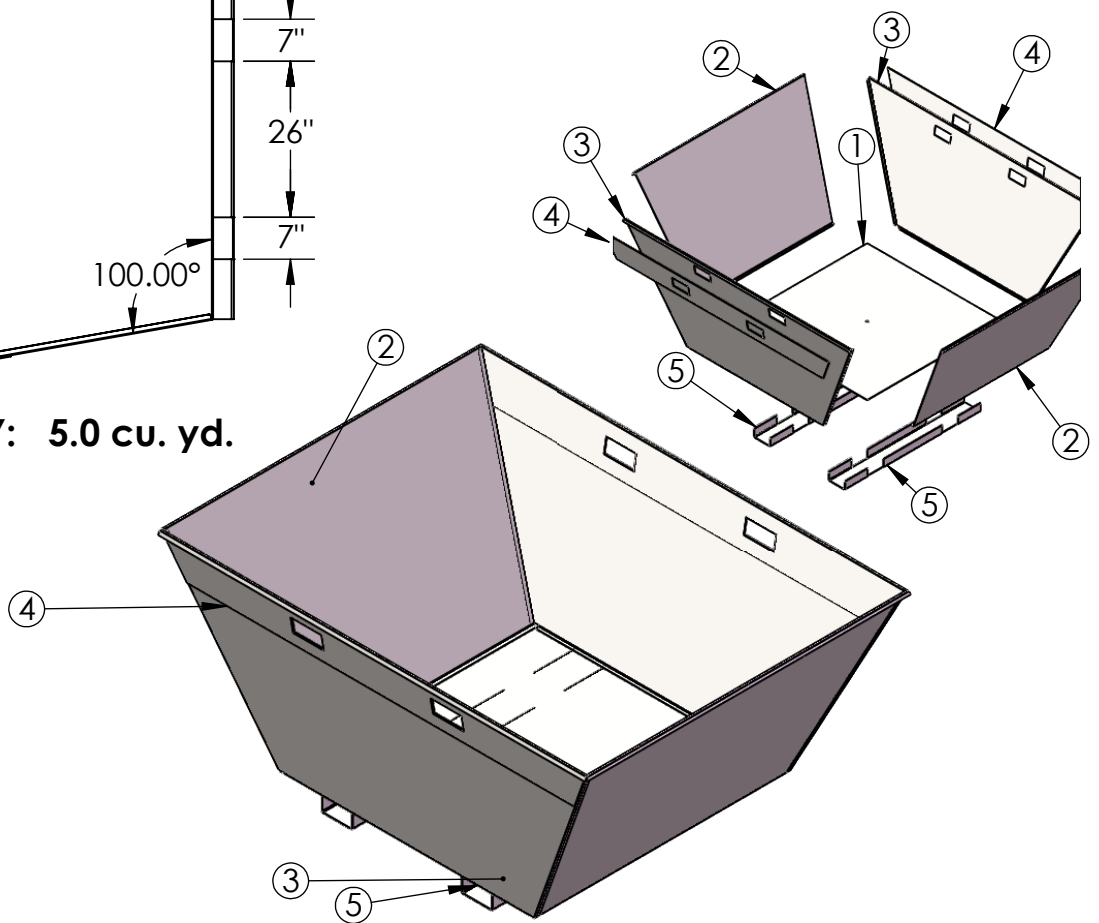


CAPACITY: 5.0 cu. yd.

ITEM NO.	PART NUMBER	DESCRIPTION	QTY.
1	WB-00-0034	BOTTOM OF 4.5, & 6 CU. YARD BIN	1
2	WB-00-0035	SIDE FOR 5 CU. YARD BIN	2
3	WB-00-0036	SIDE FOR 5 CU. YARD BIN	2
4	WB-00-0037	POCKET DOUBLER FOR 5 CU. YARD BIN	2
5	WB-00-0038	FORK POCKET FOR 4, 5, & 6 CU. YARD BIN	2



REVISIONS			
REV.	DESCRIPTION	DATE	APPROVED
A	ADJUSTED SIDES SO THEY ARE ALL ANGLED OUT AT THE TOP SO BINS STACK BETTER. CHANGED HEIGHT FROM 60.5" TO 56.19" TO KEEP CAPACITY AT 5 CU. YD.	8/2/2016	BEVAN
B	SHORTENED HEIGHT FROM 56.19 TO 42.75. CHANGED BOTTOM FROM 54X54 TO 60X60. THEN ADJUSTED SIDES TO KEEP CAPACITY AT 5 CU. YD.	8/4/2016	BEVAN

UNLESS OTHERWISE SPECIFIED:	NAME	DATE
DIMENSIONS ARE IN INCHES	BEVAN	2/2/2012
TOLERANCES:		
FRACTIONAL ±		
ANGULAR: MACH ±		
BEND ±		
TWO PLACE DECIMAL ±		
THREE PLACE DECIMAL ±		
INTERPRET GEOMETRIC TOLERANCING PER:		
MATERIAL		
FINISH		
DO NOT SCALE DRAWING		

DRAWN	NAME	DATE
CHECKED	BEVAN	2/2/2012
ENG APPR.		
MFG APPR.		
Q.A.		
COMMENTS:		

EZ-SPOT-UR		
TITLE:		
5 CU. YARD WASTE BIN		
SIZE	DWG. NO.	REV
A	WB-01-0006 - 5 CU YD WASTE BIN	B
SCALE: 1:32	WEIGHT: 685.85 LBS	SHEET 1 OF 1

PROPRIETARY AND CONFIDENTIAL

THE INFORMATION CONTAINED IN THIS DRAWING IS THE SOLE PROPERTY OF EZ-SPOT-UR. ANY REPRODUCTION IN PART OR AS A WHOLE WITHOUT THE WRITTEN PERMISSION OF EZ-SPOT-UR IS PROHIBITED.

NEXT ASSY	USED ON
APPLICATION	DO NOT SCALE DRAWING