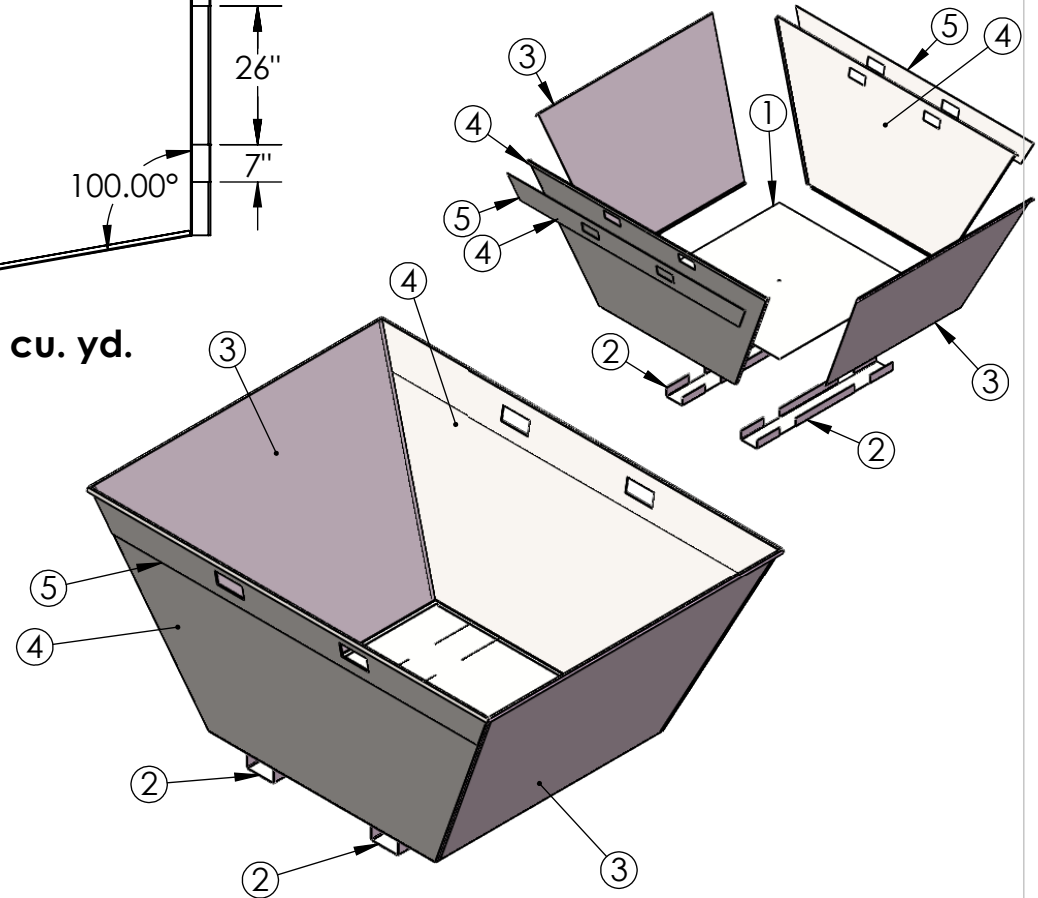
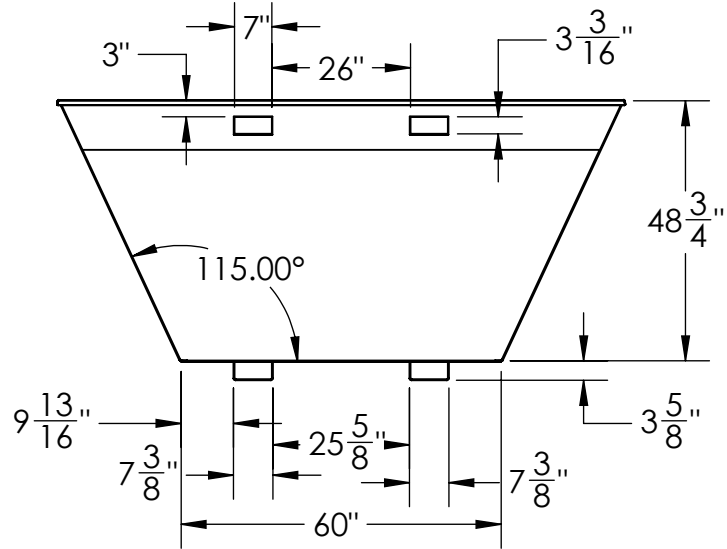


ITEM NO.	PART NUMBER	DESCRIPTION	QTY.
1	WB-00-0034	BOTTOM OF 4.5, & 6 CU. YARD BIN	1
2	WB-00-0038	FORK POCKET FOR 4, 5, & 6 CU. YARD BIN	2
3	WB-00-0043	SIDE FOR 6 CU. YARD BIN	2
4	WB-00-0044	SIDE FOR 6 CU. YARD BIN	2
5	WB-00-0045	POCKET DOUBLER FOR 6 CU. YARD BIN	2

**CAPACITY: 6.0 cu. yd.**



UNLESS OTHERWISE SPECIFIED:

DIMENSIONS ARE IN INCHES  
 TOLERANCES:  
 FRACTIONAL ±  
 ANGULAR: MACH ± BEND ±  
 TWO PLACE DECIMAL ±  
 THREE PLACE DECIMAL ±

INTERPRET GEOMETRIC  
 TOLERANCING PER:

MATERIAL

FINISH

DO NOT SCALE DRAWING

	NAME	DATE
DRAWN	BEVAN	8/2/2016
CHECKED		
ENG APPR.		
MFG APPR.		
Q.A.		

COMMENTS:

**EZ-SPOT-UR**

TITLE:

**6 CU. YARD WASTE BIN**

SIZE	DWG. NO.	REV
<b>A</b>	WB-01-0008 - 6 CU YD WASTE BIN	<b>A</b>

SCALE: 1:36 WEIGHT: 759.34 LBS SHEET 1 OF 1

REVISIONS			
REV.	DESCRIPTION	DATE	APPROVED
A	SHORTENED HEIGHT FROM 64.5 TO 48.75. CHANGED BOTTOM FROM 54X54 TO 60X60. THEN ADJUSTED SIDES TO KEEP CAPACITY AT 6 CU. YD.	8/4/2016	BEVAN

**PROPRIETARY AND CONFIDENTIAL**

THE INFORMATION CONTAINED IN THIS DRAWING IS THE SOLE PROPERTY OF EZ-SPOT-UR. ANY REPRODUCTION IN PART OR AS A WHOLE WITHOUT THE WRITTEN PERMISSION OF EZ-SPOT-UR IS PROHIBITED.

NEXT ASSY	USED ON	APPLICATION