

Wire Reel Specifications

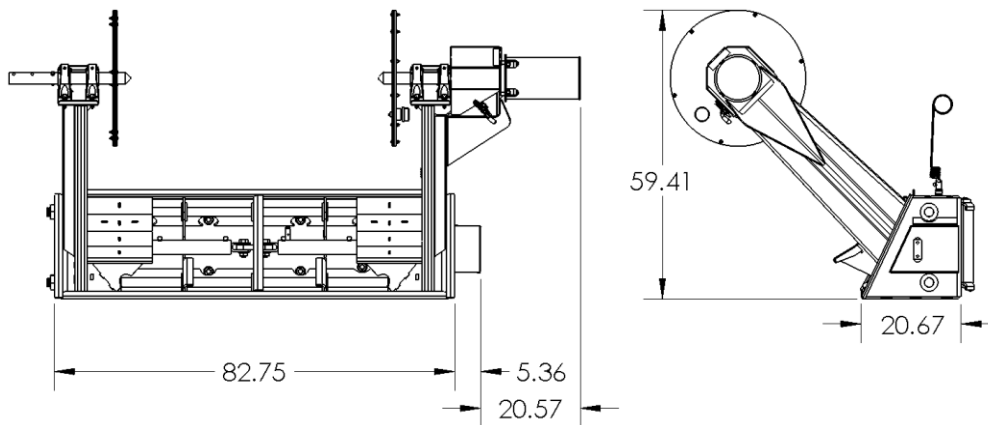
Hydraulic Recommendations..... 20-30 GPM @ 3000 psi
 Hydraulic Connection Type..... ¾" Flush Face Coupling
 Rated Burst Pressure for Hydraulic Connections..... 15 ksi (103.4 MPa)
 Spool Width³..... 24"-50" (0.61-1.27 Meters)
 Hydraulic Cylinder Information..... See Chart Below

Type of Cylinder	Quantity	Bore	Rod Diameter	Stroke	Push ¹	Pull ¹
Clamp	2	2.5 in 63.5 mm	1.25 in 31.8 mm	12.5 in 317.5 mm	14,726 lbs 65.5 kN	11,045 lbs 49.1 kN

Hydraulic Motor..... See Chart Below

Port Size	Displacement	Flow	Pressure	Speed	Torque
7/8-14 UNF-2B SAE	18.7 in ³ /r	14 GPM	2250 ΔPSI	152 RPM	5730 lb-in

Mass of Wire Reel..... 1945 lbs (882 kg)
 Mounting Method..... Universal Quick Attach (Customizable)
 Basic Dimensions..... See Picture Below (Dimensions in Inches)



1. Push and Pull are based on 3000 psi at 20-30 GPM
2. Max Weight Capacity = Machine Operating Capacity – Weight of Attachment
Should not exceed the rated weight capacity of the attachment
3. An insert is necessary to clamp a spool smaller than 24" in width