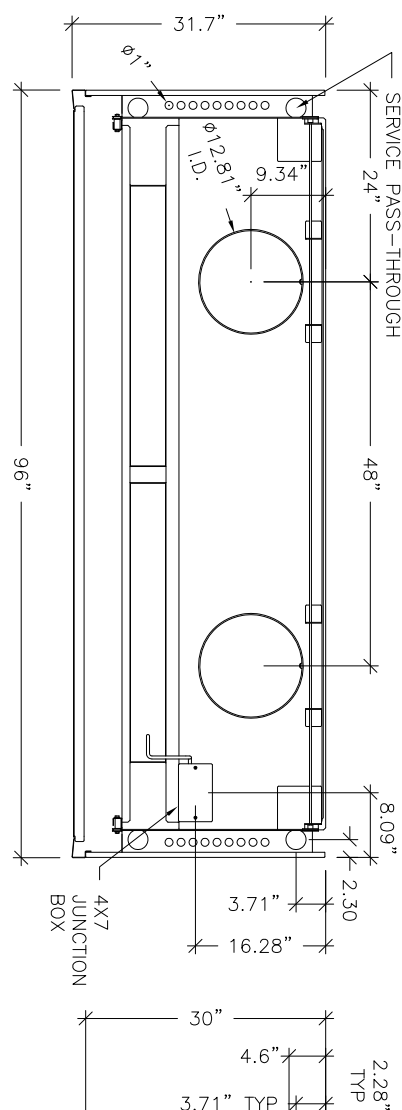


89260-056

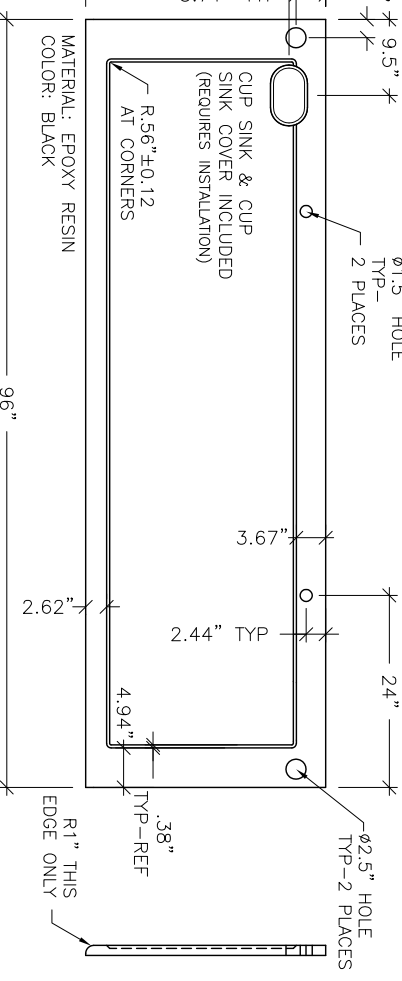
8' PROTECTOR PREMIER LABORATORY HOOD

NOMINAL WIDTH	TOTAL EXHAUST CFM & STATIC PRESSURE	100 FPM S.P.	80 FPM S.P.	60 FPM S.P.
8 FEET	@ 18" SASH OPENING (62.5% OPEN)	1025	820	615
8 FEET	@ 28" SASH OPENING (100% OPEN)	1640	1310	985

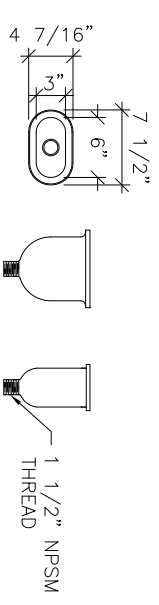
NOTE: SASH STOP INCLUDED AT 18" POSITION.



TOP VIEW
SCALE: 1/2" = 1'-0"



89260-072 WORKSURFACE
SCALE: 1/2" = 1'-0"



MATERIAL: POLYPROPYLENE
COLOR: BLACK
SEPARATE-REQUIRES INSTALLATION
CUP SINK
SCALE: NTS

GENERAL DESCRIPTIONS

EXTERIOR SUPERSTRUCTURE

DOUBLE WALL CONSTRUCTION
18 GAUGE COLD ROLLED STEEL
COLOR: GLACIER WHITE

INTERIOR SUPERSTRUCTURE

GALVANIZED STEEL (STANDARD)
LEFT / RIGHT FACIA
POWDER COATED STEEL
COLOR: GLACIER WHITE

LINER MATERIAL

MOULDED FIBERGLASS REINFORCED POLYESTER RESIN

SIDE PANELS

BOTH SIDES - REMOVABLE
COLOR: GLACIER WHITE

ELECTRICAL FIXTURES

FLUORESCENT LIGHT AND TUBES W/ SWITCH
(2) 115V / 60HZ / 20A GFCI DUPLEXES
ADDITIONAL ELECTRICAL FIXTURES ORDERED SEPARATELY TO BE INSTALLED AND WIRED BY OTHER

WIRING

FUME HOOD WIRED AT FACTORY
ELECTRICAL CONNECTION MADE INSIDE 4X7 JUNCTION BOX
100-115V, 50/60 HZ
OVERLOAD RELAY THERMAL UNIT (P-HEATER) NOT PROVIDED WITH HOOD

SASH

VERTICAL TRAVEL
TEMPERED SAFETY GLASS
COUNTER WEIGHTED AND BALANCED
PULLEY SYSTEM
SASH STOP @ 18"

BAFFLES

MOULDED FIBERGLASS REINFORCED POLYESTER RESIN

INTERIOR ACCESS PANELS

NONE

CORNER POST WITH ACCESS COVERS

RIGHT AND LEFT SIDES
18 GAUGE COLD ROLLED STEEL

AIR FOIL

COLD ROLLED STEEL
POWDER COAT FINISH

EXHAUST CONNECTION

MOULDED FIBERGLASS 12.81" ID

WORKSURFACE

ORDERED SEPARATELY

CUPSINK

INCLUDED WITH WORKSURFACE

CABINETS

ORDERED SEPARATELY - SEE ELEVATION(S)

REMOTE BLOWER

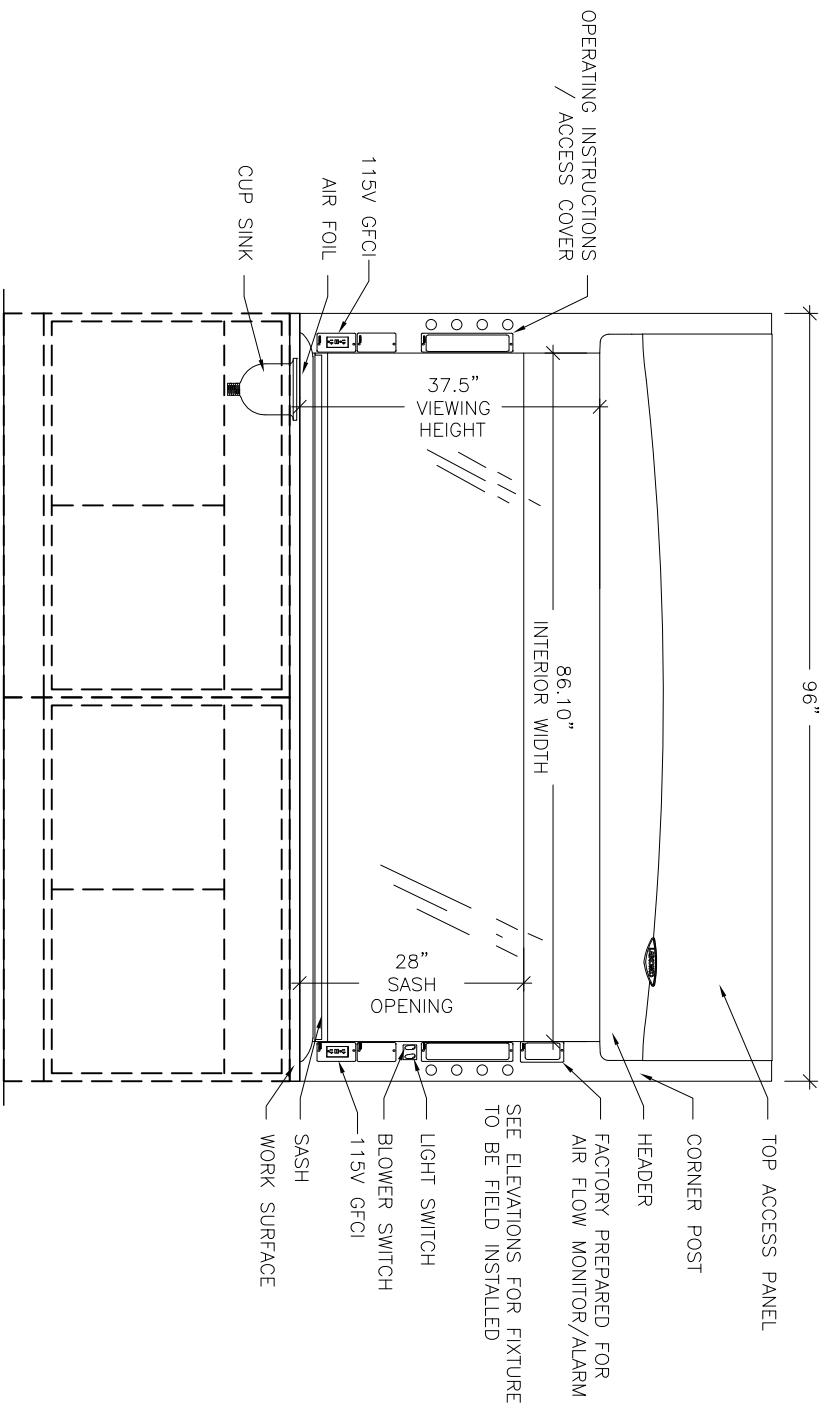
ORDERED SEPARATELY

ALARM / MONITOR

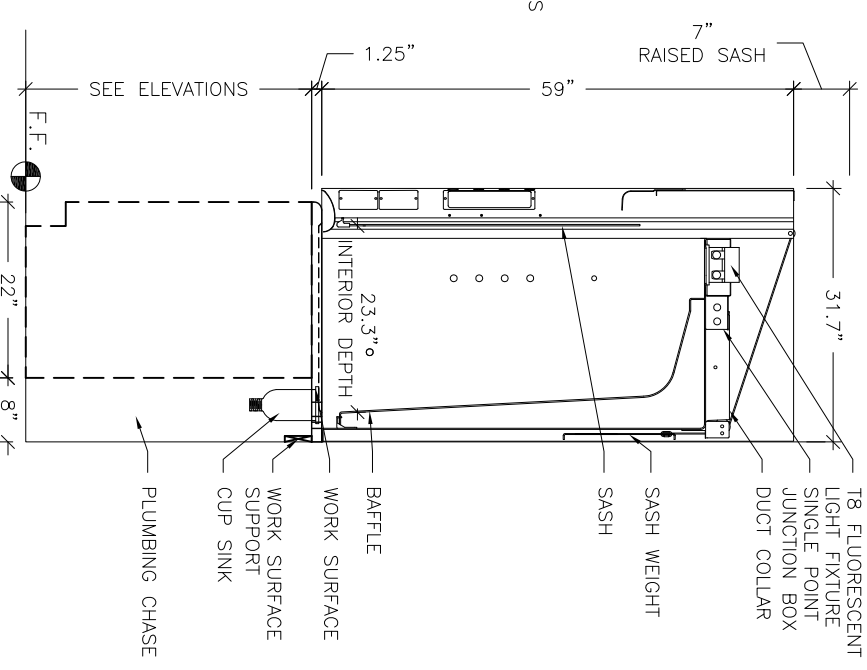
ORDERED SEPARATELY AS REQUIRED

PLUMBING

SERVICE FIXTURE KITS ORDERED SEPARATELY AS REQUIRED TO BE INSTALLED AND PLUMBED BY OTHER



FRONT VIEW
SCALE: 1/2" = 1'-0"



SIDE VIEW
SCALE: 1/2" = 1'-0"