

It Can't Happen Here

Technical Drawings

Director: Wendy-Marie Martin
Technical Director: Ian Morse
Scenic Designer: Richard Jackson

Cuesta College
Spring 2018 Drama Production

Sheet Index

No. Mobile Projection Surfaces

M1 Modular Base
M2 Slim Modular Base
M3 Modular Base Sizes Used

No. Podium

P1 Podium

No. Small Parts and Assemblies

S1 Small Parts and Assemblies

No. Map

MP1 Map Front Elevation
MP2 Map Rear Elevation
MP3 Map Support Detail
MP4 Sample Foam Layout

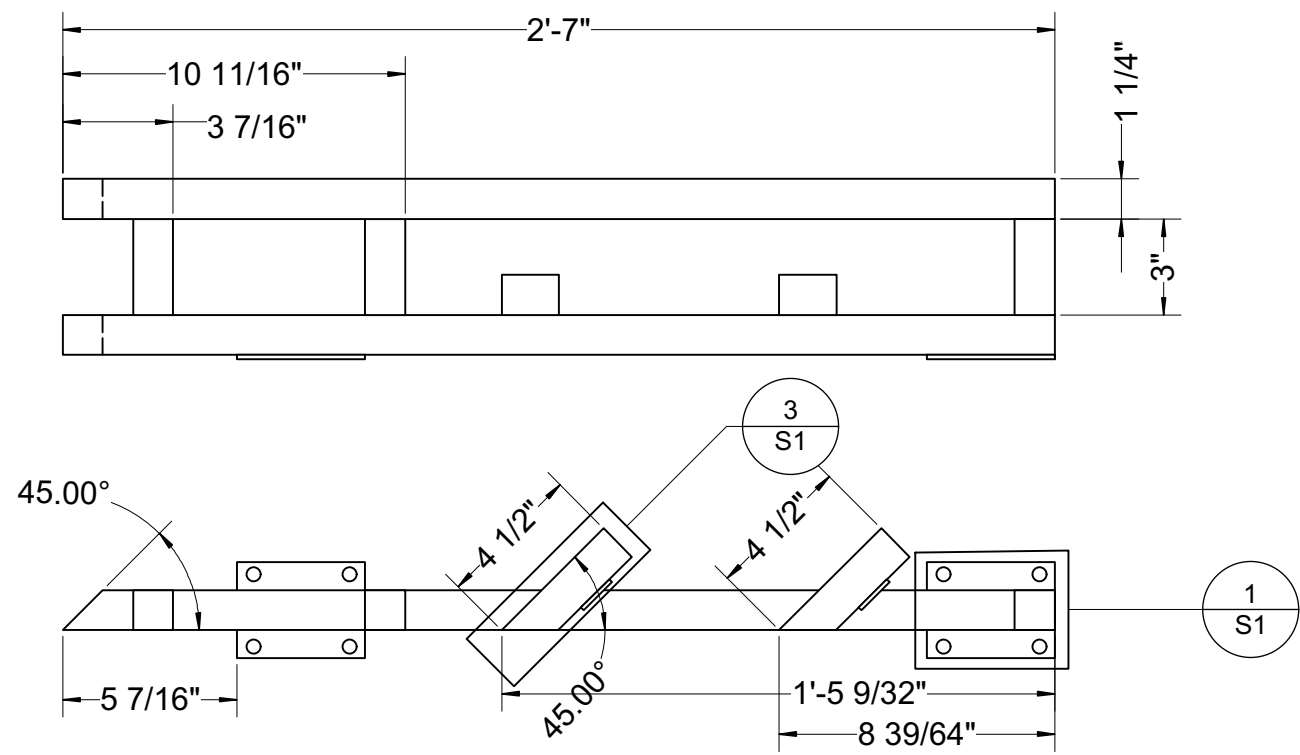
General Notes

1. All Materials are 1 1/4"
mild steel square tube
unless otherwise
specified.

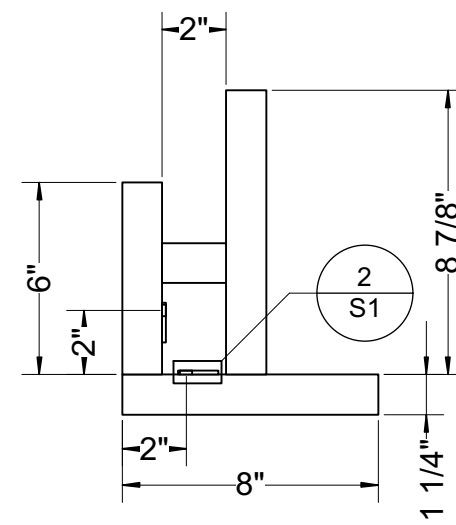
Date: 5/18/18

A

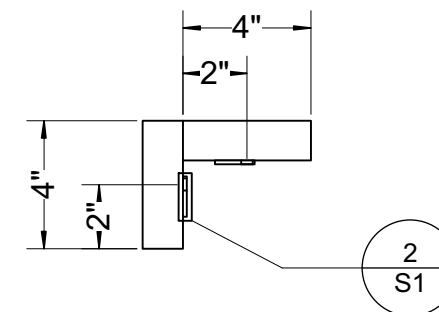
A



1 Base Caster Section
Scale: 2" = 1'-0"



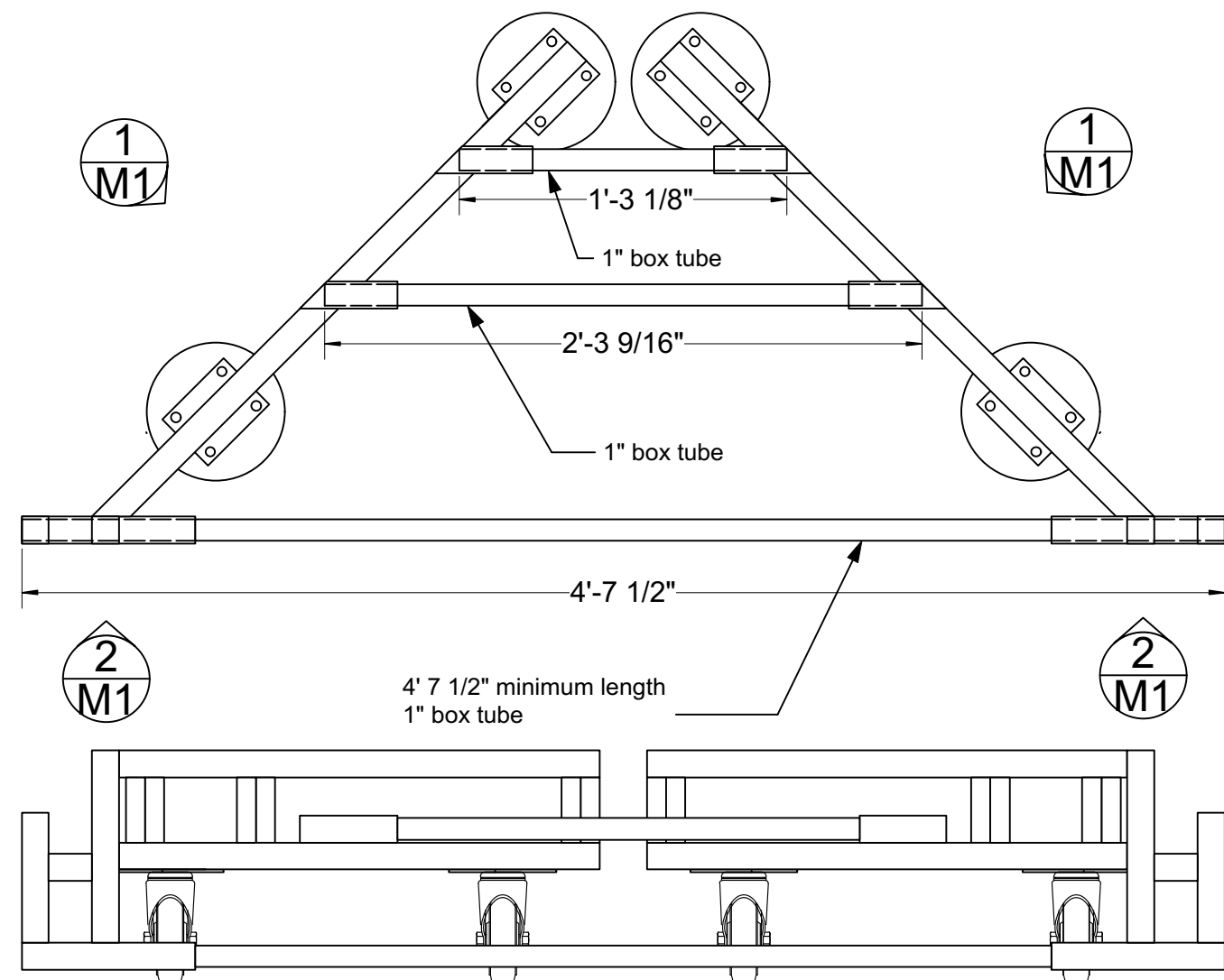
2 Base Front
Scale: 2" = 1'-0"



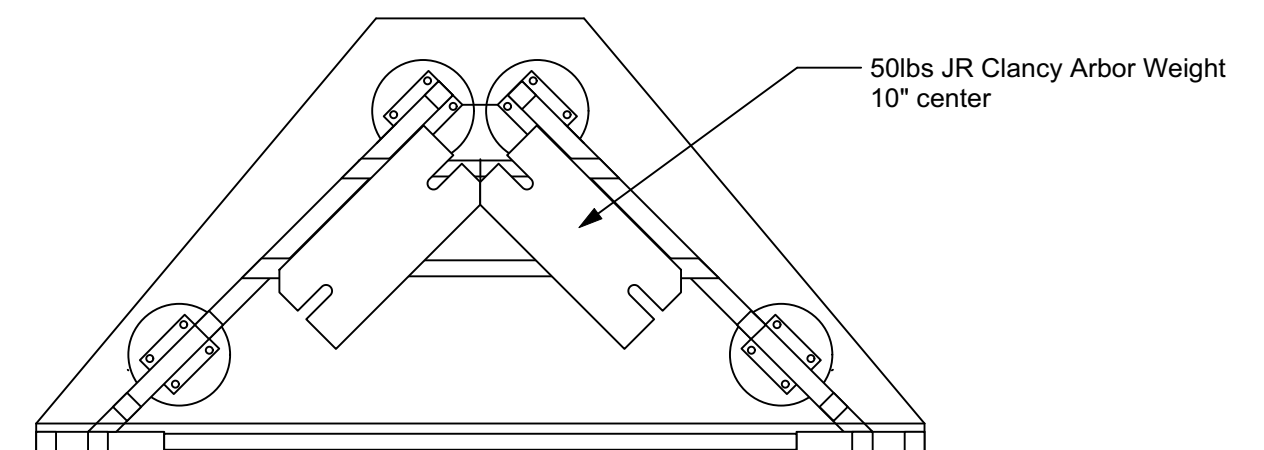
3 Panel Top Corner
Scale: 2" = 1'-0"

B

B



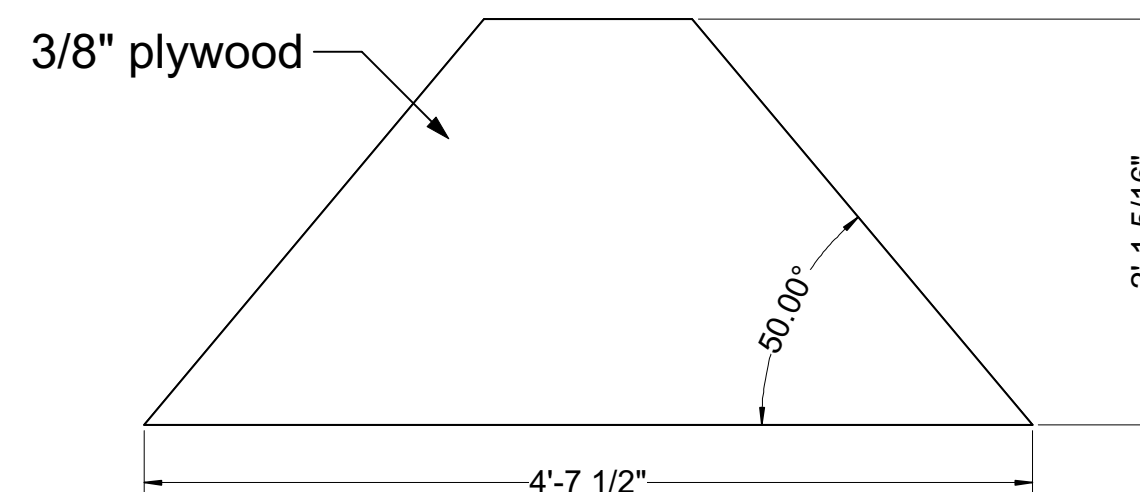
4 Full Base Assembly
Scale: 1 1/2" = 1'-0"



6 Assembly with Platform and Counterweight
Scale: 1" = 1'-0"

C

C

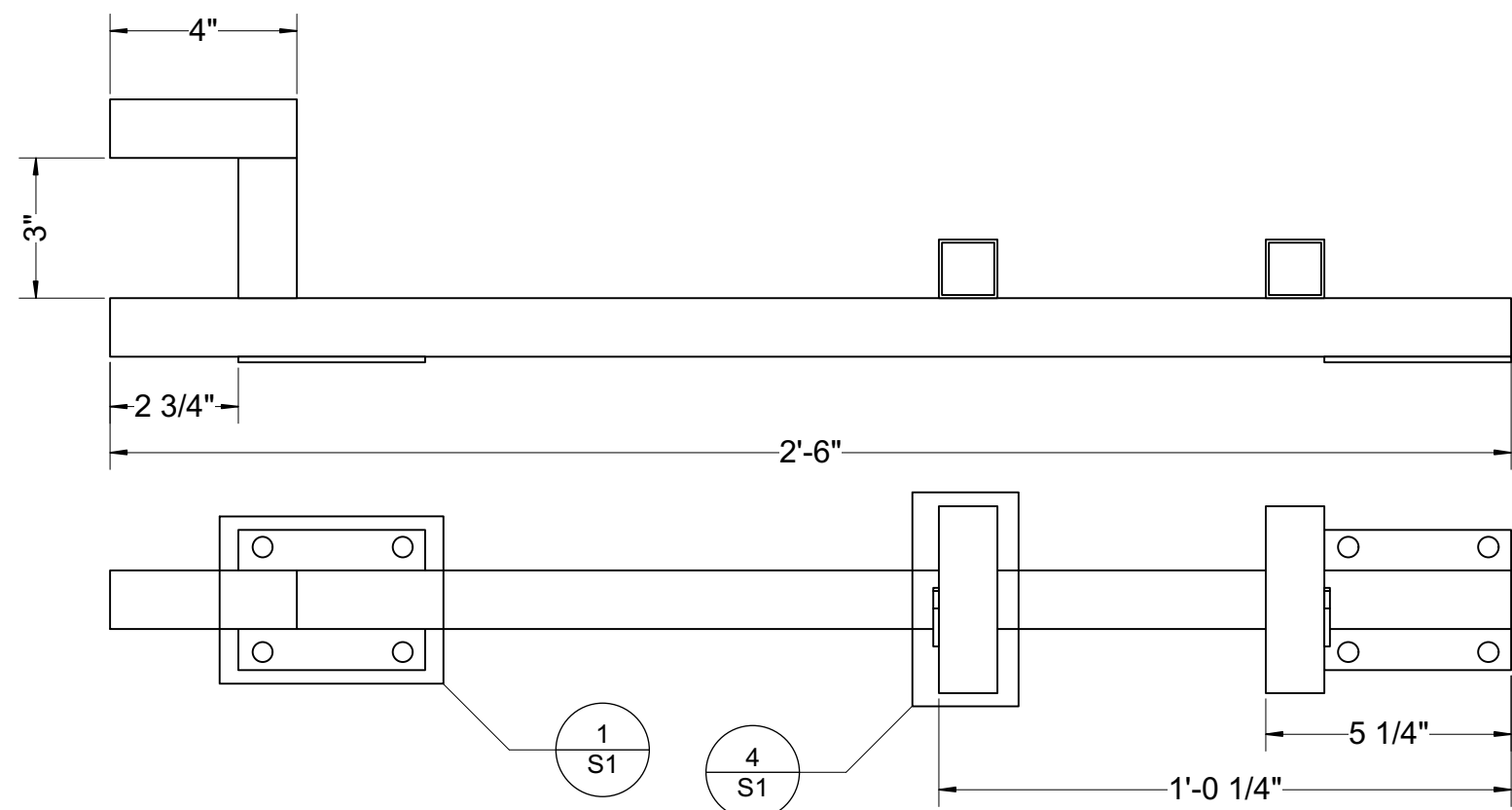


5 Back Platform
Scale: 1" = 1'-0"

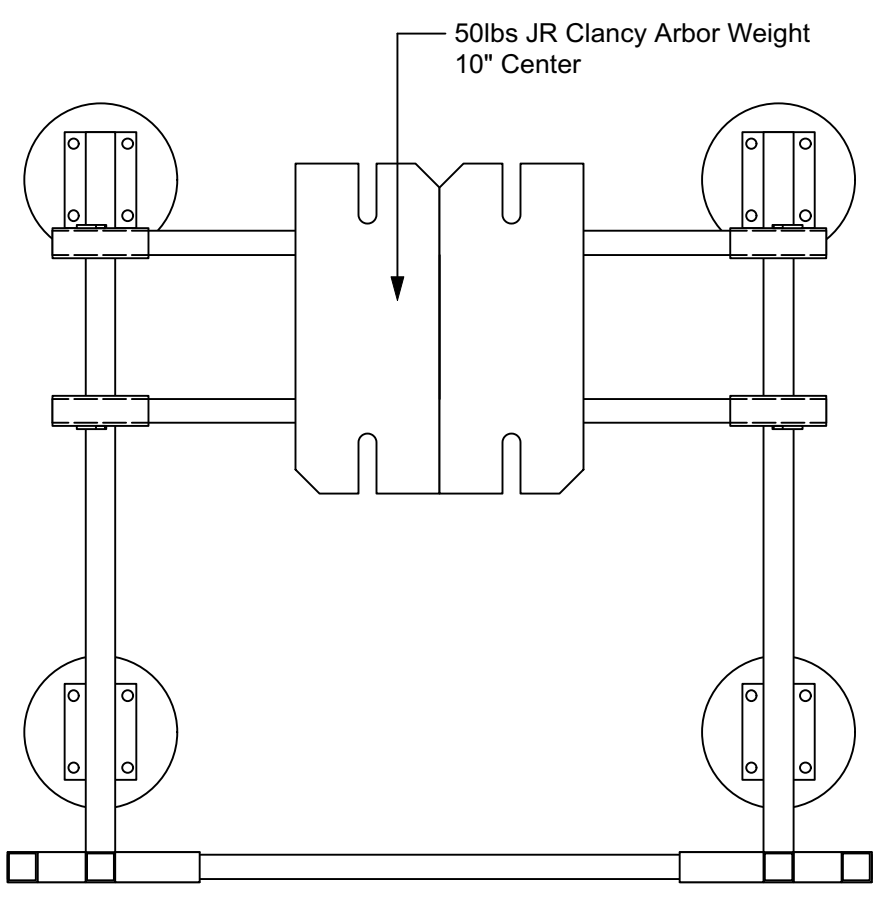
Title Modular Base		
Drawing Number M1	Drawn By Ian Morse	Date 5/16/18
CAD File Name ICHH master.vwx		

A

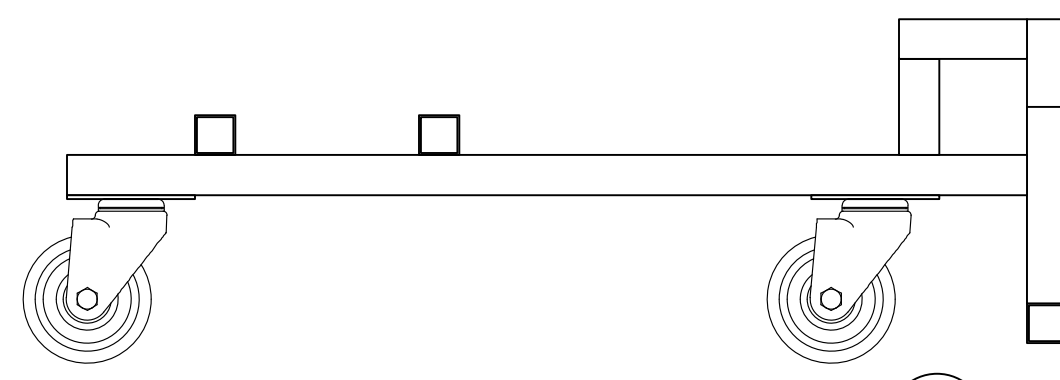
A



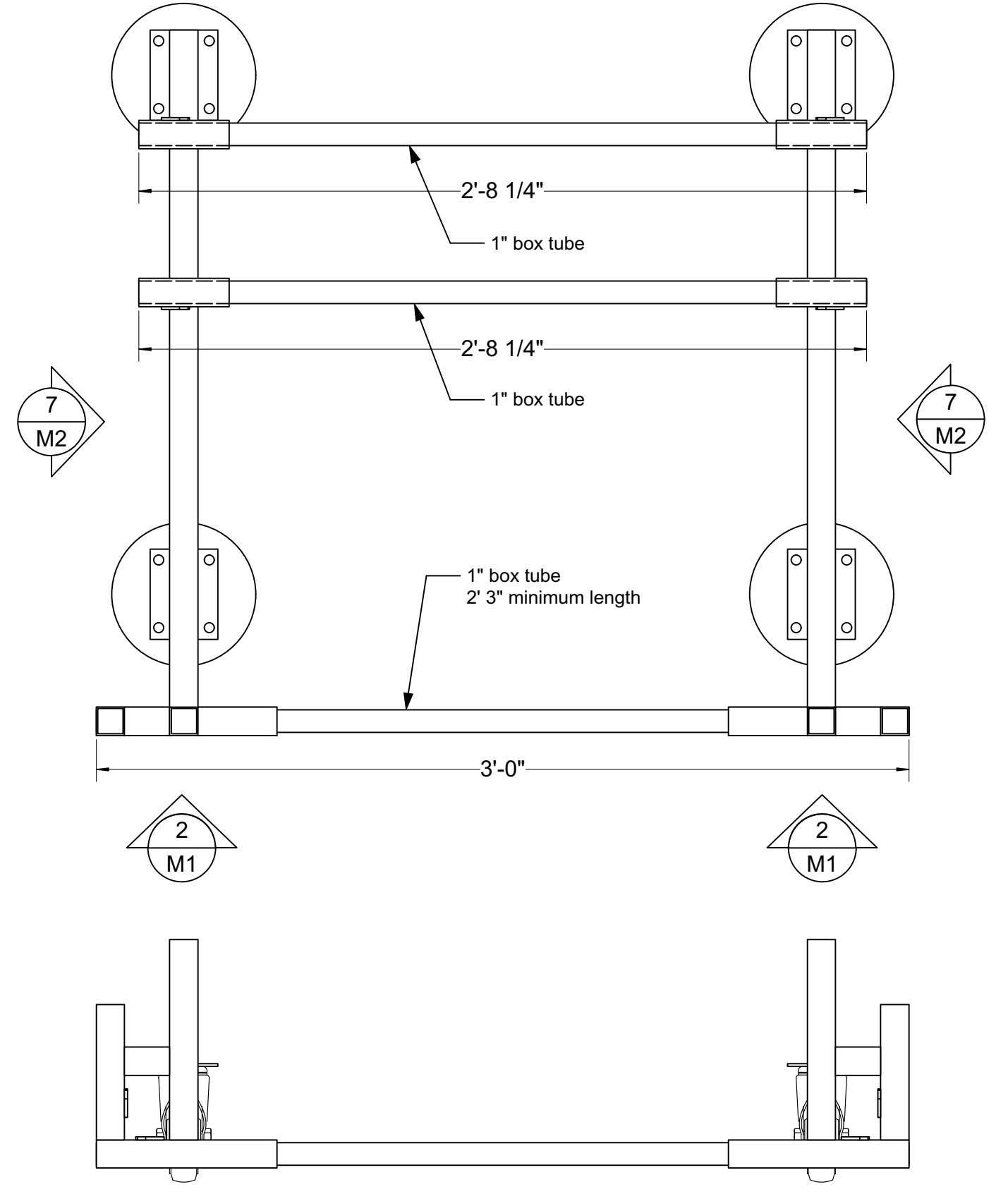
7 Slim Base
Scale: 3" = 1'-0"



9 Full Slim Base Assembly with Counterweight
Scale: 1 1/2" = 1'-0"



8 Full Slim Base Assembly
Scale: 2" = 1'-0"



B

B

C

C

Title Slim Modular Base		
Drawing Number M2	Drawn By Ian Morse	Date 5/16/18
CAD File Name ICHH master.vwx		

A

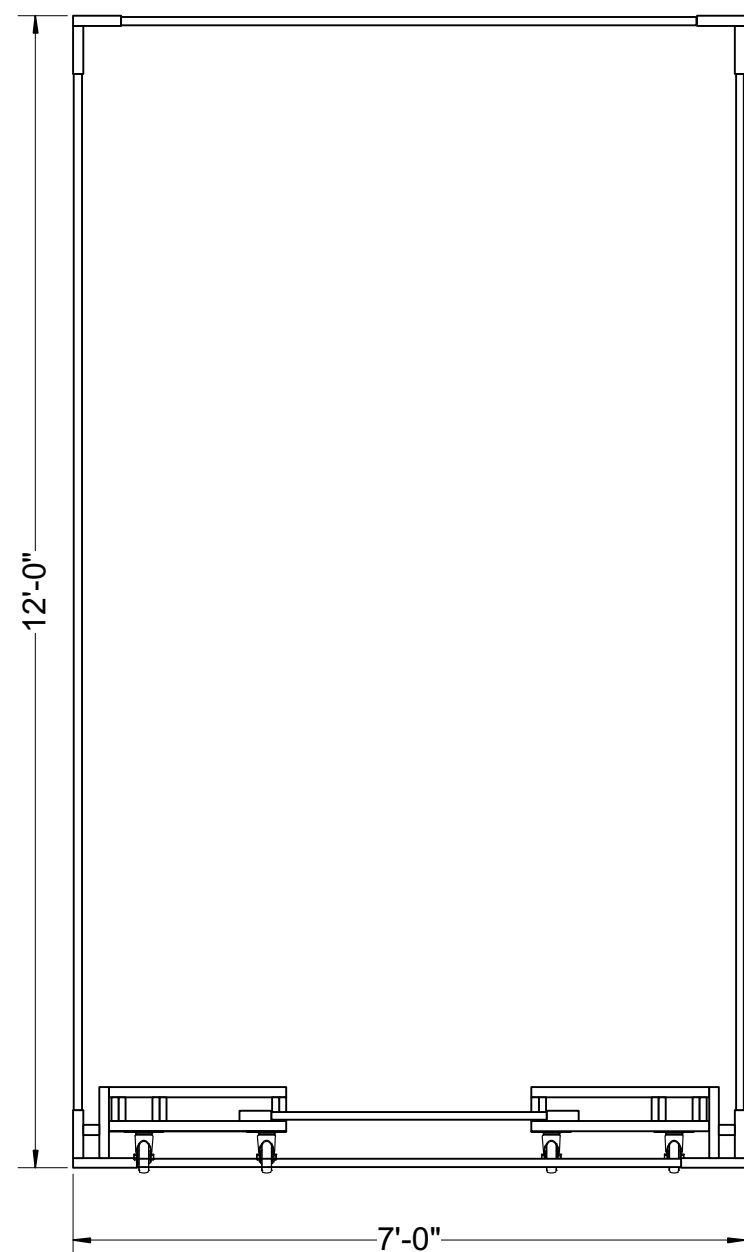
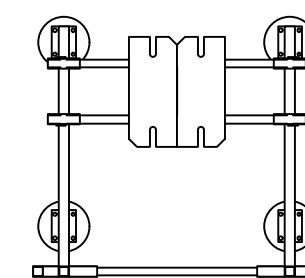
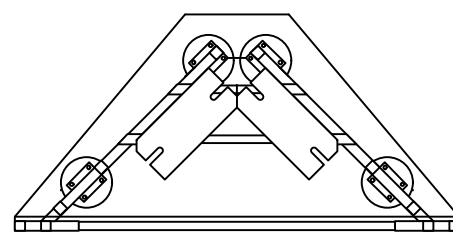
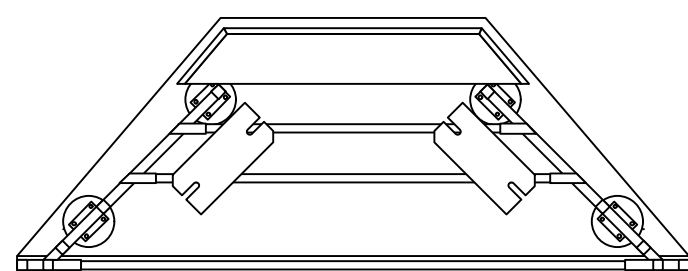
A

B

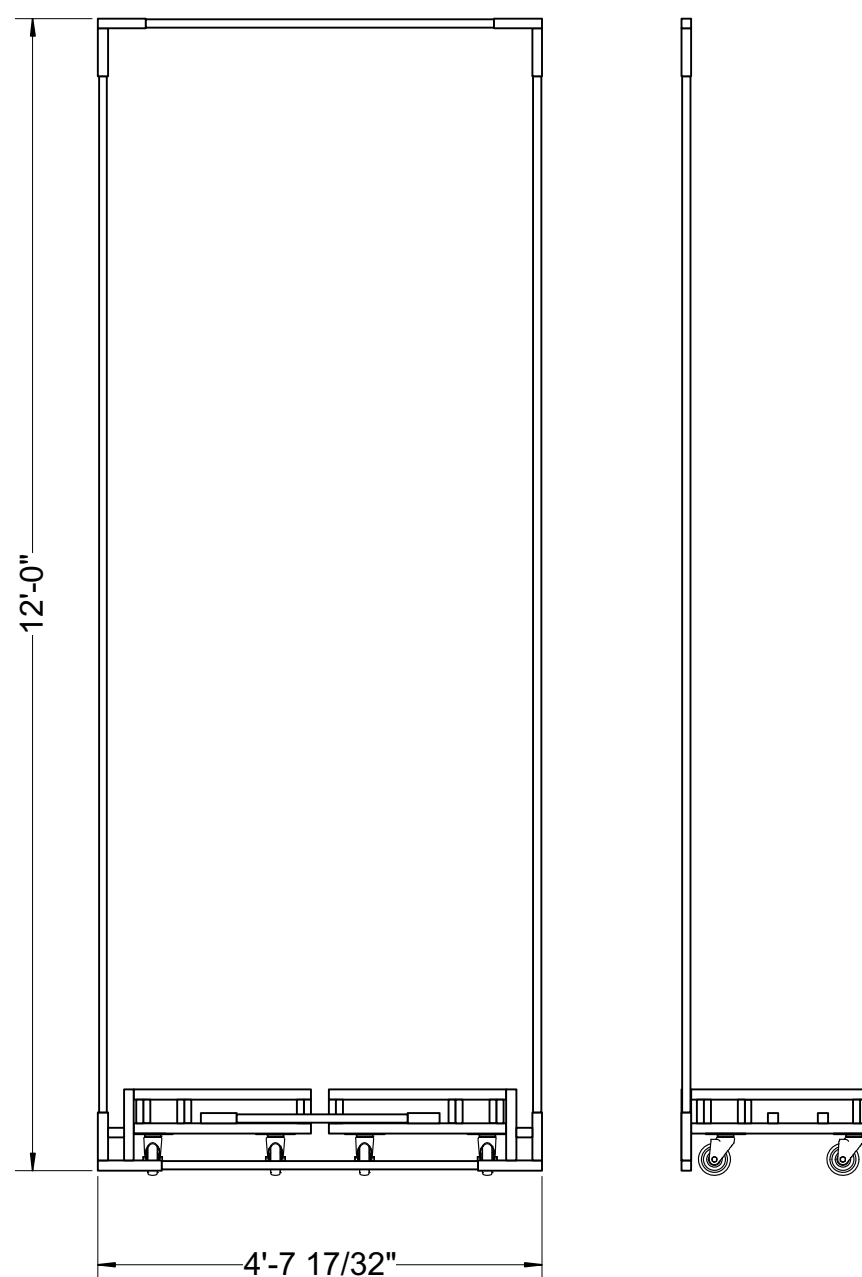
B

C

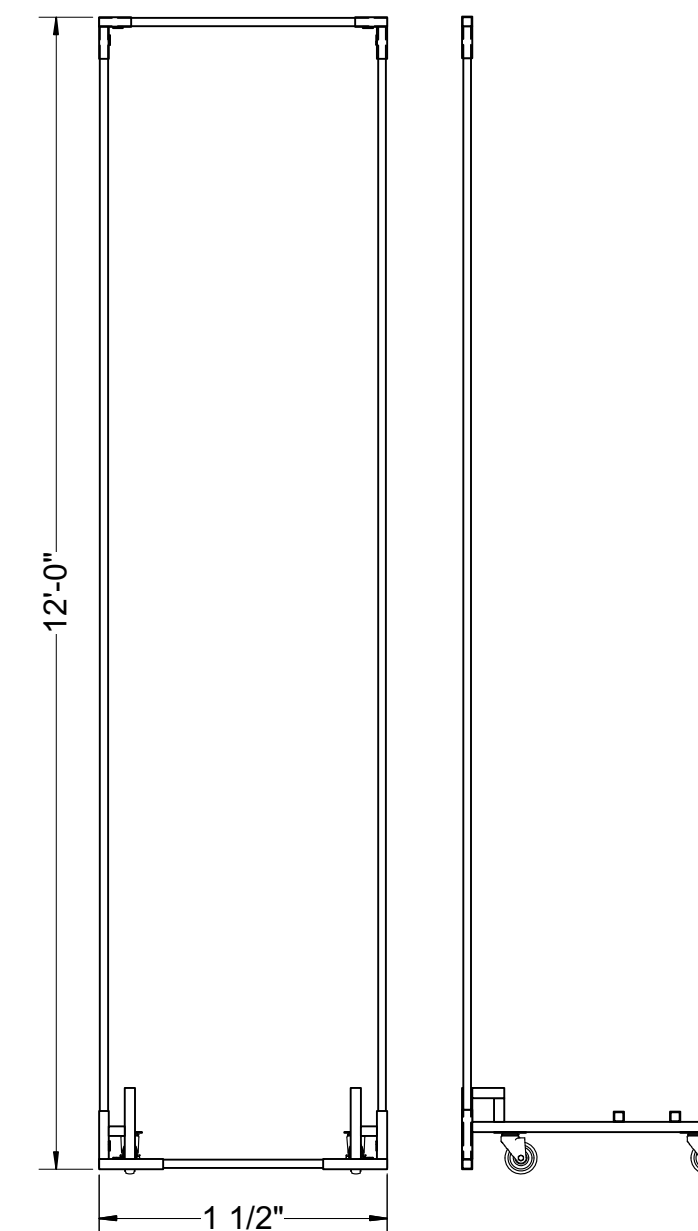
C



10 7ft Modular Base with Podium
Scale: 1/2" = 1'-0"



11 4ft 7 1/2in Panel
Scale: 1/2" = 1'-0"



12 3ft Panel
Scale: 1/2" = 1'-0"

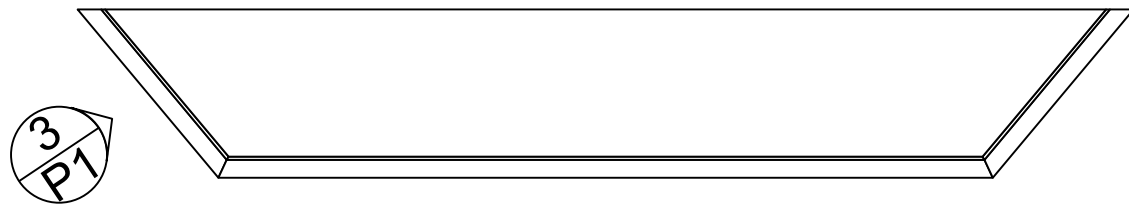
Title Modular Base Sizes Used		
Drawing Number M3	Drawn By Ian Morse	Date 5/16/18
CAD File Name ICHH master.vwx		

1

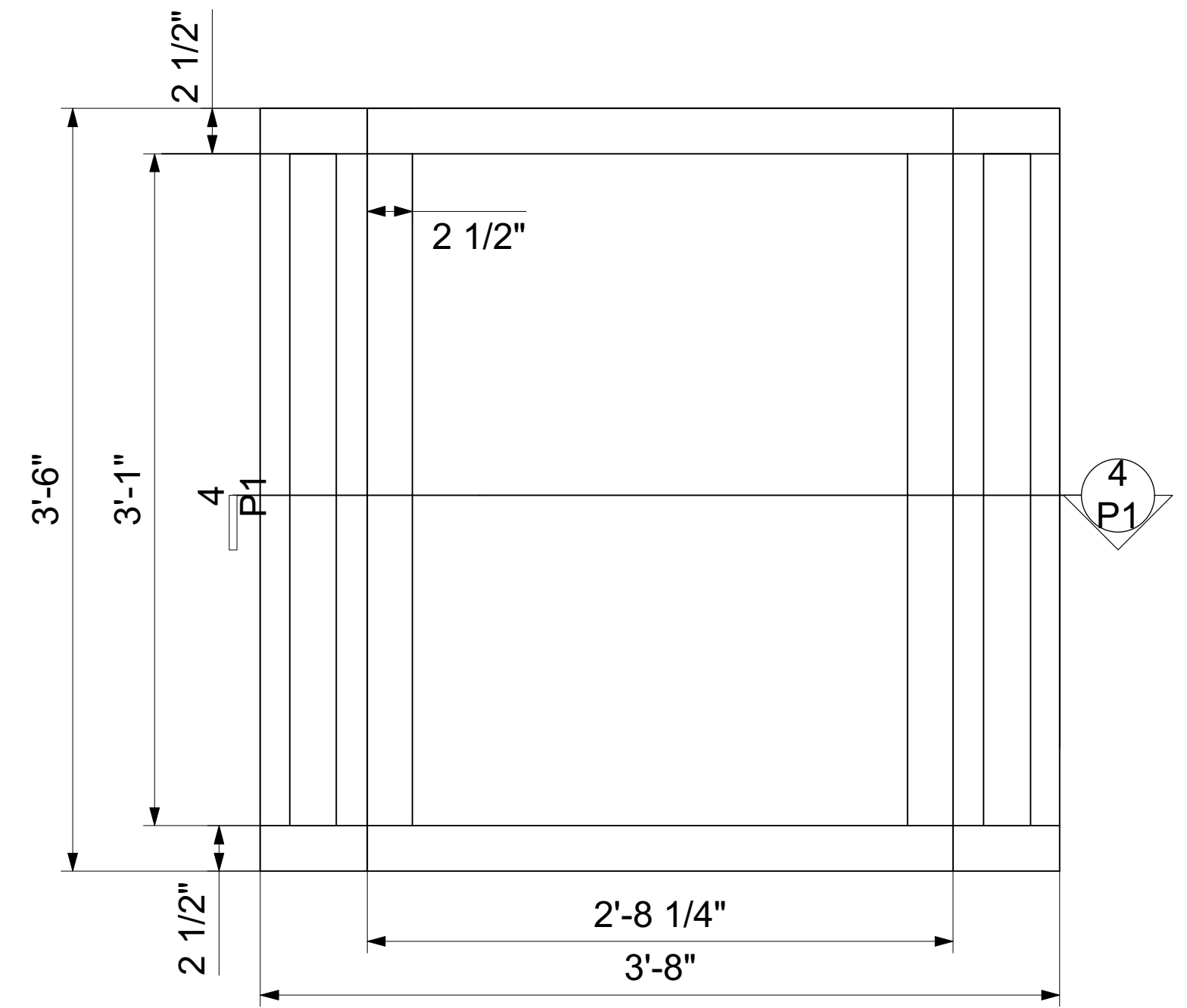
2

4

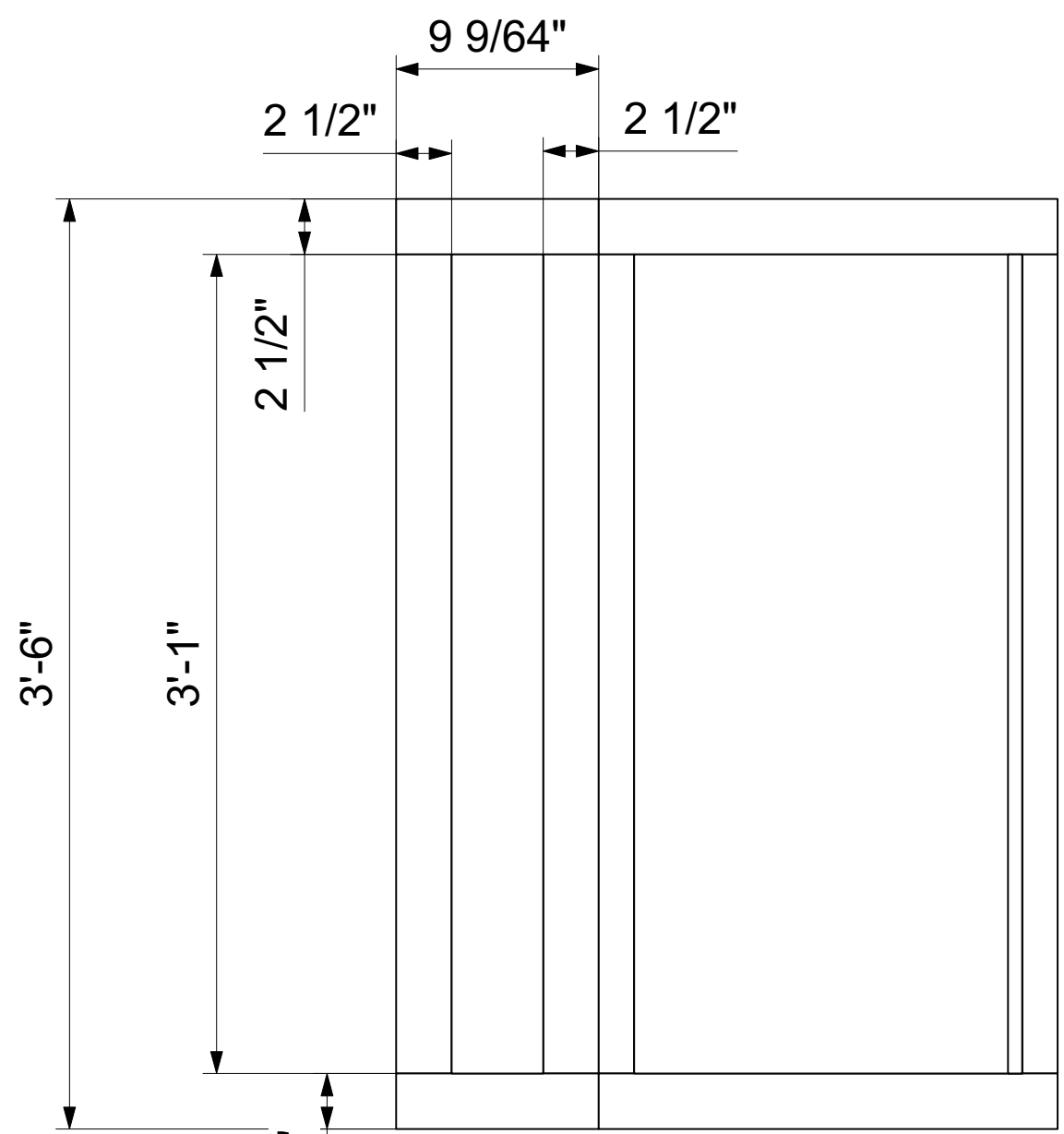
5



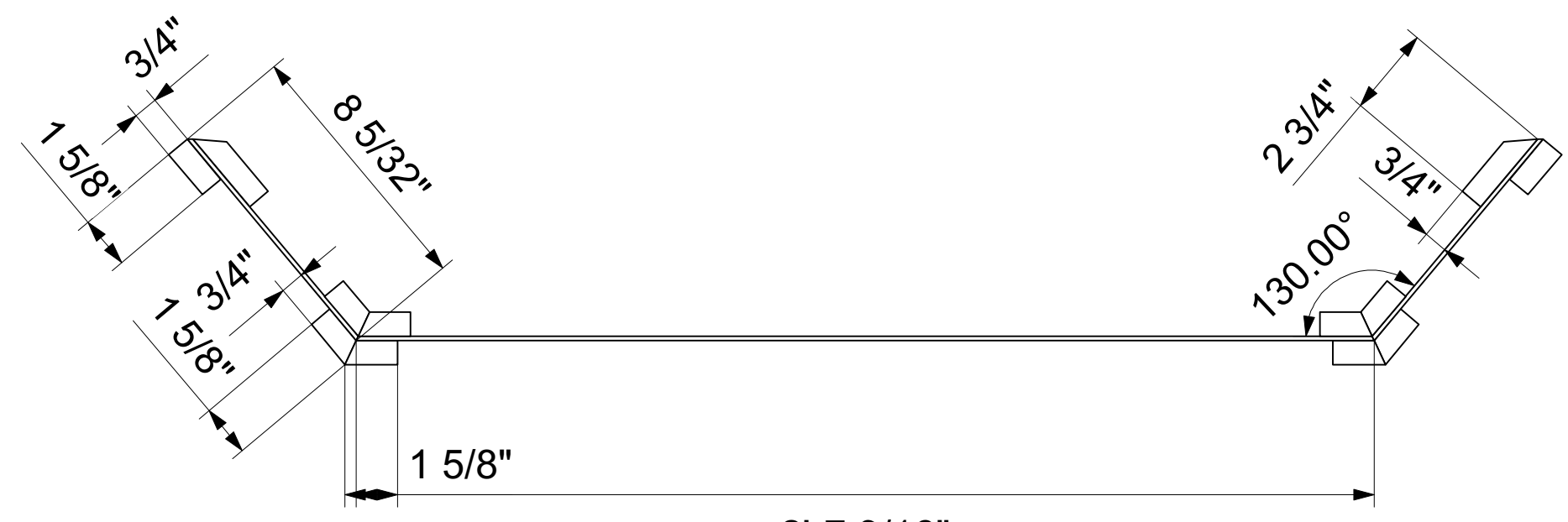
1 Top Plan
Scale: 1 1/2" = 1'-0"



2 Front Elevation
Scale: 1 1/2" = 1'-0"



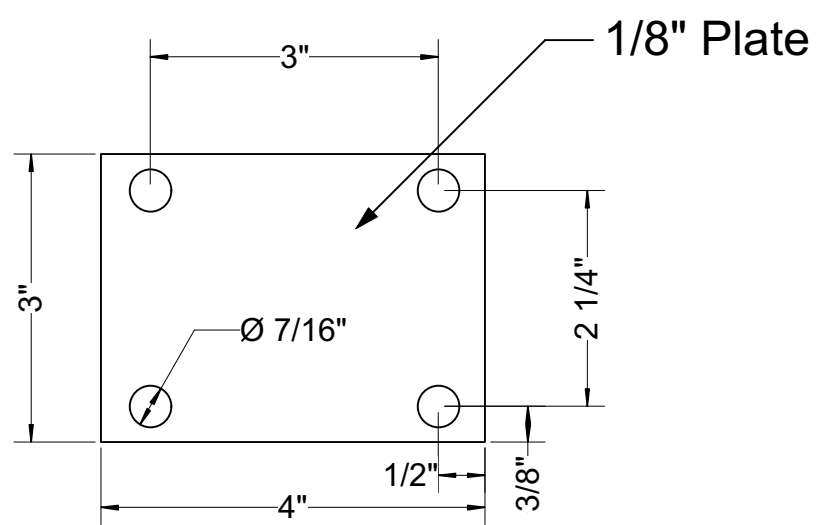
3 Side Panel Elevation
Scale: 1 1/2" = 1'-0"



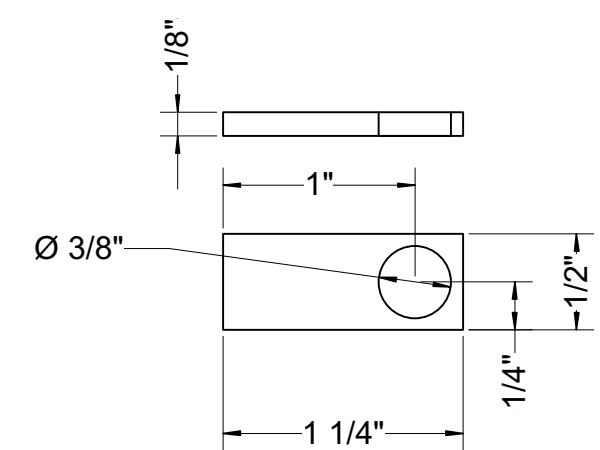
4 Center Cross Section
Scale: 1:5

Title Podium		
Drawing Number P1	Drawn By Ian Morse	Date 5/9/18
CAD File Name ICHH master.vwx		

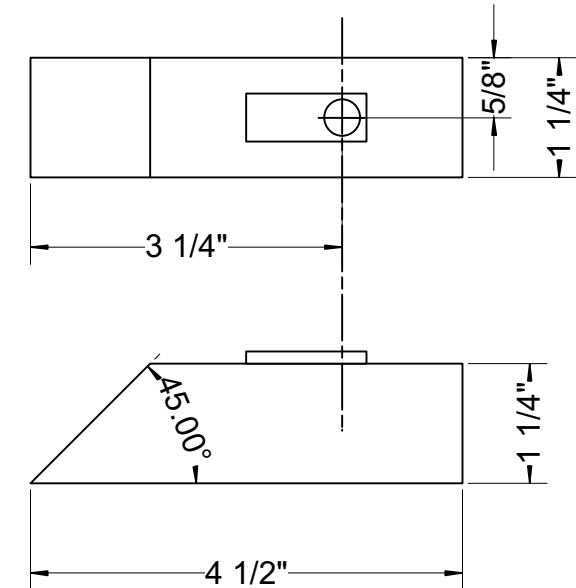
A



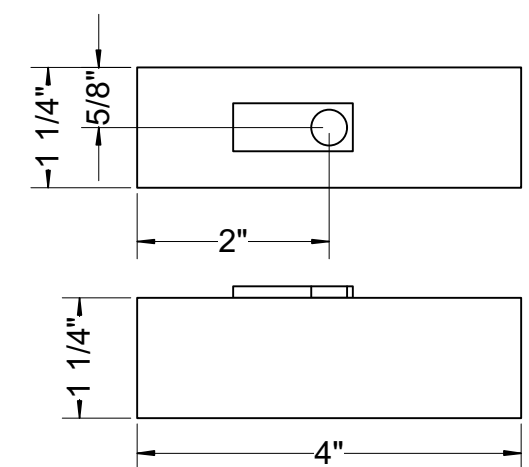
1 Caster Plate
Scale: Half Actual Size



2 3/8" Weld Nut
Scale: Actual Size

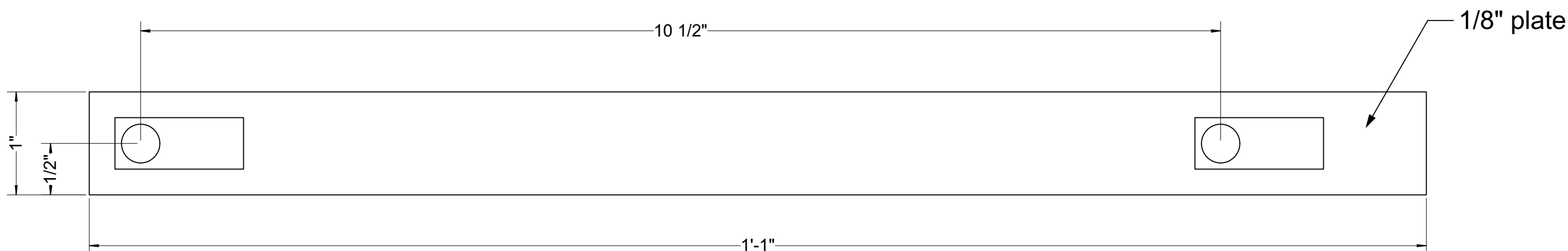


3 45 deg Crossmember Clamp
Scale: Half Actual Size



4 90 deg Crossmember Clamp
Scale: Half Actual Size

B



5 Counterweight Bracket
Scale: Actual Size

C

A

B

C

Title Small Parts and Assemblies		
Drawing Number S1	Drawn By Ian Morse	Date 5/16/18
CAD File Name ICHH master.vwx		

A

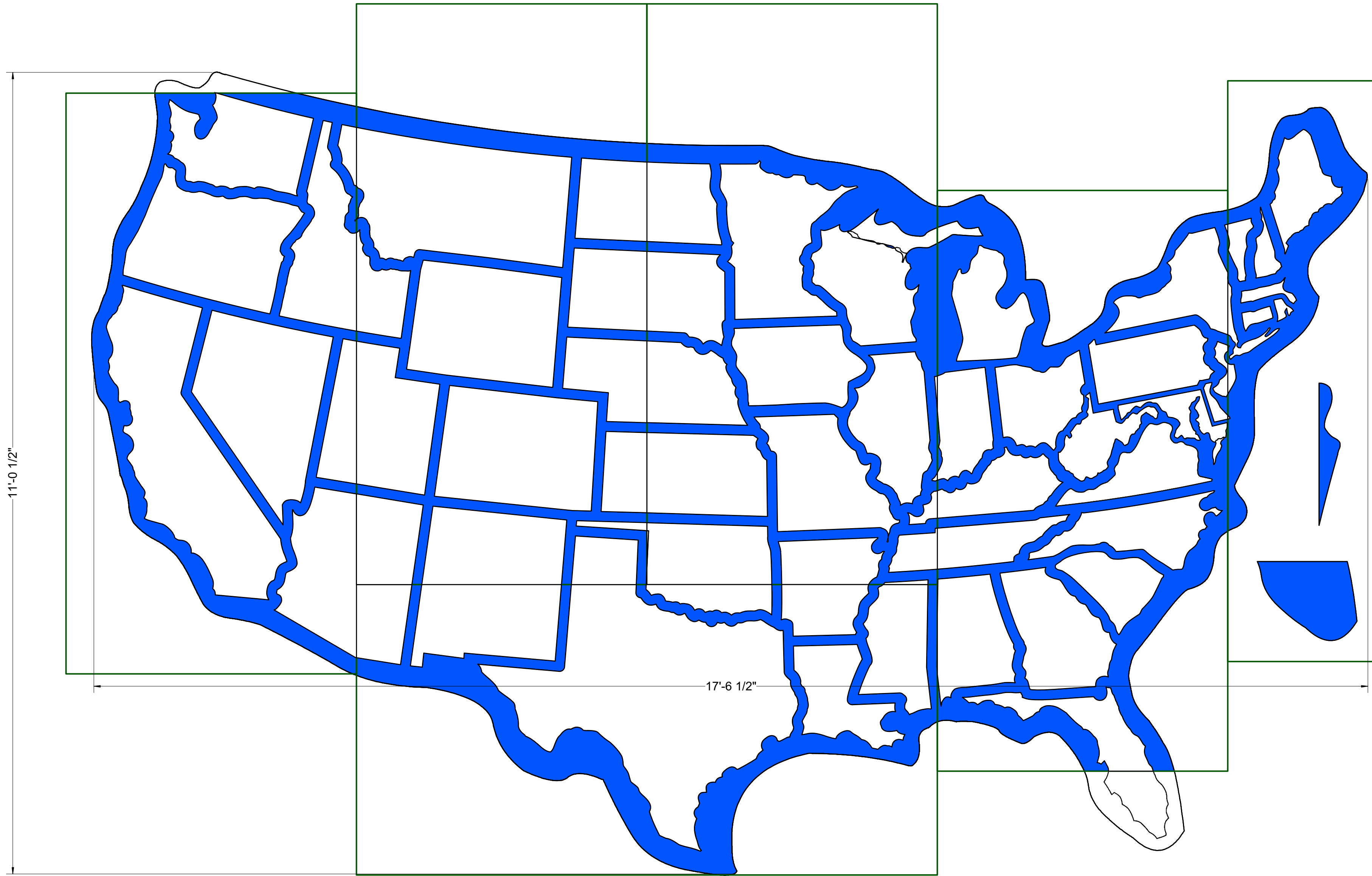
A

B

B

C

C



General Notes

1. States are constructed from 1" insulation foam board.
2. Backing is 1/8" plywood. Rectangles show optimal 4'x8' plywood sheet placement. A projector was used to outline the edges.
3. The extra blue sections on the 1/2 sheet are needed parts that did not fit on the rest of the sheets.

1 Front Elevation
Scale: 1" = 1'-0"

Title Map Front Elevation		
Drawing Number MP1	Drawn By R. Jackson	Date 5/16/18
CAD File Name ICHH master.vwx		

A

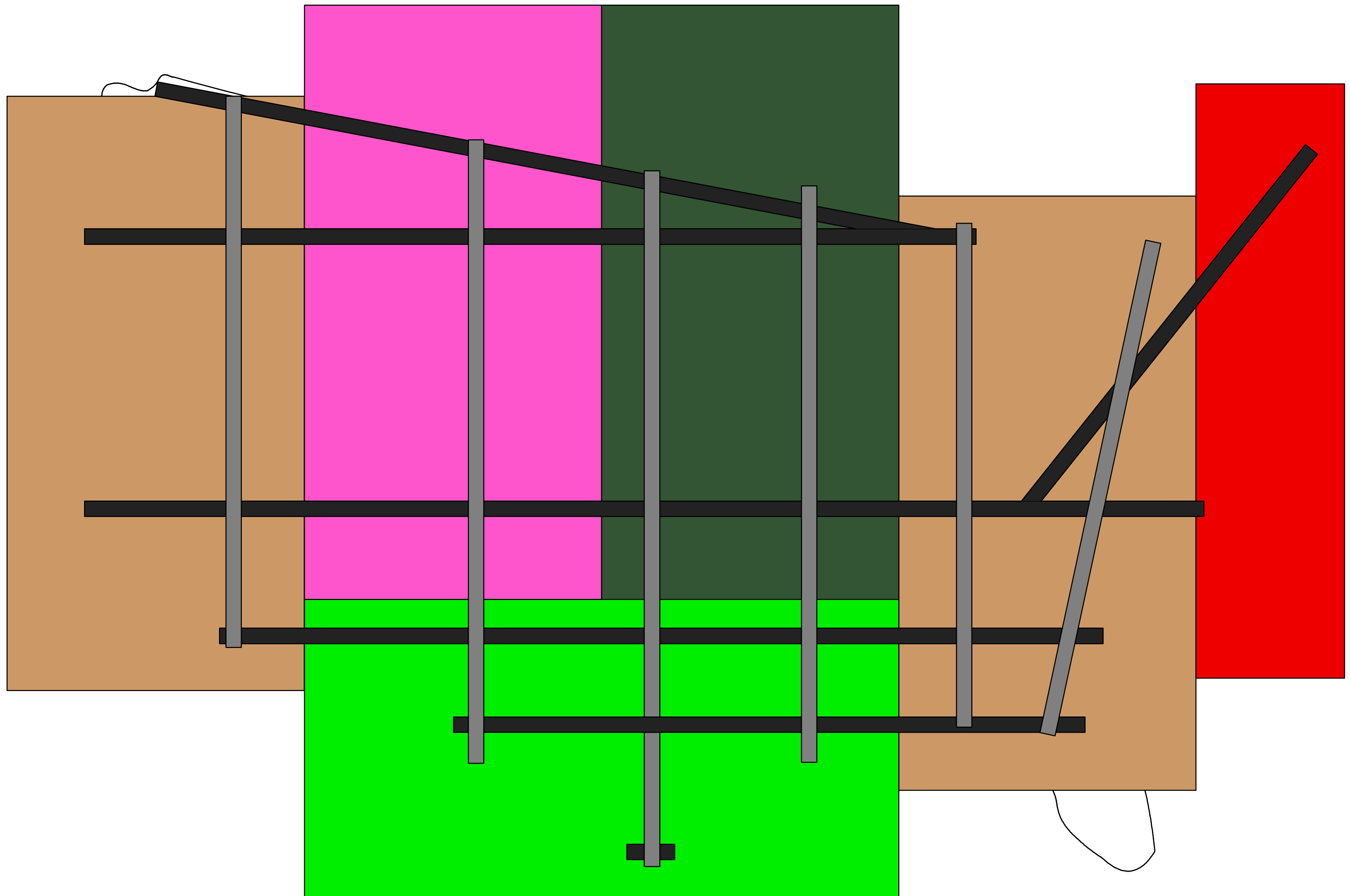
A

B

B

C

C



2 Rear Elevation
Scale: 1" = 1'-0"

Title Map Rear Elevation		
Drawing Number MP2	Drawn By R. Jackson	Date 5/16/18
CAD File Name ICHH master.vwx		

A

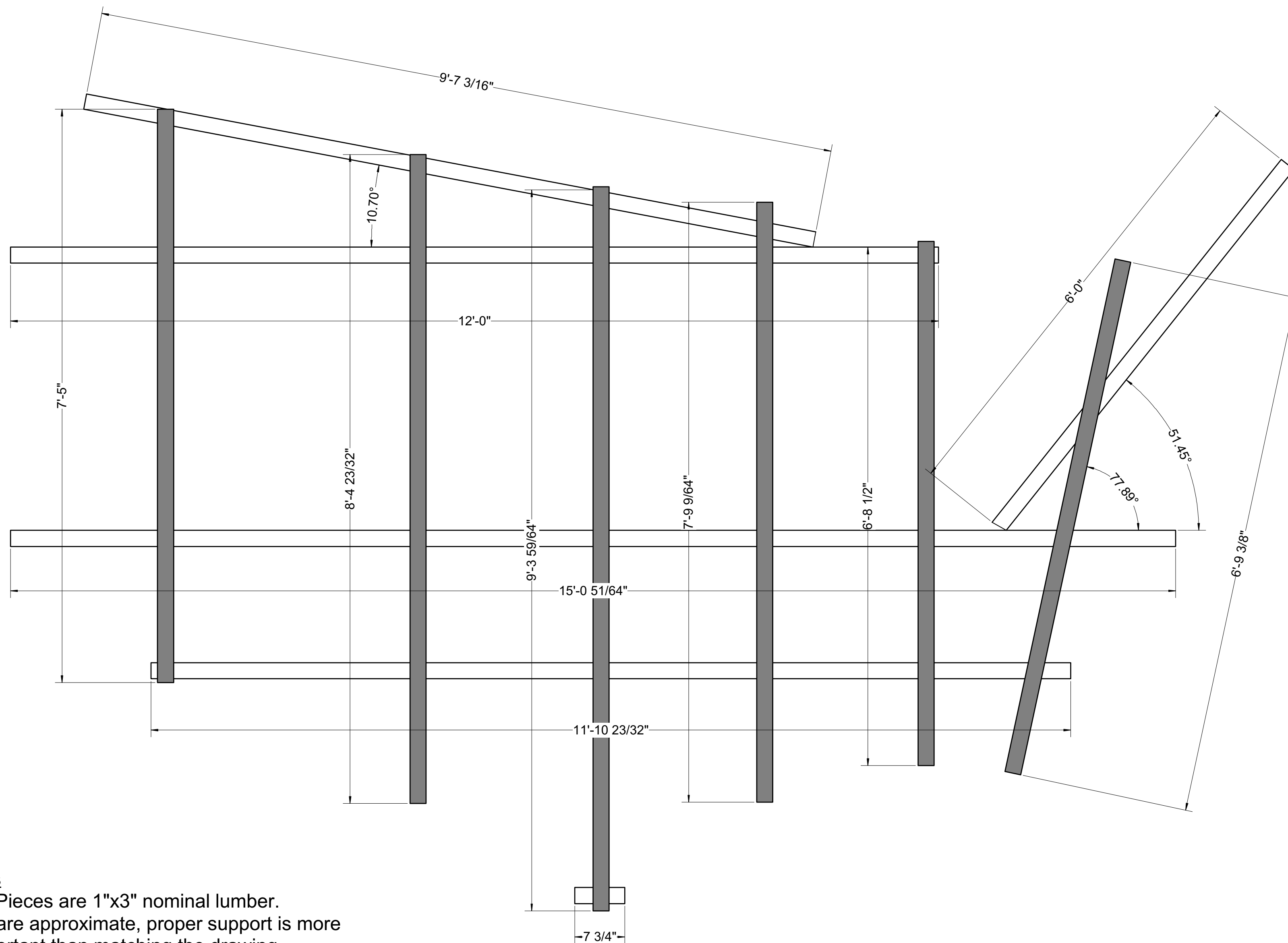
A

B

B

C

C



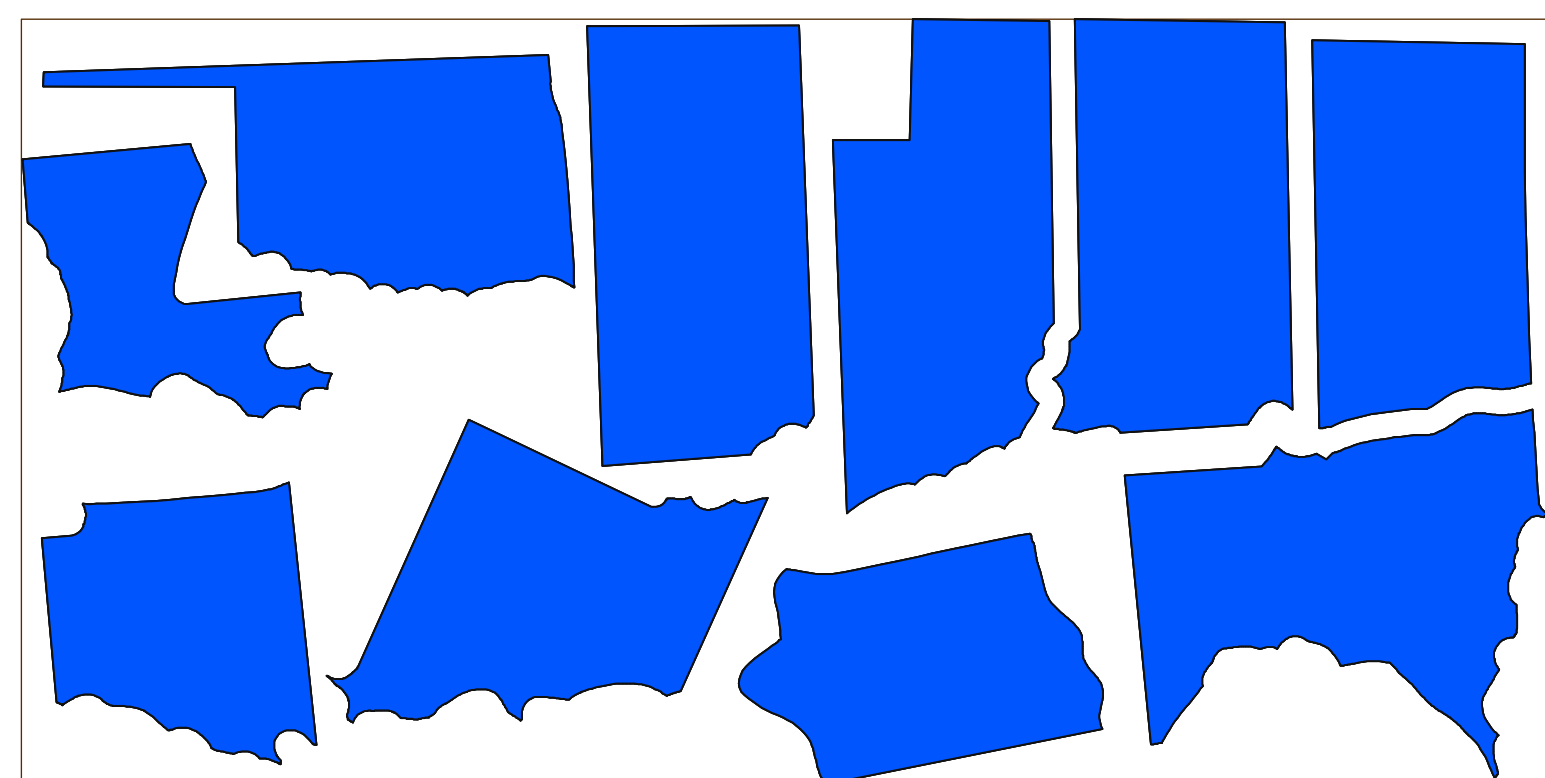
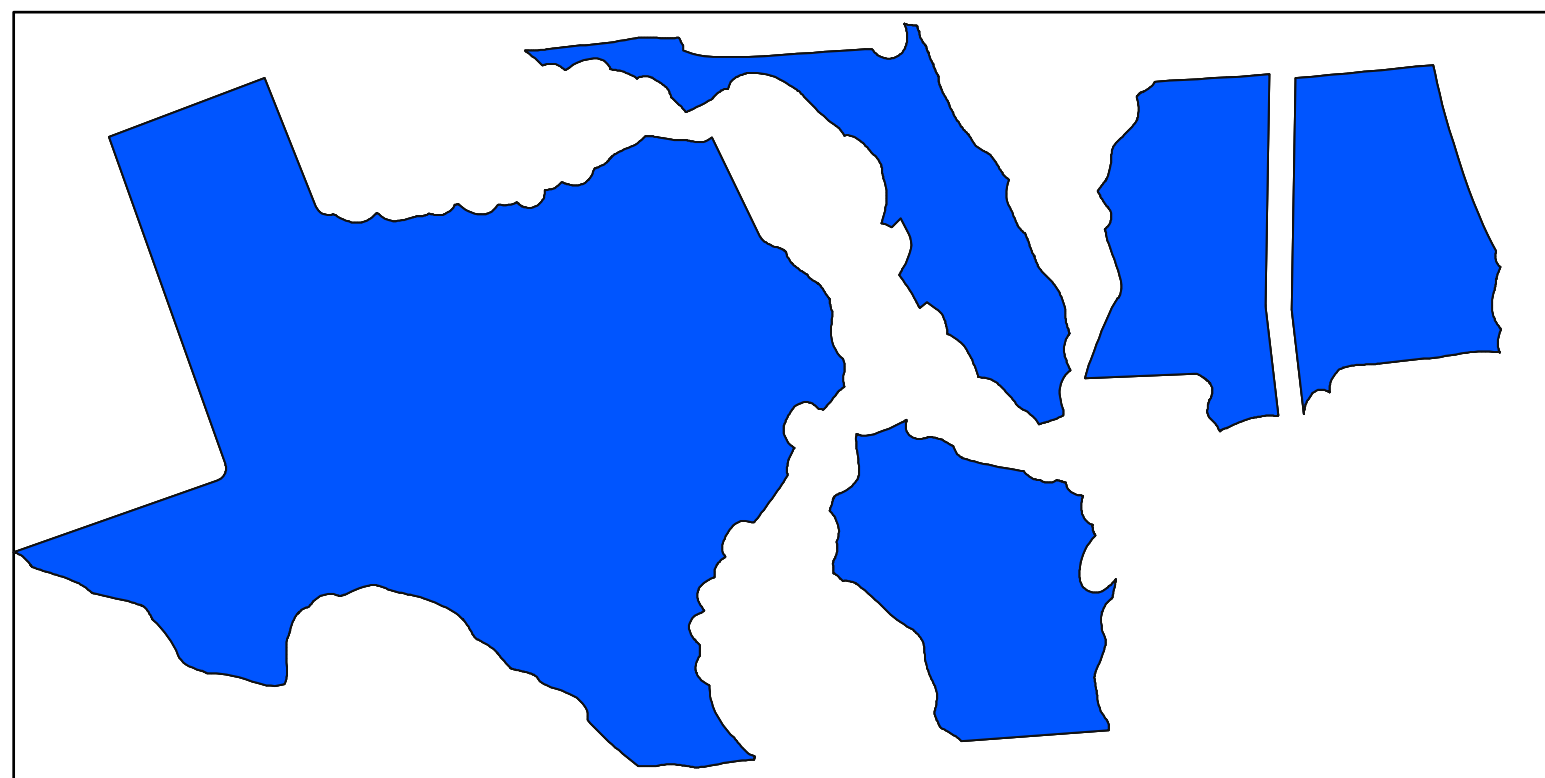
General Notes

1. All Pieces are 1"x3" nominal lumber.
2. All angles are approximate, proper support is more important than matching the drawing.
3. Horizontal pieces, in white, attach to plywood backing of map.
4. Vertical pieces, in grey, attach to horizontal pieces and act as attachment points for preferred method of hanging.
5. During the first run, map was hung on a batten with three 3/16" aircraft cable and hanging irons at points A, B, and C.

3 Rear Support Detail
Scale: 1" = 1'-0"

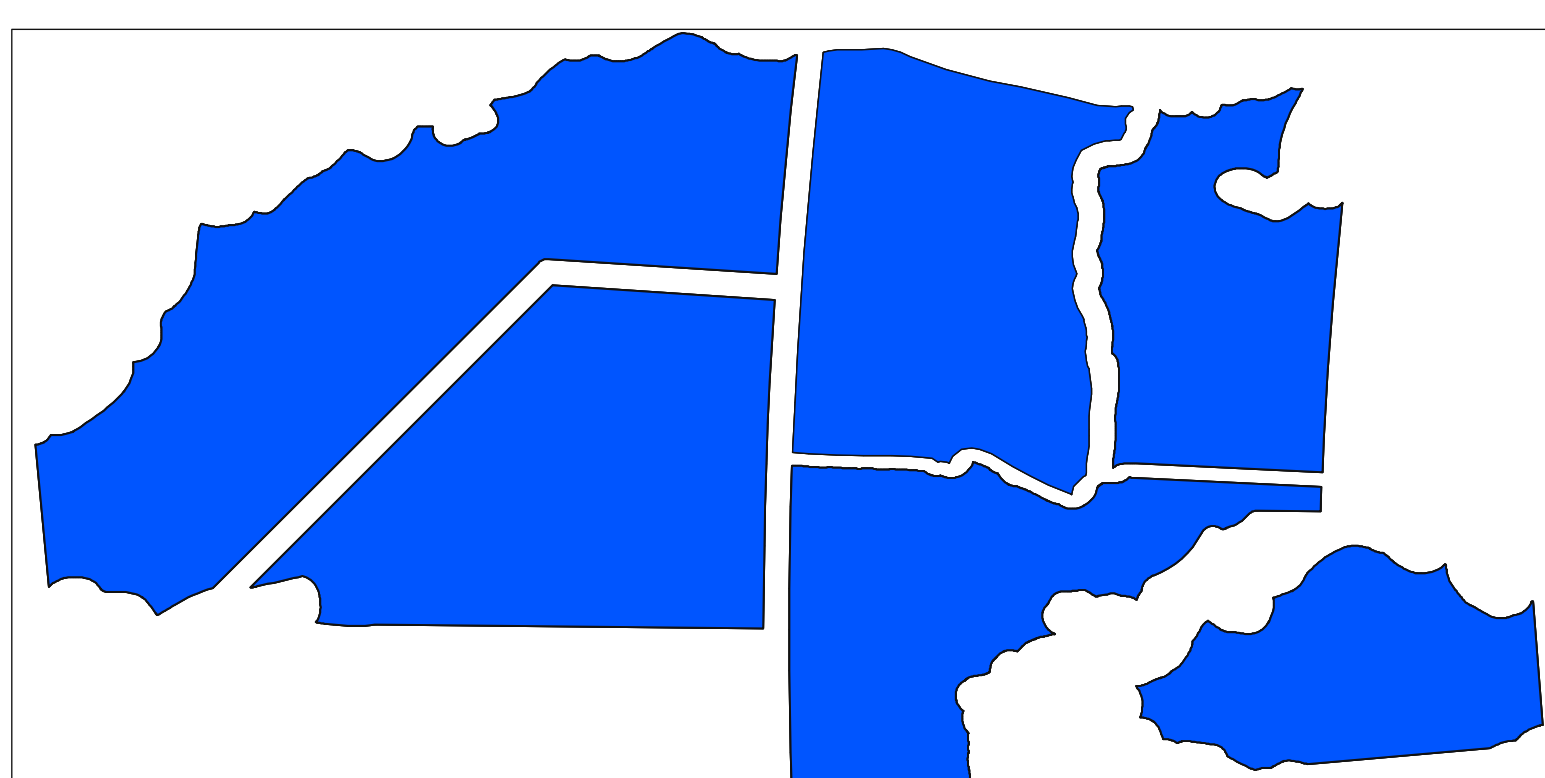
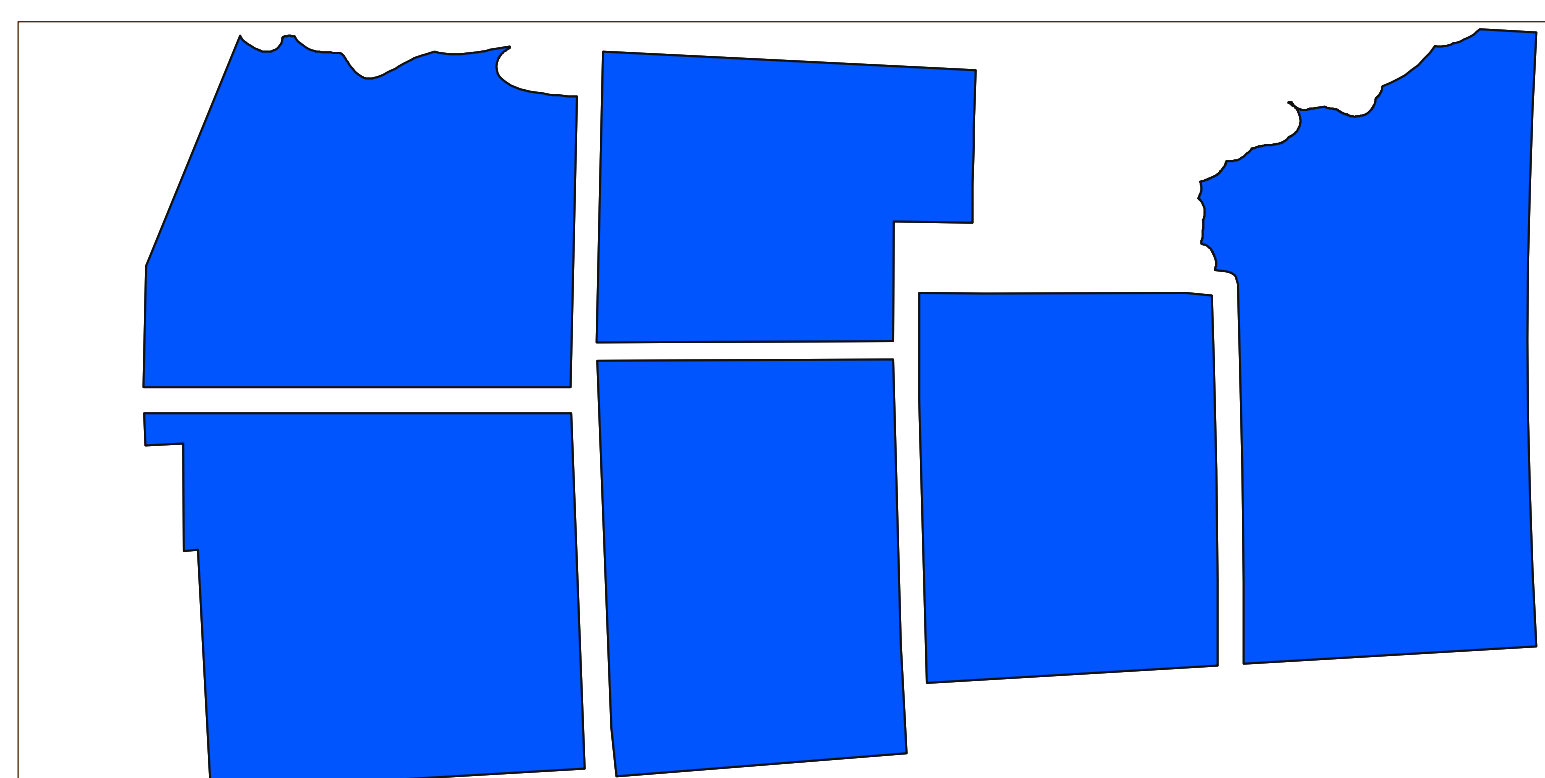
Title Map Rear Support Detail		
Drawing Number MP3	Drawn By R. Jackson	Date 5/16/18
CAD File Name ICHH master.vwx		

A



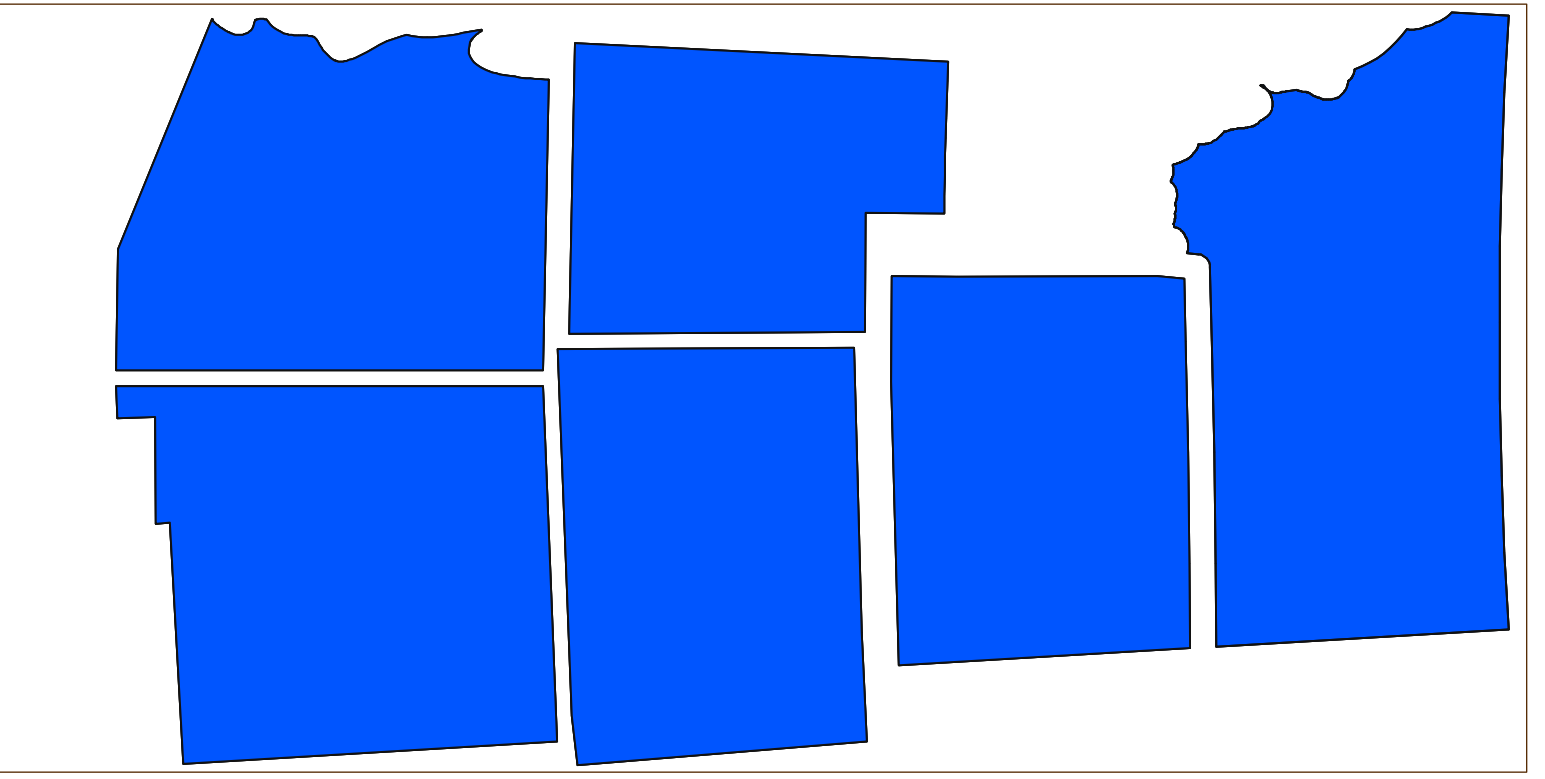
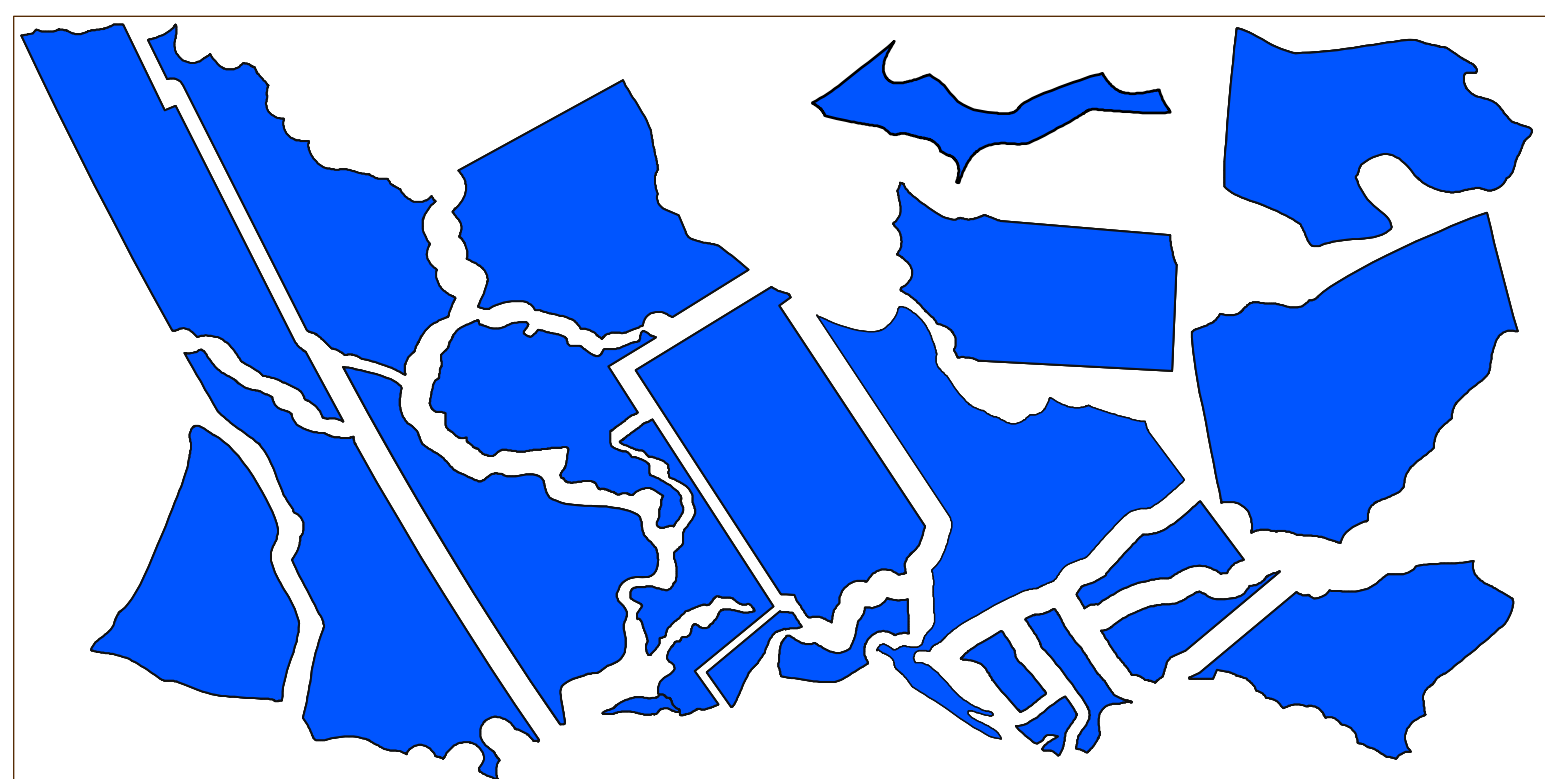
A

B



B

C



C

4 Foam Layout
Scale: 1" = 1'-0"

Title Sample Foam Layout		
Drawing Number MP4	Drawn By Ian Morse	Date 5/16/18
CAD File Name ICHH master.vwx		