



J-Smart

Cool, Warm & Collected

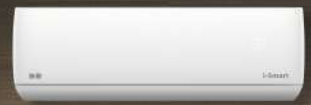


JASA

Smart Home

www.jet-air.co.za

Due to JASA policy of constant improvement, specifications are subject to change without prior notice.
Remarks: Cooling capacities are based on indoor air temp. 27°C DB, 19°C WB and outdoor air temp. 35°C DB, 24°C WB. The above specifications are subject to change without prior notice for product improvement.
E.A.O.L.



J-Smart



Self-Cleaning



Eco-Cooling



Sleep Mode

Privately distributed by

JASA

Smart Home

Johannesburg (011)708 1148
Pretoria (012)762 8777
East Rand (011)823 2119
Cape Town (021)823 8866

Durban (031)577 0498
Nelspruit (013)752 3258
Port Elizabeth (041)364 0947
Botswana (00267)262 2809

J-Smart

JA INVERTER



J-Smart

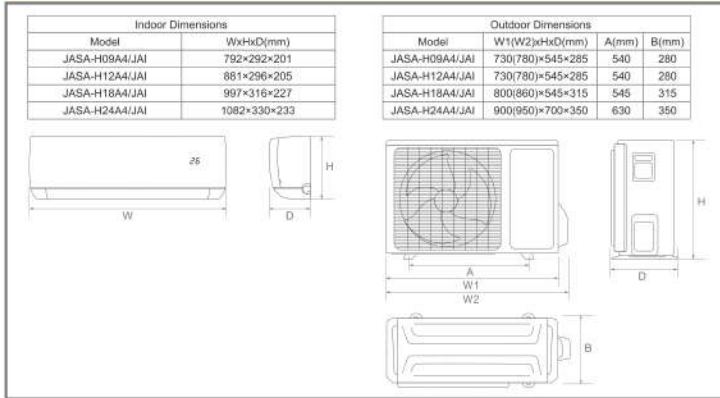
JA FIXED SPEED



SPECIFICATIONS



Model		JASA-H09A4/JAI	JASA-H12A4/JAI	JASA-H18A4/JAI	JASA-H24A4/JAI	
Power Supply	V~Hz/Ph	220~240,50,1	220~240,50,1	220~240,50,1	220~240,50,1	
Capacity	Cooling	W	2900	3520	5250	6300
	Heating	W	2600	3450	5200	7000
Performance	EER/COP	3.05/3.06	3.05/3.29	3.02/3.25	3.07/3.50	
Electric Data	Rated Cooling Power Input	W	820	1154	1738	2050
	Rated Heating Power Input	W	850	1050	1600	2000
	Rated Cooling Current	A	3.60	5.50	7.80	10.50
	Rated Heating Current	A	3.70	5.00	7.30	8.50
	Indoor Air Flow	m ³ /h	600	650	1000	1200
Indoor	Noise Level	dB(A)	41	42	48	48
	Outline Dimension (W×H×D)	mm	792×292×201	881×296×205	997×316×227	1082×330×233
	Package Dimension (W×H×D)	mm	880×370×290	977×370×285	1067×385×312	1155×397×312
	Weight Net/Gross	kg	8.0/10.0	9.5/12.0	13.5/17.0	14.5/18.0
	Outdoor	Noise Level	dB(A)	50	51	56
Outline Dimension (W×H×D)		mm	720×545×255	780×545×285	860×545×315	900×700×350
Package Dimension (W×H×D)		mm	850×620×370	850×620×370	920×620×400	1020×770×430
Weight Net/Gross		kg	25.0/29.0	28.0/33.0	35.0/39.0	48.0/53.0
Refrigerant Type		g	R410A/750	R410A/960	R410A/1300	R410A/1560
Refrigerant Pipe	Gas	inch	3/8"	3/8"	1/2"	5/8"
	Liquid	inch	1/4"	1/4"	1/4"	1/4"
	Max Length	m	20	20	20	25
	Max Height	m	10	10	10	15



SPECIFICATIONS

Model		JASA-H09A4/JA	JASA-H12A4/JA	JASA-H18A4/JA	JASA-H24A4/JA	JASA-H32A4/JA	
Power Supply	V~Hz/Ph	220~240,50,1	220~240,50,1	220~240,50,1	220~240,50,1	220~240,50,1	
Capacity	Cooling	W	2650	3200	5270	7030	8800
	Heating	W	2640	3100	5300	7400	8900
Performance	EER/COP	3.01/3.77	3.05/3.37	3.10/3.31	3.02/3.46	3.14/3.38	
Electric Data	Rated Cooling Power Input	W	880	1050	1700	2330	2800
	Rated Heating Power Input	W	700	920	1600	2140	2630
	Rated Cooling Current	A	4.00	4.70	7.60	11.00	12.50
	Rated Heating Current	A	3.00	4.20	7.50	11.00	11.20
	Indoor Air Flow	m ³ /h	550	590	850	1200	1200
Indoor	Noise Level	dB(A)	42	44	46	49	49
	Outline Dimension (W×H×D)	mm	792×292×201	792×292×201	997×316×227	1132×330×232	1132×330×232
	Package Dimension (W×H×D)	mm	888×370×290	888×370×290	1067×385×312	1205×400×317	1205×400×317
	Weight Net/Gross	kg	8.5/12.0	8.5/12.0	12.0/16.0	14.0/18.0	14.0/18.0
	Outdoor	Noise Level	dB(A)	52	53	58	58
Outline Dimension (W×H×D)		mm	660×500×240	730×545×285	825×655×310	900×700×350	900×700×350
Package Dimension (W×H×D)		mm	780×570×345	850×620×370	945×725×435	1020×770×430	1020×770×430
Weight Net/Gross		kg	25.0/29.0	29.0/34.0	43.6/48.3	57.0/63.0	57.0/63.0
Refrigerant Type		g	R410A/610	R410A/880	R410A/1240	R410A/1650	R410A/2100
Refrigerant Pipe	Gas	inch	3/8"	1/2"	1/2"	5/8"	
	Liquid	inch	1/4"	1/4"	1/4"	1/4"	
	Max Length	m	20	20	20	25	
	Max Height	m	10	10	10	15	

