



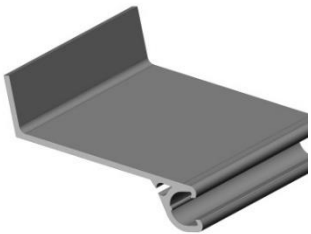
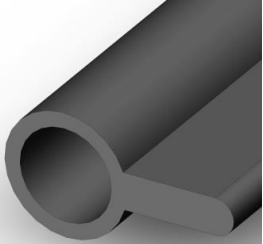
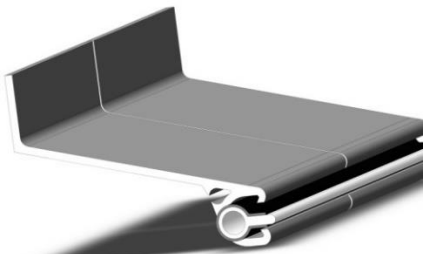
Thru-Wall Flashing Receiver System


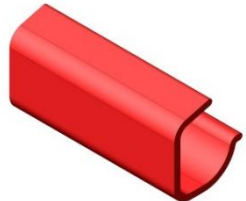

Flash Trac, Inc.



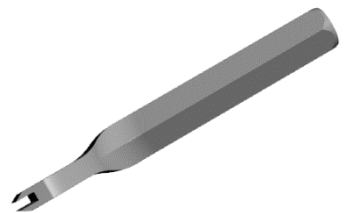
"NO FLASHING BEFORE IT'S TIME"

INSTALLATION SHEET
www.flashtracsystems.com

Flash Trac Components

		
Flash Trac Receiver	Flash Track Rod	Flash Trac Receiver with Rod

		
Alignment Clip Front View	Alignment Clip Rear View	Alignment Clip Side View

		
Installation Tool Top View	Installation Tool Side View	Installation Tool Side View

NOTE: Flash Trac is not recommended for adhered or glued membranes. It will work, but not well. If used, do not peel off the backing exposing the adhesive on the parts that go into the receiver.



Thru-Wall Flashing Receiver System

Flash Trac, Inc.

"NO FLASHING BEFORE IT'S TIME"

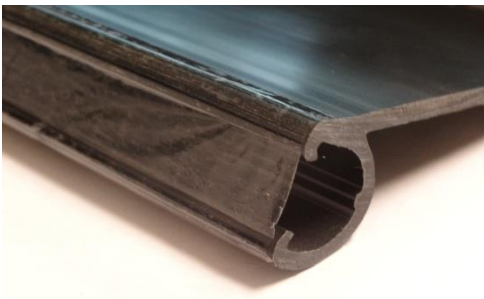
INSTALLATION SHEET

www.flashtracsystems.com

Flash Trac™ System Installation



The Flash Trac™ System is an extruded plastic through-wall flashing receiver. Flash Trac™ simply attaches to the exterior sheathing. It is designed to be installed before any spray foam insulation is applied. This enables the flashing to be installed after spray foaming occurs preventing distortion and contamination.



Note: Flash Trac comes with a protective tape applied across the opening. **DO NOT** remove this tape until all spray foaming has been completed! It is preferable to wait until you are ready to install the membrane flashing material. It is recommended that the protective tape be patched or re-taped if it becomes damaged or broken before spraying operations. This protective tape prevents insulation and other debris from accumulating in the groove which would require removal before the installation of the membrane and rod holder.



Thru-Wall Flashing Receiver System

Flash Trac, Inc.

"NO FLASHING BEFORE IT'S TIME"

INSTALLATION SHEET

www.flashtracsystems.com

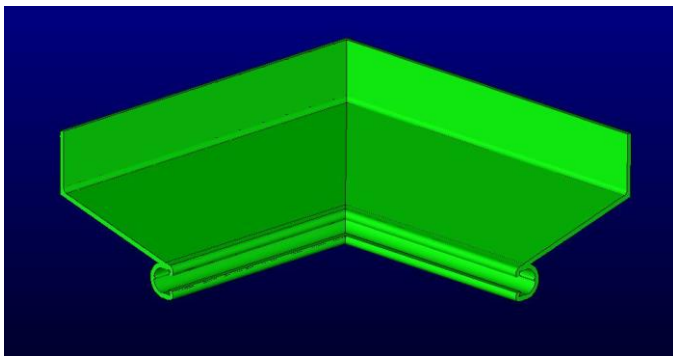
Installing the wall bracket/receiver

The wall bracket/receiver hereafter referred to as the "receiver" is attached to the sheathing using self-tapping screws such as are normally used when attaching the wall brackets. Fasteners with a hex washer head can also be used. It is not necessary to use a washer on the fastener, but using one helps the installer to know when the track is tight against the sheathing because the washer will start to deform.

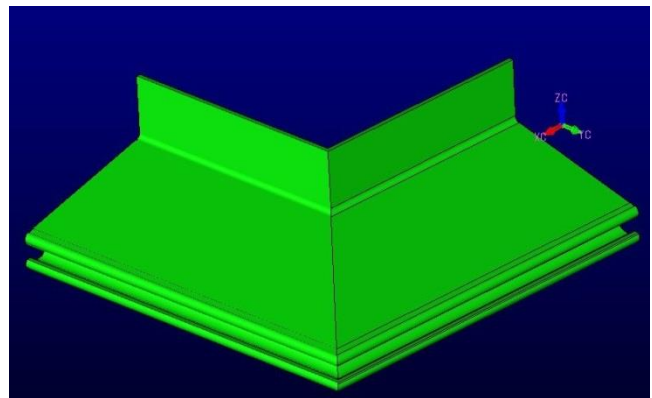
It is recommended that screws be installed every 16 to 24 inches depending on studding. Small pieces should have at least two and preferably three screws installed.

If 18" flashing is used the receiver would be installed from 9" – 11" above the shelf/angle to the top of the opening where the rod is inserted. This wall makeup would be 4" veneer, 1" – 3" clear space, 9" – 11" vertical flashing and 2" of flashing to wrap around the retaining rod.

If 24" flashing was used the receiver would be installed from 15" – 17" above the shelf/angle. This wall makeup would be 4" veneer, 1" – 3" clear space, 15" – 17" flashing height, and 2" of flashing to wrap around the retaining rod.



Inside Corner



Outside Corner

Making corners

Corners can be cut in the field using a miter or chop saw. Premade molded inside and outside corners can be ordered from Flash Trac. To cut the corners so that they will properly line up, a 15-degree template should be cut and placed on the table of the saw. Failure to do so will result in your seams not lining up properly. The joints/seams on-field cut corners should be taped.



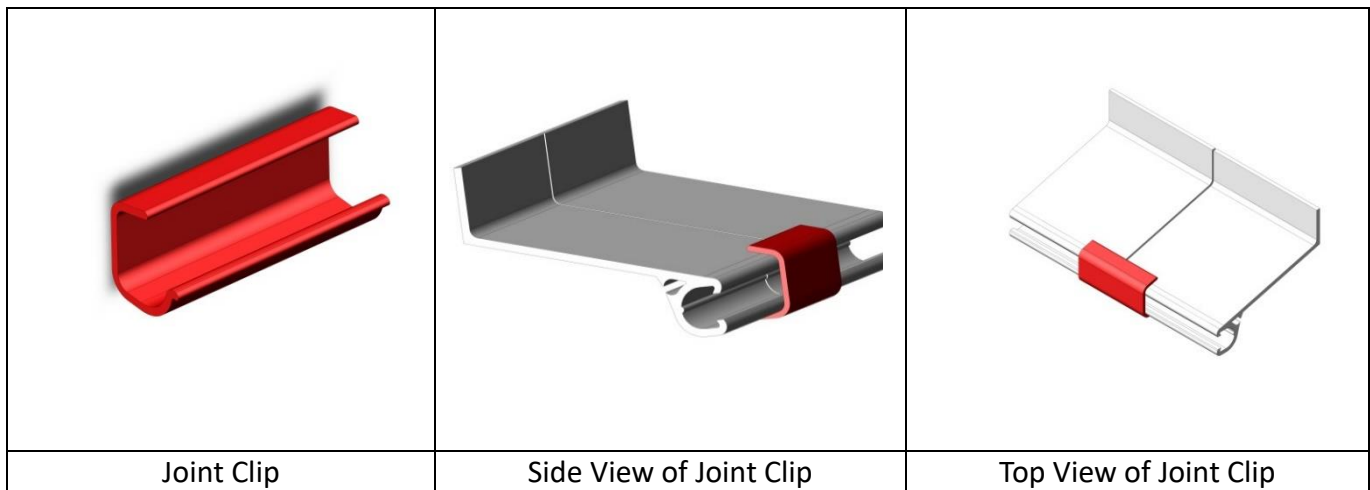
Thru-Wall Flashing Receiver System

Flash Trac, Inc.

"NO FLASHING BEFORE IT'S TIME"

INSTALLATION SHEET
www.flashtracsystems.com

Joining multiple pieces of Flash Trac



When installing two or more pieces of Flash Trac receiver, each piece should be butted end to end. The face of each joint must have a joint clip installed on the face of the track to help hold the two pieces aligned. **DO NOT** tape the clip to the receiver. This clip will be removed before the installation of the rod. **CAUTION:** The sections of the receiver must be installed perfectly level and in complete alignment with the previous section. Failing to do so will prevent the rod from seating properly. See the illustration above.



Joint Taping



Do Not Cover the Face of the Receiver

The joints shall be taped using an exterior grade detailing tape. Flash Trac components are not affected by any type of tape.

Once the insulation has been applied, remove or cut the tape covering the jaw of the receiver. If necessary, clean the area in front of the jaw of the receiver of any overspray of insulation.



Thru-Wall Flashing Receiver System

Flash Trac, Inc.

"NO FLASHING BEFORE IT'S TIME"

INSTALLATION SHEET

www.flashtracsystems.com

Installing the Membrane Flashing

Notice to Users

Only a non-adhered membrane should be used with the Flash Trac System.

The Flash Trac System has been designed for easy installation. If you experience any difficulty using the system, STOP and call for additional instructions or advice. We are happy to help you with any questions or issues you might encounter.

General Instructions

There is no set procedure for installing the membrane into the Flash Trac receiver. Each set of operators will develop their own system that works best for them. It may seem awkward at first but after a short time, the operators will have it worked out. The key is to not get frustrated. We have included a system that some use that seems to work well.

- Begin by rolling the membrane flashing out several feet.
- Two installers can lift the membrane up with the bottom edge of the membrane approximately 2 to 3 inches below the bottom of the jaw of the receiver. **Caution:** Letting the membrane fall too far below the jaw of the receiver will result in the membrane being too short to properly cover the brick shelf or angle iron.
- A third installer can place the rod over the front of the flashing.
- Insert the jaw of the installation tool over the raised ridge of the rod.
- Give the installation tool a brisk strike with a hammer to set the membrane in the jaw of the receiver. **Note:** The rod needs to be fully inserted into the jaw of the receiver.
- It sometimes makes the installation a lot easier and faster if a lubricant such as soapy water is applied to the backside of the membrane that is going to be inserted into the receiver.
- Once the membrane is set, the installer with the hammer and installation tool can slide down the line striking the installation tool and installing the membrane as shown in our video.
- As the installation progresses, the two installers holding the membrane will move in succession with the installer until the wall is completed.
- The membrane will be allowed to fall as the installers move down the wall.
- At the end of the run, you will have a row of perfectly installed membrane with no contamination.
- If the membrane roll runs out, a new roll can be started. Simply overlap the old roll and the new roll a minimum of four inches. The receiver will accommodate the overlap.