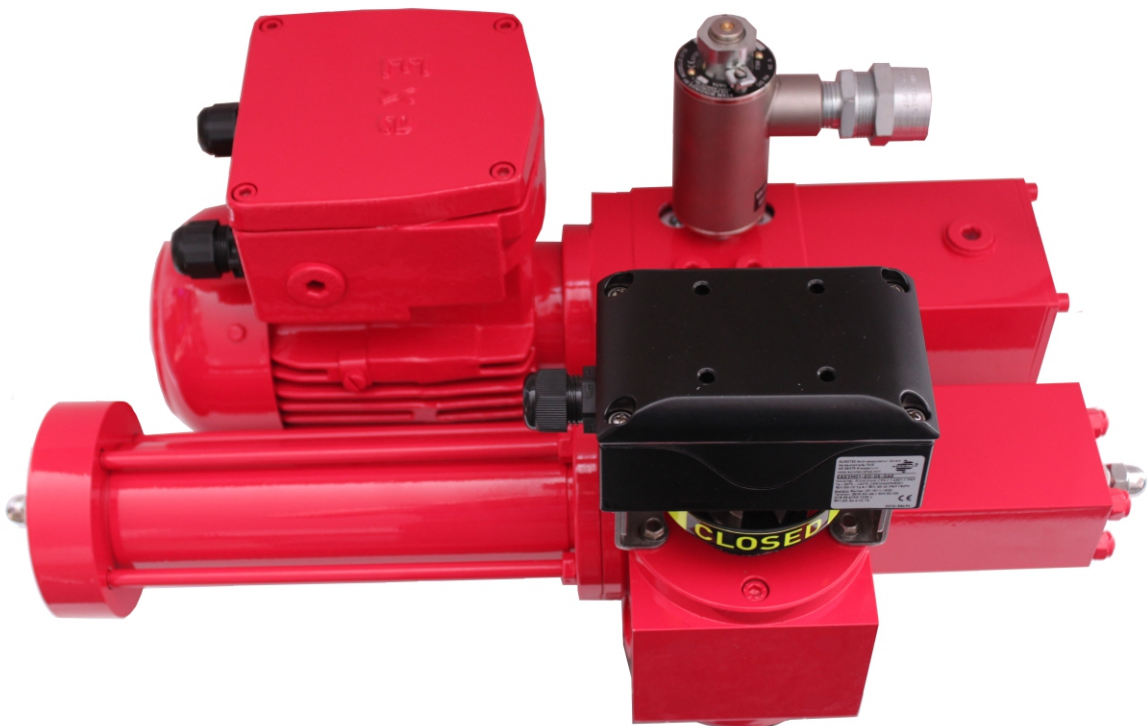


# PRODUCT INFORMATION

Electro Hydraulik Actuator  
High Pressure PA  
Low Pressure PANDA



# Product description

We developed a new generation of electro hydraulic valve actuators to offer an alternative product to electric and pneumatic actuators. Our actuators are compact, reliable, simple to install and operate and we can offer a competitive price-performance ratio.

We offer on/off, as well as modulating actuators. Fail safe function is available for any type.

Usually, the control of our actuators are taken over by the process control. The actuator only need power supply in a range from 24VDC to 400VAC.

For spring return actuators, a solenoid valve keeps the actuator in position. For double acting actuators, we supply reversible hydraulic pumps and motors.

The simply design allows us to keep prices very low.

All actuators are available with complete control cabinet and modulating software.

The major advantage of hydraulic drive engineering are a very good efficiency factor and a high power density. Very high output power can be realized with little input power. The reason are the direct connection between pump and hydraulic cylinder. Due to the fact of permanent oil wetting of most wear parts, the actuators run nearly free of wear out.

For operation in case of power failure, a hydraulic system offers easy ways to store the energy for emergency cases. Spring return actuators or the usage of pressure accumulator are available.

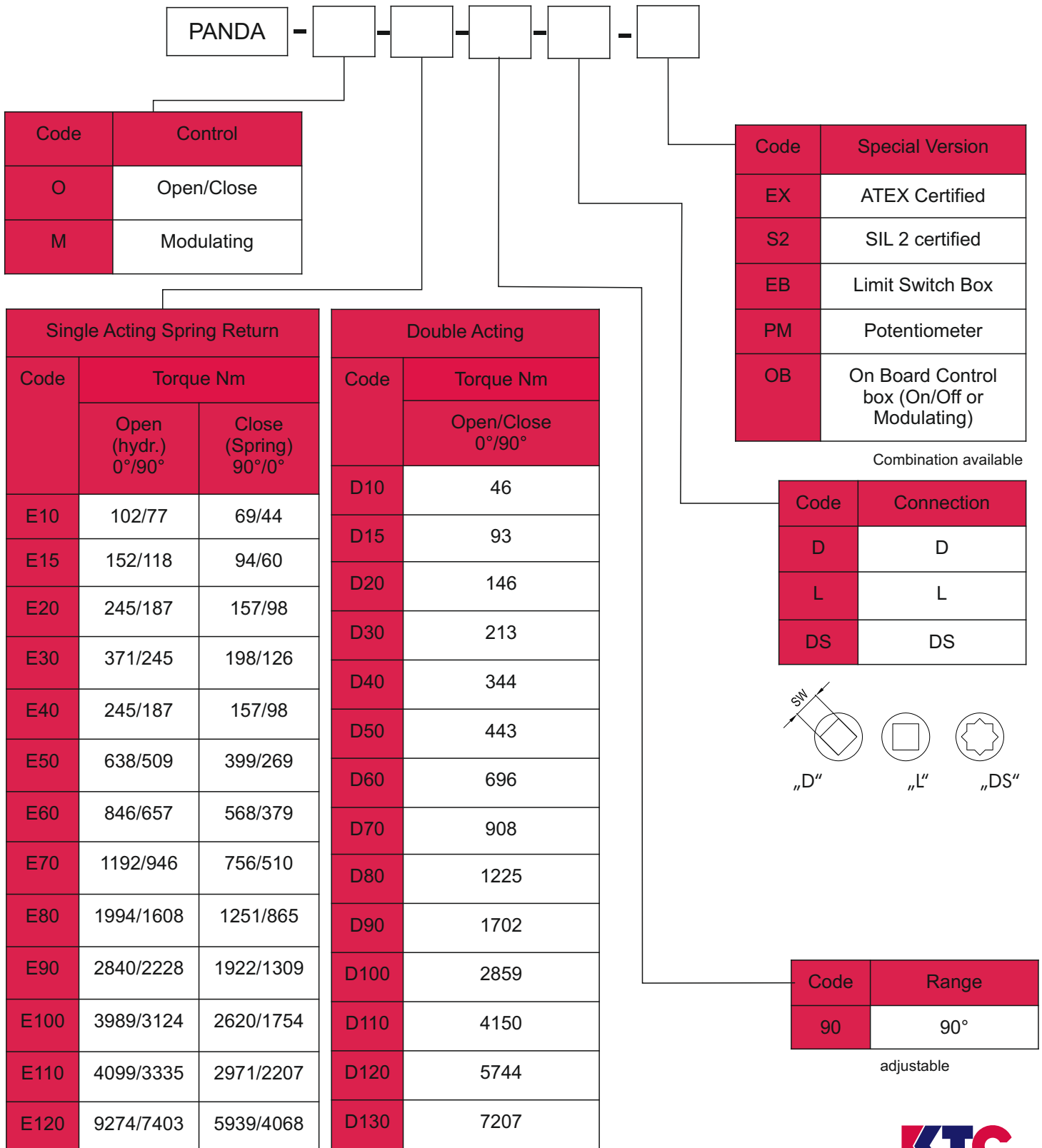
We are oriented towards norms and directives as:

- ATEX 94/9/EG
- Non electrical devices in EX areas DIN EN 13463
- Directive 2006/42/EG
- Safety for machinery EN ISO 12100
- Safety for hydraulic systems EN ISO 4413
- Functional safety DIN EN 61511-1
- Quality management according to ISO 9001: 2008

KTC Systemtechnik GmbH  
Adlerhorst 3  
22459 Hamburg  
[www.ktc-systemtechnik.de](http://www.ktc-systemtechnik.de)

## Product Selection

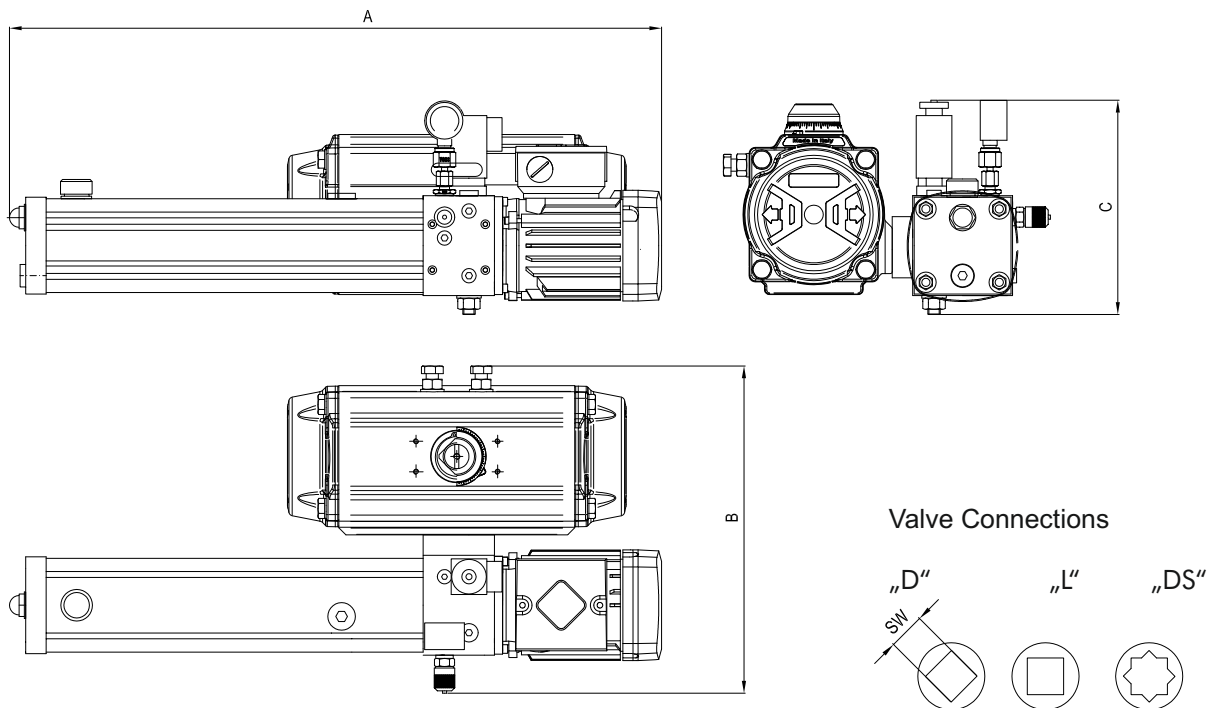
Part-Turn-Aktuator low pressure Type: PANDA



# Technical Data

## Part-Turn-Aktuator low pressure Type: PANDA

- |   |  |
|---|--|
| <ul style="list-style-type: none"> <li>• Motor Voltage: 400 V 50/60Hz / 230V 50Hz</li> <li>• Power consumption: 180W bis 250W</li> <li>• Solenoid Valve: 24VDC / 230V 50Hz</li> <li>• On Board pressure <math>p_{max.}</math>: 8,0bar</li> <li>• Speed: adjustable by throttle</li> <li>• Medium: Hydraulic oil HLP, filtered min. 10<math>\mu</math>m</li> </ul> | <ul style="list-style-type: none"> <li>• Ambient Temp.: -20°C...50°C</li> <li>• Harzadous Areas: Zone 1 and 2</li> </ul> |
|---|--|

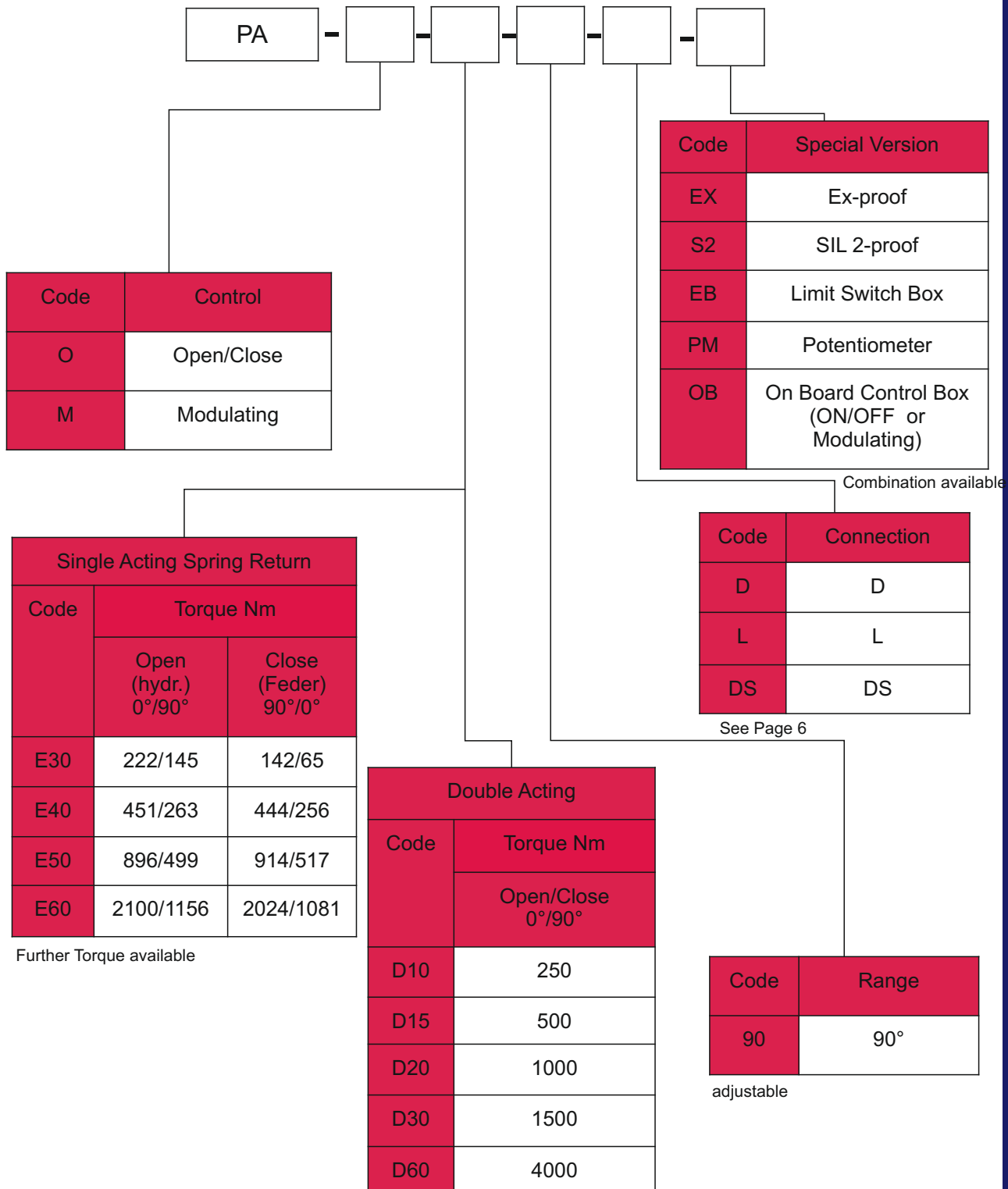


	Dimensions (mm)			Standard		
	A	B	C	Oil (L)	Flange ISO 5211	Connection SW x dept
D10	410	298	210	0,3	F05/F07	DS 14x16
D15	460	306	210	0,6	F05/F07	DS 14x18
E10/D20	460	279/332	210	0,6	F05/F07	DS 17x19
E15/D30	640	292/350	210	1,5	F07/F10	DS 17x24
E20	640	314	210	1,5	F07/F10	DS 22*30
E30	640	321	210	1,5	F07/F10	DS 22x34

Other Dimensions available on request  
Modulating Actuators may differ from above.

## Product Selection

Part-Turn-Aktuator high pressure Type: PA

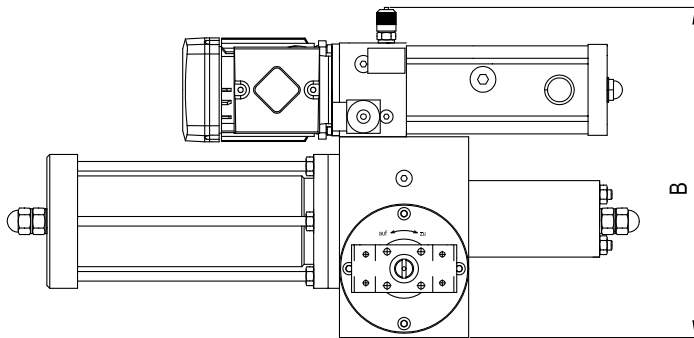
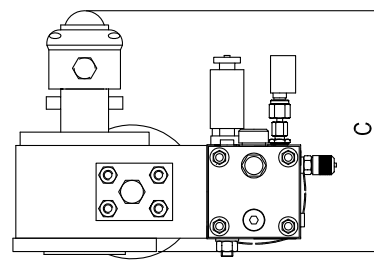
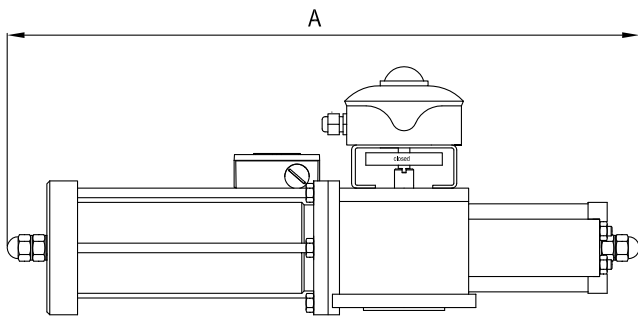


# Technical Data

## Part-turn-Aktuator high pressure Type: PA

- Motor Voltage: 400 V 50/60Hz / 230V 50Hz
- Power consumption: 180W bis 250W
- Solenoid Valve: 24VDC / 230V 50Hz
- On Board pressure  $p_{max.}$ : 180bar
- Speed: adjustable by throttle
- Medium: Hydraulic oil HLP, filtered min.  $10\mu m$

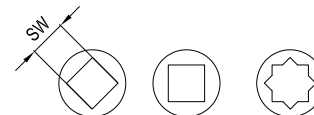
- Ambient Temp.:  $-20^{\circ}C...50^{\circ}C$
- Harzadous Areas: Zone 1 and 2



Connection „D“

„L“

„DS“



	Dimension (mm)			Standard		
	A	B	C	Oil (L)	Flange ISO 5211	Connection SW x depth
E30	526	300	232	0,3	F10	DS 14x20
E40	673	355	252	0,3	F12	DS 22x35
E50	834	350	260	0,3	F12	DS 27x40
E60	1117	410	277	1,0	F14	DS 36x40

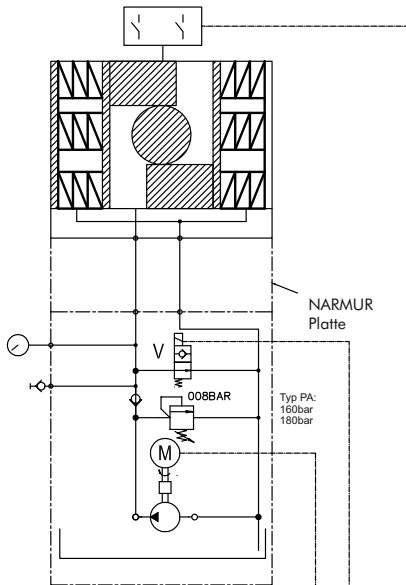
Torque up to 10.000 Nm available on request

## Schematic Diagram

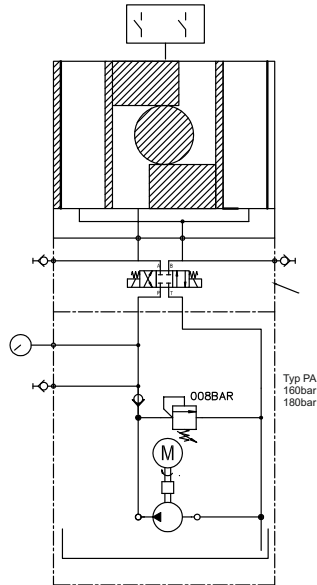
Part-Turn-Aktuator low pressure Type: PANDA

Part-Turn-Aktuator high pressure Type: PA

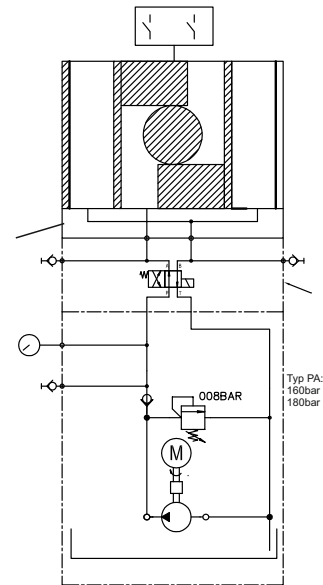
PANDA-O-E...90-\_-EB-OB  
Single Acting Open/Close



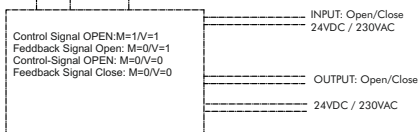
PANDA-M-D...90-\_-  
Double Acting



PANDA-O-D...90-\_-  
Double Acting



Control Box optional



230V 50/60Hz 1phs  
400V 50/60 Hz 3phs  
PANDA: 30 - 250Watt  
PA: 250 - 750 Watt

Simplified Schematic Diagram

# Company Profile

Company:	KTC Systemtechnik GmbH Adlerhorst 3 22459 Hamburg Phone.: +49-40-5714 752 0 info@ktc-systemtechnik.de www.ktc-systemtechnik.de
Founding:	2010
Products:	<ul style="list-style-type: none"><li>• Actuators for industrial Valves Electro hydraulic, linear (LA), 1/4turn (PA / PANDA), single / double acting</li><li>• Hydraulic Systems Complete hydraulic systems with control cabinets hardware and software</li><li>• Hydraulik cylinder</li></ul>
Service:	<ul style="list-style-type: none"><li>• PLC-Programming</li><li>• Machine automation</li><li>• Machine repair</li><li>• Process optimization</li><li>• Process automation</li></ul>