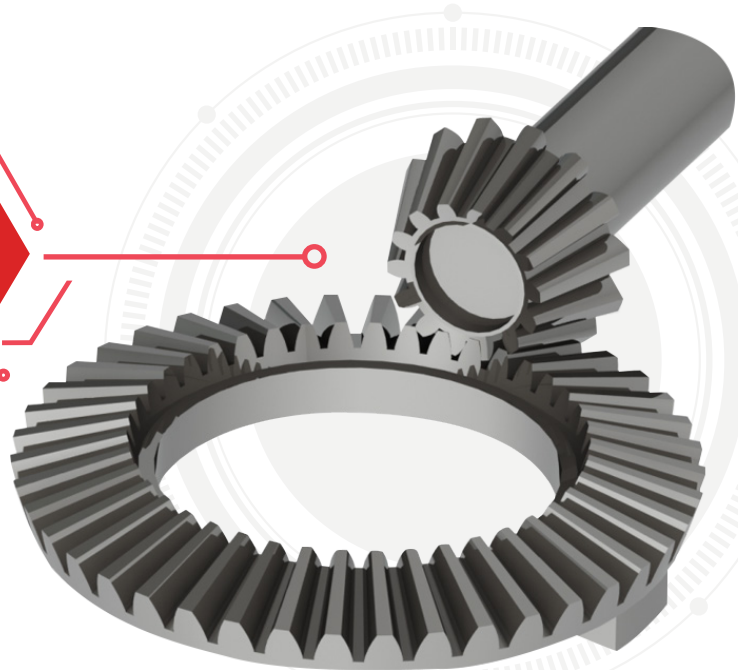




SUSIN I-TORK INDIA PRIVATE LIMITED
An ISO 9001 -2015 Certified Company



MECHANICAL ACTUATORS



BEVEL GEAR ACTUATOR SERIES



Scan QR Code to
download E-Catalogue

MAB Series

SUSIN I-TORK

INDIA PRIVATE LIMITED

Susin Group was founded by Mr. Muthukumar in 1992, as a company specialized in the design, manufacture and installation of Valve Automation Products to Different Industries. We entered the manufacturing market in 2006 and began concentrating more on the industrial demands for valve automation.

We are providing Complete Automation Solution to All kind of Valve Industries where we equipped to Support in Pneumatic, Hydraulic, Electrical & Mechanical Actuators. Susin Produces various range of Critical Products in different Applications

OUR GLOBAL PARTNERS



Bevel Series

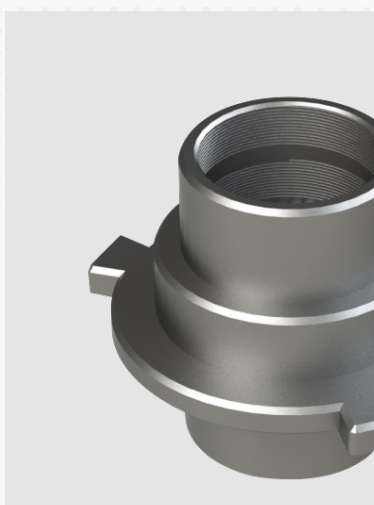
Application

Bevel gear actuator is used for Multiturn purpose. So, it was mostly used in Gate & Globe valve and other Linear valve applications. Also, the bevel gear has many diverse applications such as locomotives, marine applications, automobiles, printing presses, cooling towers, power plants, steel plants, railway track inspection machines, etc.

We focus to build our MAB (Mechanical Actuator Bevel Series) to meet the requirement for the specific industries like Oil & Gas, Power, Water, General, Wind, Steel and etc. Most suitable for Gate & Globe valves with different material construction to adopt with all the critical environmental conditions.

Features

- ☑ Ductile casting housings & covers
- ☑ stem nut as screw jack
- ☑ IP-67 Rating
- ☑ High & low temperature version (Optional)
- ☑ Suitable for ambient temperature -20°C to + 80°C
- ☑ High performance bearings
- ☑ Widely used on the Gate & Globe valves
- ☑ Top quality corrosion protection with painting



Drive Sleeve

- ☑ Easily replaceable splined stem bush has been permitted inside the drive sleeve.
- ☑ Dual locknuts has been permitted to arrest the movement of the stem bush.
- ☑ Highly strengthen brass material has used for the stem bush

Notes : For Optional MOC Pls Consult Factory

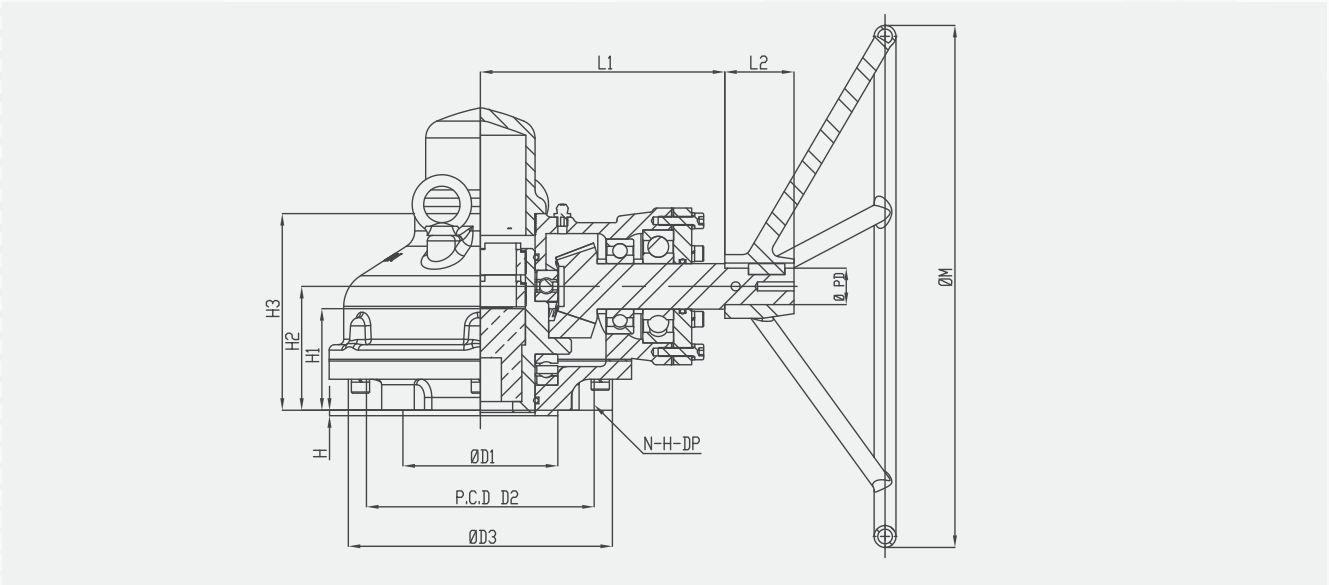
Technical Specification

Model No	Gear ratio	Allowable Max. Stem TW / Ø (KEY)	Max. Torque capacity		Max. Thrust capacity		Mech Advantage	Max. Input Torque		Mount Pattern		Weight Kg
			N.m	Lbf - ft	N	Lbf		N.m	Lbf - ft	Standard	Option	
MAB-075	2.5:1	28 / Ø22 (8x7)	250	184.4	75000	16860.7	2.27	110	81.1	F-10	F-07	7.5
MAB-100	3.0:1	36 / Ø28 (8x7)	420	309.8	100000	22480.9	2.72	154	113.6	F-12	F-10	10.5
MAB-125	3.5:1	44 / Ø36 (10x8)	700	516.3	125000	28101.1	3.18	220	162.3	F-14	F-12, F-10	18.1
MAB-150	3.75:1	54 / Ø42 (12x8)	1100	811.3	150000	33721.3	3.40	322.7	238.0	F-16	F-14	24
MAB-200	4.0:1	62 / Ø55 (16x10)	1600	1180.1	200000	44961.8	3.63	440	324.5	F-20	F-14, F-16	34
MAB-300	5.0:1	70 / Ø65 (20x12)	2500	1843.9	300000	67442.7	4.62	540.2	398.4	F-25	F-16, F-20	48.5
MAB-350	5.5:1	84 / Ø80 (22x14)	3800	2802.7	350000	78683.1	5.24	725	534.7	F-30	F-25	86
MAB-400	6.0:1	95 / Ø90 (22x14)	5600	4130.3	400000	89923.6	5.70	980	722.8	F-30	F-25	120
MAB-500	6.5:1	110 / Ø95 (25x14)	7800	5752.9	500000	112404.5	6.19	1260	929.3	F-35	F-25, F-30	176

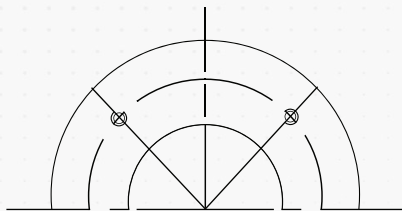
Mentioned specifications & dimensions are subject to change without prior notice for quality improvement

(240312)

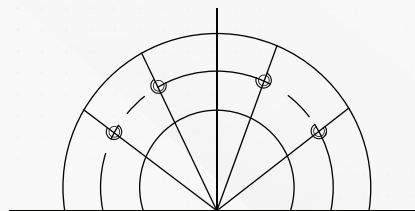
Susin I-tork Bevel Gear Actuators MAB SERIES



ISO 5210 FLANGE MOUNTING DETAILS



Type - A



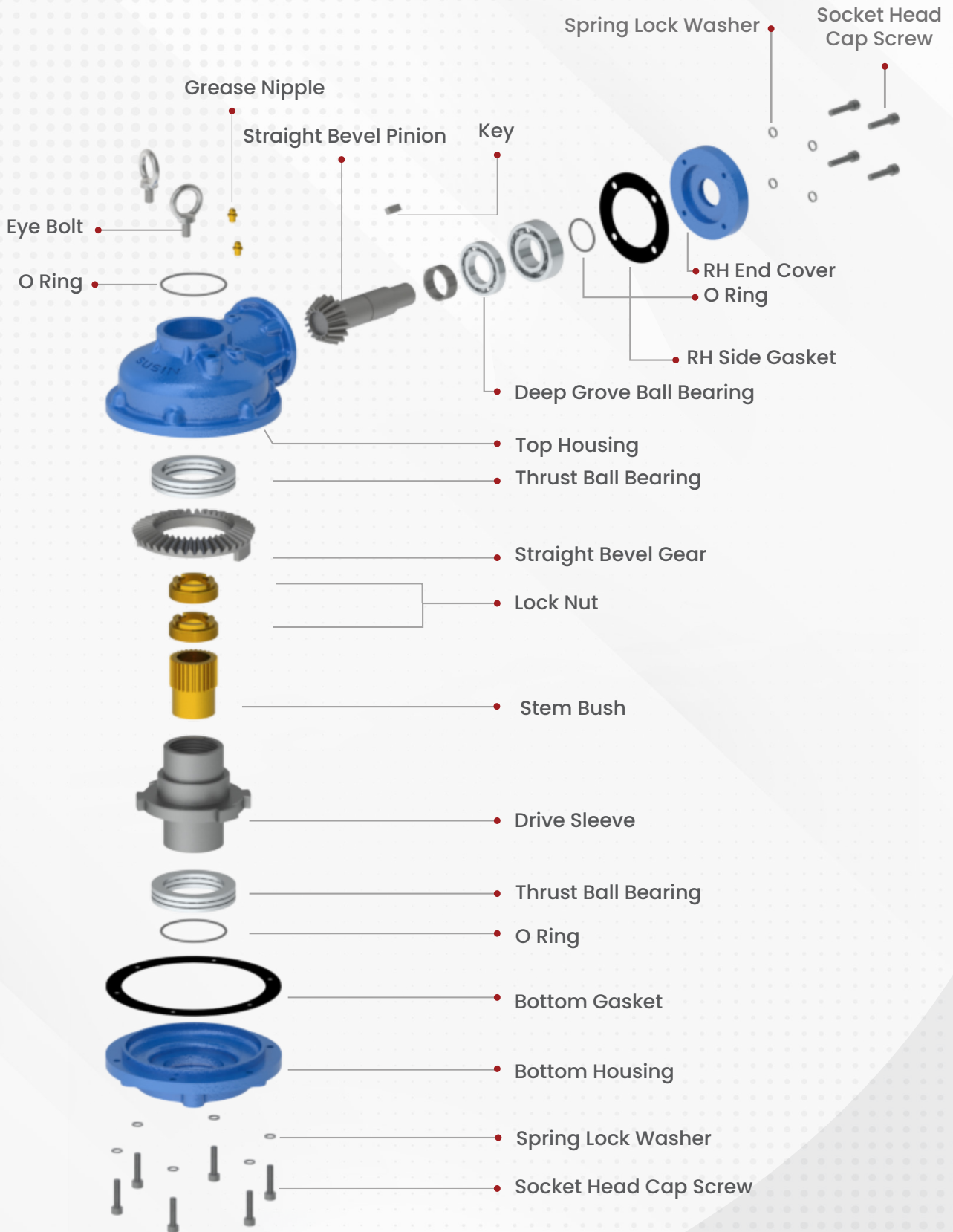
Type - B

Dimension Details

MODEL NO	TYPE	FLANGE	BASE PART				EXTERNAL PART					INPUT SHAFT PART		HAND WHEEL ØM	STEM COVER	
			ØD1	P.C.D		ØD3	H	H1	H2	H3	L1	L2	ØPD			KEY
				ØD2	N-H-DP											
MAB-075	A	F10	55	70	4-M10-15	120	2	55	67	100	110	33	20	6x6	300	PF 2"
MAB-100	A	F12	85	102	4-M12-20	145	3	55.8	68	108	134	33	20	6x6	300	PF 2"
MAB-125	A	F14	100	140	4-M16-20	170	3	58.5	77	118	145.3	38	25	8x7	400	PF 2 1/2"
MAB-150	A	F16	130	165	4-M20-20	200	3	76.5	86	133	161.25	45	25	8x7	500	PF 3"
MAB-200	B	F20	140	205	8-M16-30	245	3	80	100	154	196	56	30	10x8	630	PF 3"
MAB-300	B	F25	200	254	8-M16-30	300	3	98	108	166	230	35	30	10x8	710	PF 4"
MAB-350	B	F30	230	298	8-M20-35	350	3	121	136	205	294	45	45	12x8	800	PF 5"
MAB-400	B	F30	230	356	8-M20-35	410	3	138	154	218	315	45	45	12x8	900	PF 5"
MAB-500	B	F35	260	406	8-M30-40	415	3	163	180	255	326	45	45	12x8	900	PF 6"

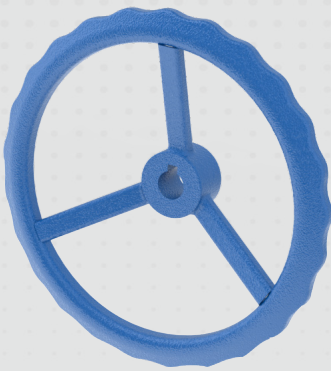
Mentioned specifications & dimensions are subject to change without prior notice for quality improvement

Exploded View



Handwheel

- ✔ Varies type of casting, fabricated handwheels & chain wheels can be offered by Susin.
- ✔ High quality material has been used for best construction.
- ✔ Hand wheels provide a simple and direct way to manually control valves.
- ✔ **Quick Response** : With hand wheels, you can quickly open or close valves in response to changing conditions, maintenance needs.
- ✔ **Visual Positioning** : Hand wheels have markings or indicators that show the position of the valve. This visual reference allows operators to determine the valve's status at a glance.



Casting Wheel
Ranges from 8" to 16"



Chain Wheel
Ranges from 4" to 20"



Fabricated Wheel
Ranges from 8" to 40"

Painting

- ✔ Applicable as per the standard ISO 12944-2
- ✔ We are providing our products in the following standard colors

S NO	COLOR NAME	COLOR CODE	RANGE (micron)
1	Sky Blue (STANDARD)	RAL 5015	150 TO 225
2	Brown Red (OPTIONAL)	RAL 3011	150 TO 225
3	Jet Black (OPTIONAL)	RAL 9005	150 TO 225

We provide special painting for marine applications and we can able to custom build color as per the customer requirement if it is possible



Material of Construction

DESCRIPTION	MATERIAL	
	NAME	ASTM
Housing	Ductile iron	A536-65-45-12
Bottom Housing	Ductile iron	A536-65-45-12
Bevel Gear	Carbon Steel	A576-1045
Bevel Pinion	Carbon Steel	A576-1045
RH End cover	Ductile iron	
Drive Sleeve	Ductile iron	A536-65-45-12
Locknuts	Steel	A576-1045
Stem bush	Brass	B584-C86500
Thrust Ball Bearing	Special Steel	A295-52100
Deep Groove Ball Bearing	Special Steel	A295-52100
O-Ring	NBR	Buna N
Collar	Steel	A53
Grease Nipple	Brass	B584-52100
Bottom Housing Gasket		Non-Asbestos
End Cover Gasket		Non-Asbestos
Eye Bolt	Steel	
Socket Head cap Screw	Steel	
Spring lock washer	Steel	

Other Products



Hydraulic Actuators
(Rotary & Linear types)

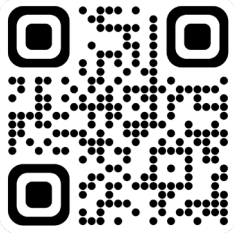


Electrical Actuators



Pneumatic Actuators
(Rotary & Linear types)

Susin Group Global Presence



Scan QR Code to
download E-Catalogue

MANUFACTURING FACILITIES

INDIA

SUSIN I-TORK INDIA PRIVATE LIMITED
43A9 , Vadakku Thottam, Idigarai,
Coimbatore, Tamilnadu, India - 641022
E-mail : venkat@susinma.com
Website : www.susinma.com
Tel : +91 95009 96064

KOREA

I-TORK CONTROLS LTD
74-6 , Chunui-Dong, Wonmi-Gu, Bucheon Si,
Gyeonggi-Do, South Korea, Zip : 420-120
Tel : +82-2-855-1365
Fax : +82-2-855-1367
E-mail : we123@itork.com
Website : www.i-tork.com

Germany

KTC SYSTEMTECHNIK GMBH
Krähenweg 11, D 22459 Hamburg,
Germany
Tel : +49 (0)40 5714752-0
Fax : +49 (0)40 5714752-22
E-mail : teichler@ktc-systemtechnik.de

SALES & SUPPORT

SINGAPORE

AHF INDUSTRIES - HEAD OFFICE
2 , Kallang Pudding #07-12, #06-05/06,
Mac Tech Building Singapore, 349307
Tel : +65 6748 8108
Fax 1 : +65 6842 5567
Fax 2 : +65 6748 8917

MALAYSIA

AHF ENGINEERING Sdn. Bhd.
No 5 , Jalan USJ 1/31, Taman Subang Permai,
47600 Subang Jaya Selangor, Malaysia
Tel : +603-8024-0940
E-mail : cky@ahfengineering.com
sales@ahfengineering.com

UNITED ARAB EMIRATES

SUSIN I-TORK ME FZC
Y61 , Executive Suite
Post Box No - 122643, Saif Zone Sharjah
United Arab Emirates
Tel : 971 529407969
Fax : +65 6748 8917