

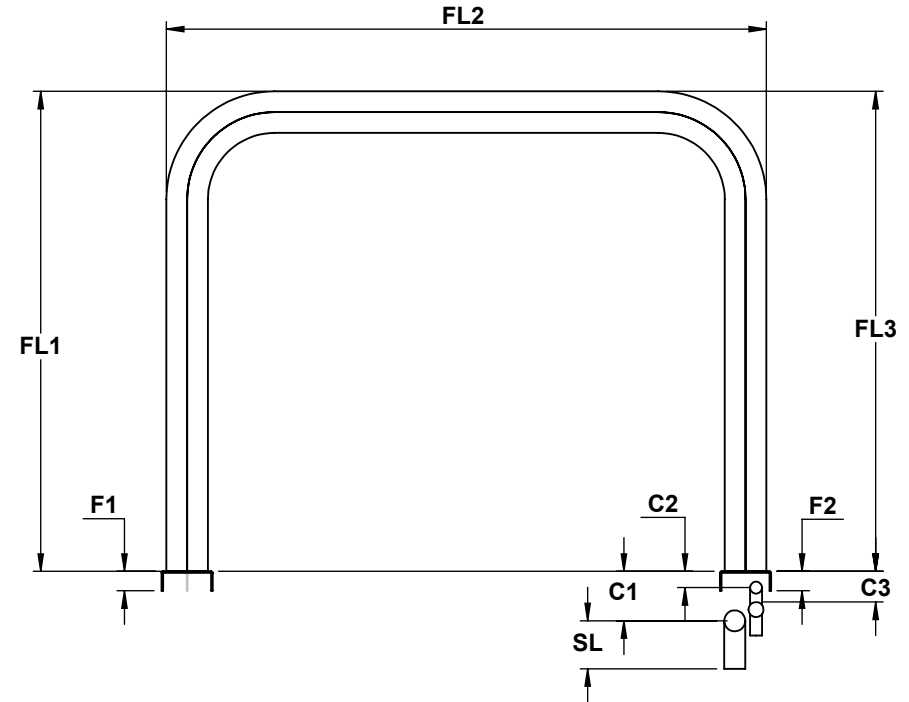
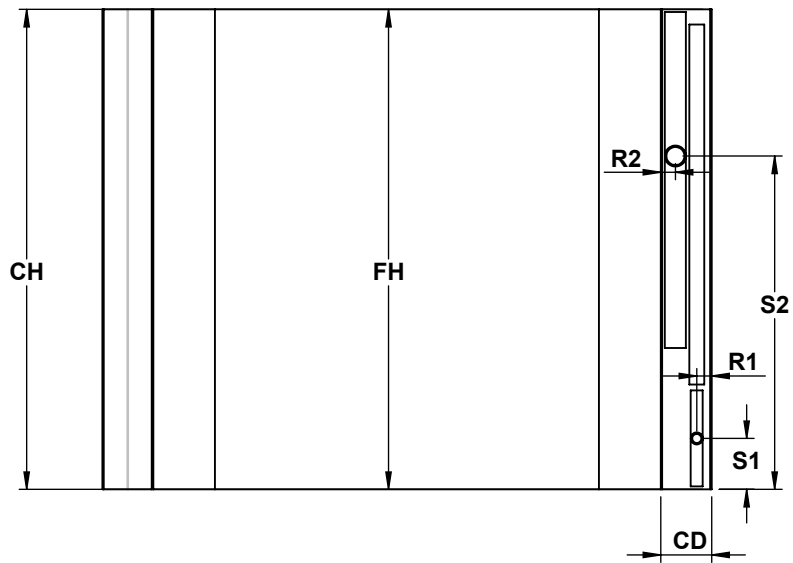


Martin Coil

310 Park Ave Kent, OH 44240
 TEL. (800) 635-4363 / FAX : (330) 673-7467

CONDENSER U-SHAPE-LH

COMPANY :					PROJECT :			Qty:			DATE :	
FH	FL1	FL2	FL3	Rows	FPI	Tube Size	Circuits	Tube Material	Fin Material	Casing Material	Supply/Return manifold Size	Connections
											HG:	HG:
											LQ:	LQ:



CH	CD	S1	S2	R1	R2	C1	C2	C3	F1	F2	SL	NOTE:

SPECIFICATION SHEET