

Application : MASONRY WALL (8")

Minimum requirements for walls R-value for all climate zones, please refer to local standards and regulations upon needs.

Drawing References : USCCW-02 334W022

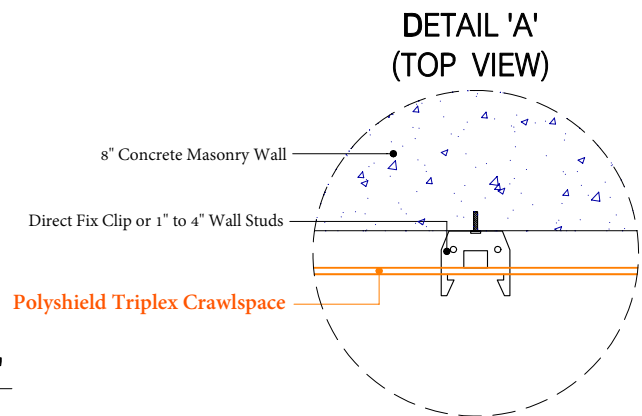
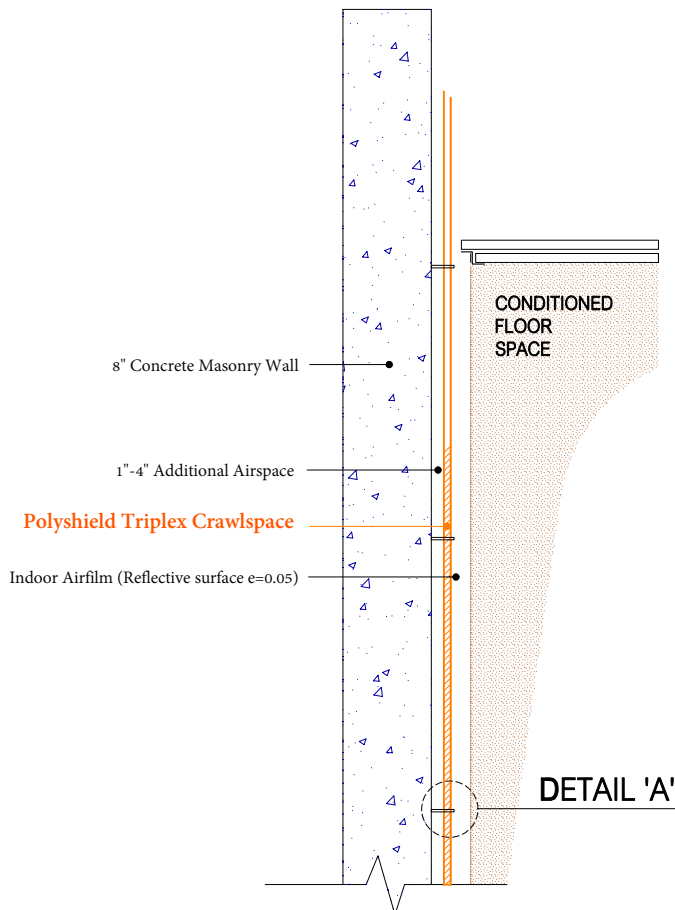
Updated version : Feb 2019

Insulation proposed : Polyshield Reflective Insulation

Product : **Polyshield Triplex Crawlspace**



For complete design rules and concessions for reducing R value in walls by building classifications and climate zones, please consult with Polyshield authorized distributors.



Product Name	No Airspace	Additional Airgap/Up to 4" Airspace
Polyshield Triplex Crawlspace (1")	11.58	Plus 5.5 R-Value Per Inch
Polyshield Triplex Crawlspace (1")	11.58	1" Airgap = 17.08 R-Value
Polyshield Triplex Crawlspace (1")	11.58	2" Airgap = 22.58 R-Value
Polyshield Triplex Crawlspace (1")	11.58	3" Airgap = 33.58 R-Value

The proposed R-values rating of Polyshield Reflective Insulation products are calculated based on REFLECT 3 Software and AIRAH Hand Book.

Compliance method: Deem To Satisfy

Ref:

SPECIFICATION AND INSTALLATION GUIDE -Concrete tilt slab: Attach a direct fix clip or spacers or similar, to the concrete tilt wall. Place Polyshield onto the clips with a minimum air space as in drawing. Secure the Polyshield in place. Allow a minimum of 50mm overlaps for Polyshield sheets when using Aluminum tape, or 150mm without tape.