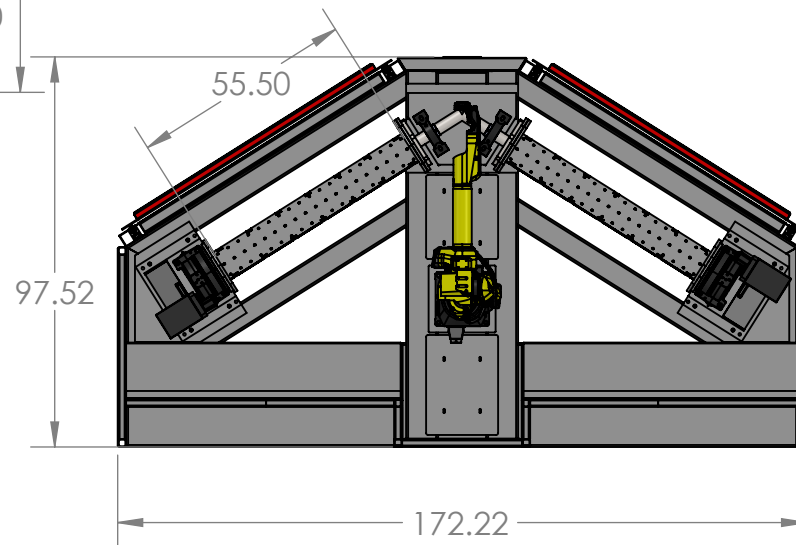
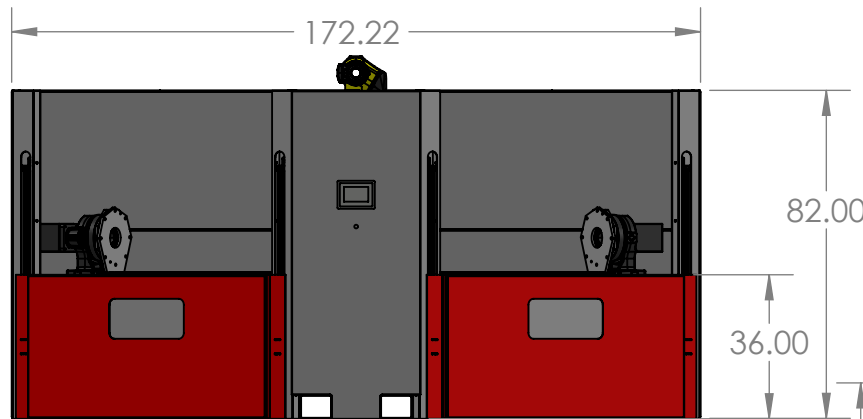


2

1

B

B



A

A

**PROPRIETARY AND CONFIDENTIAL**  
 THE INFORMATION CONTAINED IN THIS DRAWING IS THE SOLE PROPERTY OF Rice Automation. ANY REPRODUCTION IN PART OR AS A WHOLE WITHOUT THE WRITTEN PERMISSION OF Rice Automation IS PROHIBITED.

		UNLESS OTHERWISE SPECIFIED:		NAME	DATE	TITLE:		
		DIMENSIONS ARE IN INCHES	DRAWN					
		TOLERANCES:	CHECKED					
		FRACTIONAL ±	ENG APPR.					
		ANGULAR: MACH ± BEND ±	MFG APPR.					
		TWO PLACE DECIMAL ±	Q.A.			SIZE	DWG. NO.	REV
		THREE PLACE DECIMAL ±	COMMENTS:			<b>A</b>	Dual Zone Angled Front Pallet Cell Dual HSTS	
		INTERPRET GEOMETRIC TOLERANCING PER:				SCALE: 1:48	WEIGHT:	SHEET 1 OF 3
		MATERIAL						
		FINISH						
	NEXT ASSY	USED ON						
	APPLICATION		DO NOT SCALE DRAWING					

2

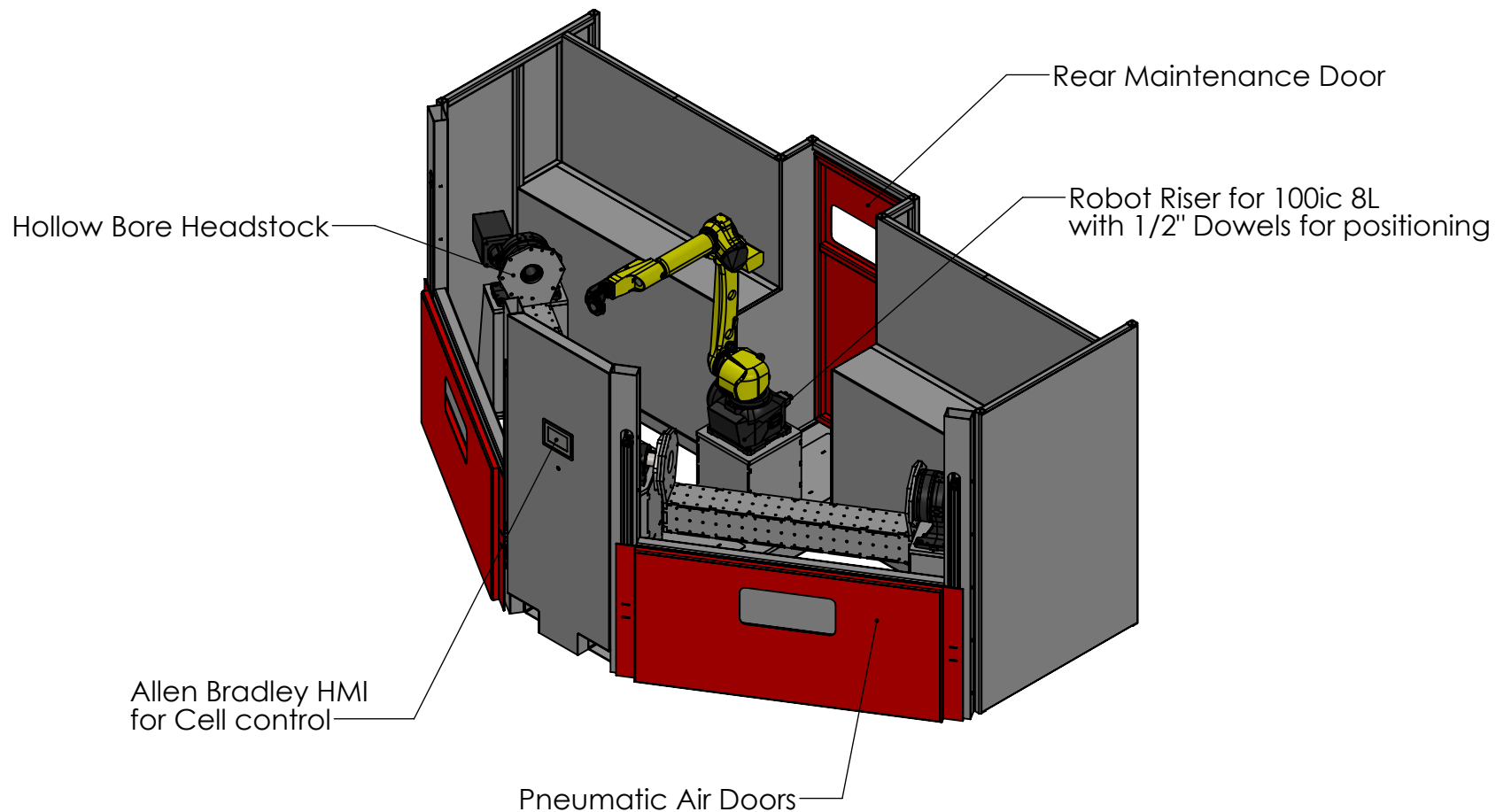
1

2

1

B

B



A

A

**PROPRIETARY AND CONFIDENTIAL**  
 THE INFORMATION CONTAINED IN THIS DRAWING IS THE SOLE PROPERTY OF Rice Automation. ANY REPRODUCTION IN PART OR AS A WHOLE WITHOUT THE WRITTEN PERMISSION OF Rice Automation IS PROHIBITED.

		UNLESS OTHERWISE SPECIFIED:		NAME	DATE	TITLE:											
		DIMENSIONS ARE IN INCHES	DRAWN					<table border="1"> <tr> <td>SIZE</td> <td>DWG. NO.</td> <td>REV</td> </tr> <tr> <td><b>A</b></td> <td>Dual Zone Angled Front Pallet Cell Dual HSTS</td> <td></td> </tr> <tr> <td>SCALE: 1:48</td> <td>WEIGHT:</td> <td>SHEET 2 OF 3</td> </tr> </table>	SIZE	DWG. NO.	REV	<b>A</b>	Dual Zone Angled Front Pallet Cell Dual HSTS		SCALE: 1:48	WEIGHT:	SHEET 2 OF 3
SIZE	DWG. NO.	REV															
<b>A</b>	Dual Zone Angled Front Pallet Cell Dual HSTS																
SCALE: 1:48	WEIGHT:	SHEET 2 OF 3															
		TOLERANCES:	CHECKED														
		FRACTIONAL ±	ENG APPR.														
		ANGULAR: MACH ± BEND ±	MFG APPR.														
		TWO PLACE DECIMAL ±	Q.A.														
		THREE PLACE DECIMAL ±	COMMENTS:														
		INTERPRET GEOMETRIC TOLERANCING PER:															
		MATERIAL															
NEXT ASSY	USED ON	FINISH															
APPLICATION		DO NOT SCALE DRAWING															

2

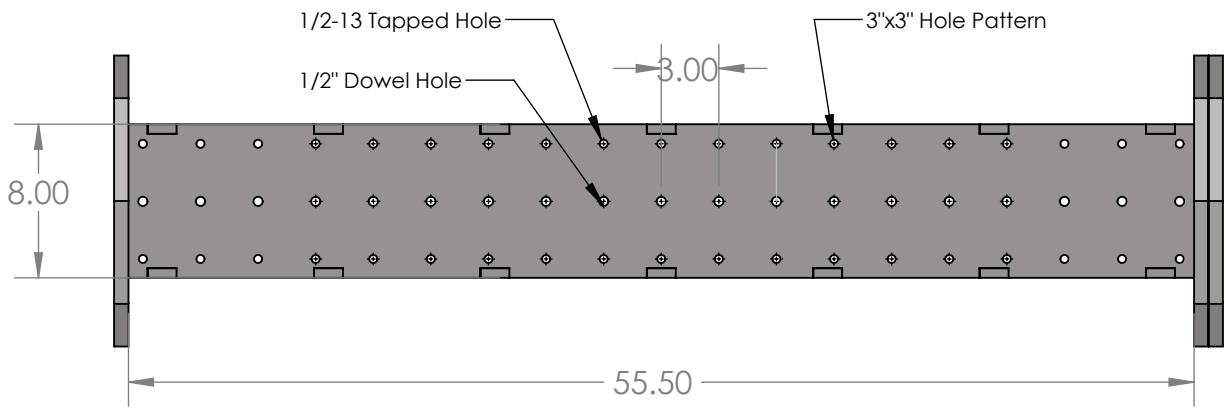
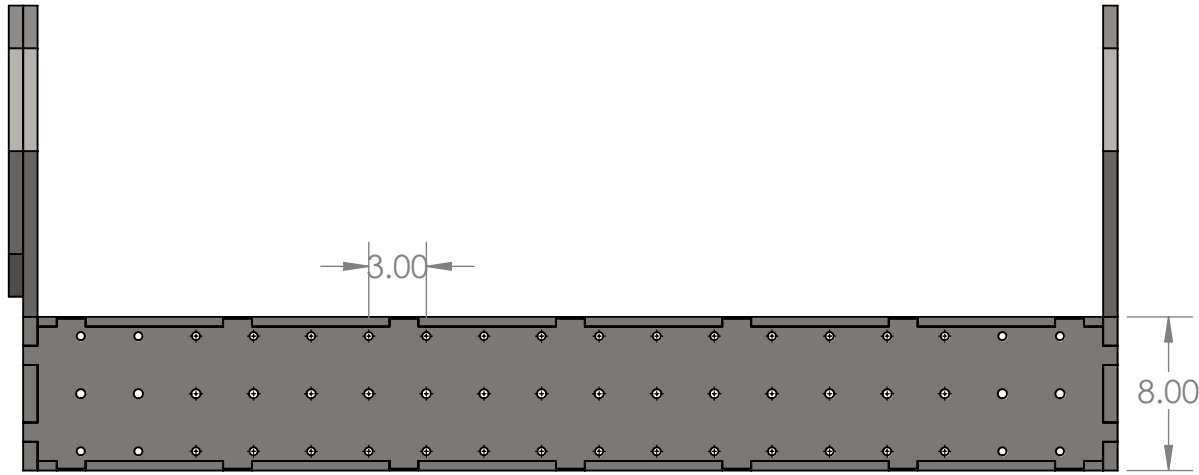
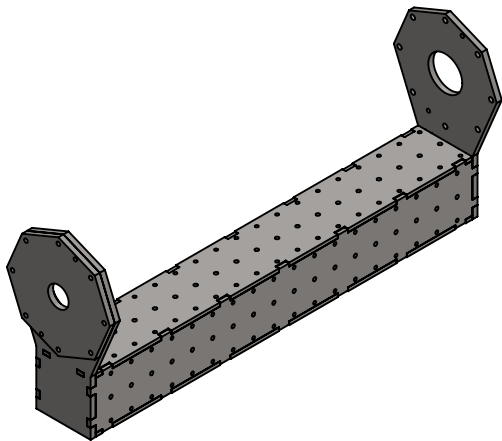
1

2

1

B

B



A

A

**PROPRIETARY AND CONFIDENTIAL**  
 THE INFORMATION CONTAINED IN THIS DRAWING IS THE SOLE PROPERTY OF Rice Automation. ANY REPRODUCTION IN PART OR AS A WHOLE WITHOUT THE WRITTEN PERMISSION OF Rice Automation IS PROHIBITED.

		UNLESS OTHERWISE SPECIFIED:		NAME	DATE	TITLE:		
		DIMENSIONS ARE IN INCHES	DRAWN					
		TOLERANCES:	CHECKED					
		FRACTIONAL ±	ENG APPR.					
		ANGULAR: MACH ± BEND ±	MFG APPR.					
		TWO PLACE DECIMAL ±	Q.A.			SIZE	DWG. NO.	REV
		THREE PLACE DECIMAL ±	COMMENTS:			<b>A</b>	Dual Zone Angled Front Pallet Cell Dual HSTS	
		INTERPRET GEOMETRIC TOLERANCING PER:				SCALE: 1:48	WEIGHT:	SHEET 3 OF 3
		MATERIAL						
		FINISH						
	NEXT ASSY	USED ON						
	APPLICATION							
			DO NOT SCALE DRAWING					

2

1