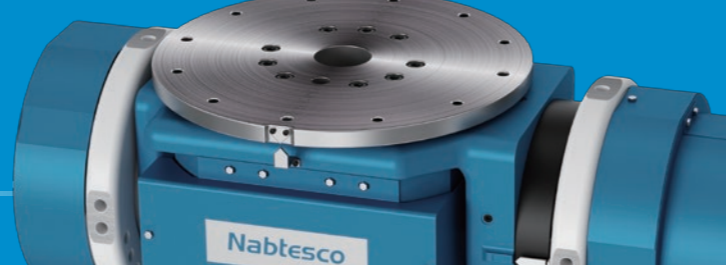
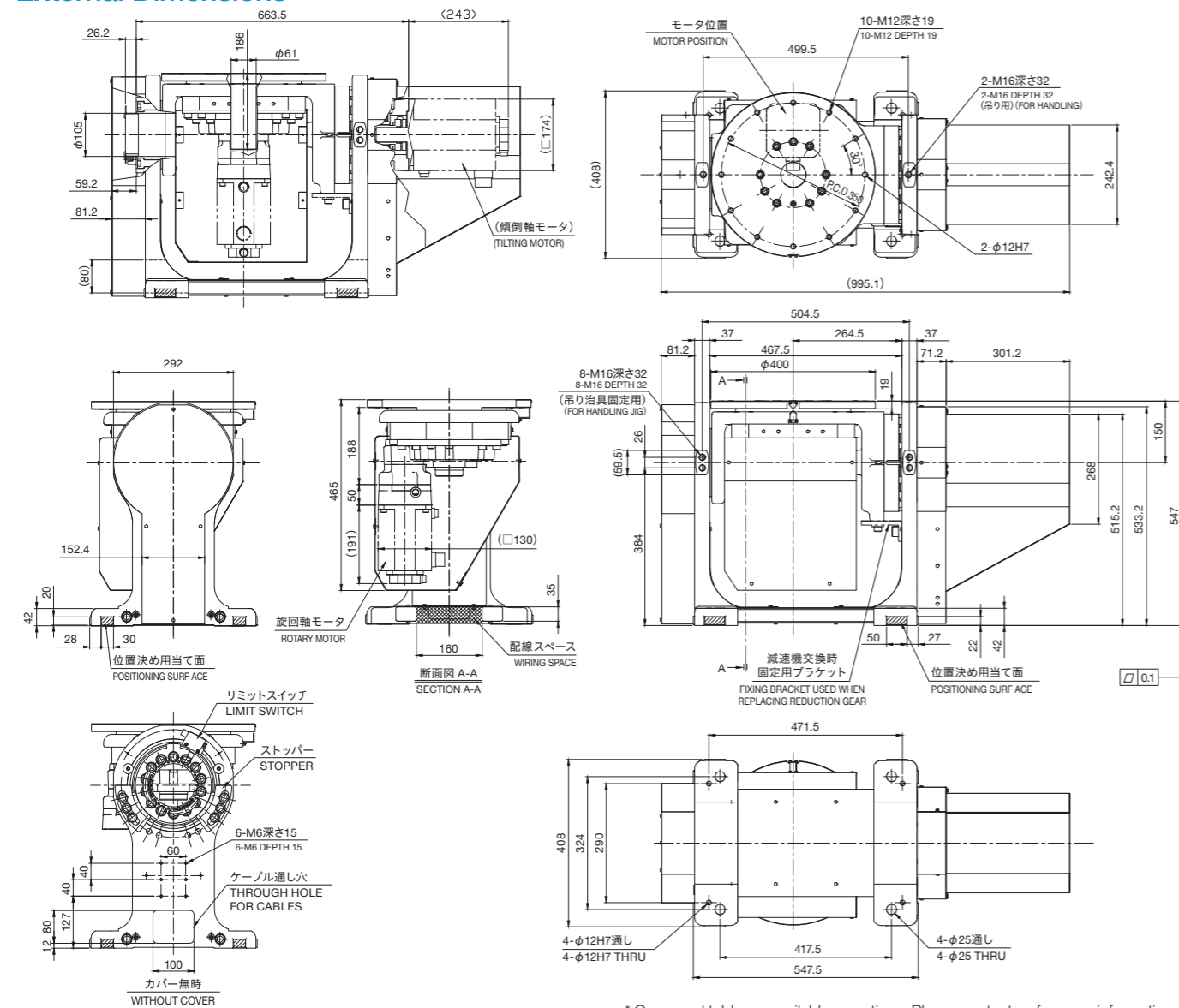


RVP™

A Series



External Dimensions



RV®

Precision Reduction Gear RV™

Gearhead for Positioners

RVP™

A Series

New Product



Nabtesco

Nabtesco Corporation

<https://precision.nabtesco.com/>



- Nabtesco, RV and RVP are registered trademarks or trademarks of Nabtesco Corporation.
- Specifications are subject to change without notice.
- Unauthorized reprinting, reproduction, copying, or translation of this catalog in whole or in part is strictly prohibited.

CAT.180425-Rev.002 (Issued on April 25, 2018)



Europe and Africa

Nabtesco Precision Europe GmbH (Düsseldorf, Germany)
 TEL: +49-211-173790 FAX: +49-211-364677
 E-MAIL: info@nabtesco.de

North and South America

Nabtesco Motion Control Inc. (MI, USA)
 TEL: +1-248-553-3020 FAX: +1-248-553-3070
 E-MAIL: engineer@nabtescomotioncontrol.com

India

Nabtesco India Private Limited (Bangalore, India)
 TEL: +91-80-4123-4901 FAX: +91-80-4123-4903

Asia and others

Nabtesco Corporation (Japan)
Nagoya Office
 TEL: +81-52-582-2981 FAX: +81-52-582-2987

Customer Support Center
 TEL: +81-59-237-4672 FAX: +81-59-237-4697

E-MAIL: P_Information@nabtesco.com

New dual axis positioner gearhead supports motors from all manufacturers

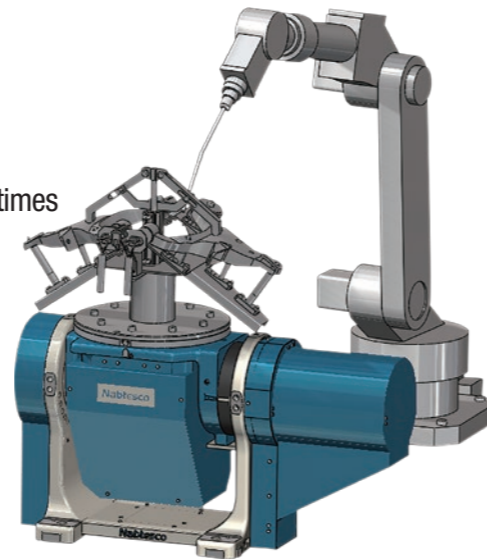
Nabtesco



Features

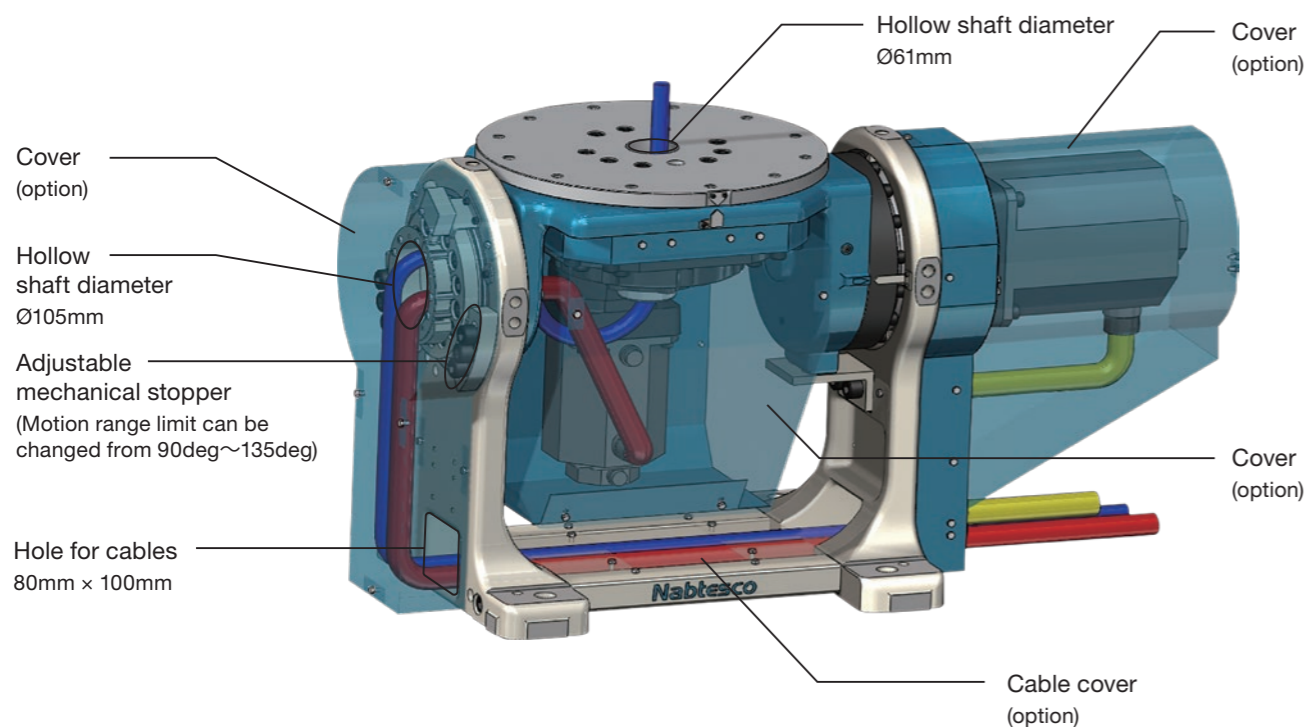
- **A gearhead utilizing the industrial robot industry-proven Precision Reduction Gear RV™**
High accuracy, rigidity, and reliability → Improved welding quality
- **Able to choose from multiple reduction ratios**
High speed, small reduction ratio → Shorter cycle and reduced production times
Standard large reduction ratio → Support for small motors
- **Support for all major servo motor manufacturers**
Compatible for collaborative work using many different robots
- **A wide variety of options are available (such as covers and stoppers)**

Application Example



Specification Table

Model	RVP-A05	
Type	Standard	High speed
Maximum allowable load	500kg	
Maximum center of gravity height	300mm	
Maximum tilt angle	±135deg	
Hollow shaft diameter (Rotary axis/Tilt axis)	Ø61/Ø105	
Allowable startup/stop torque	Rotary axis	2,450Nm
	Tilt axis	4,000Nm
Moment of inertia I ($I=GD^2/4$) motor input conversion	Rotary axis	$8.27 \times 10^{-4} \text{kg-m}^2$
	Tilt axis	$8.84 \times 10^{-4} \text{kg-m}^2$
Backlash・Lost motion	1 arc.min.	
Weight	300kg	
Reduction ratio	Rotary axis	150
	Tilt axis	155
(Reference) For a max input speed of 3,000rpm Allowable output speed (Operation Example)	Rotary axis	20rpm (2.0sec/180deg)
	Tilt axis	19rpm (1.0sec/90deg)
		100.5
		101.81 (1120/11)
		30rpm (1.33sec/180deg)
		29rpm (0.67sec/90deg)



Center of Gravity Height and Allowable Load Range

* Loading beyond this range will exceed the startup/stop torque and/or allowable moment of the reduction gear, and may damage the reduction gear.
* Loads given are reference values.

