



Page 1  
SY-09



**JIMSOAR INTERNATIONAL CORP.,**

P.O. BOX 96-10 TAIPEI, TAIWAN, R. O. C.

Tel : 886-2-27040238

Fax: 886-2-27040177

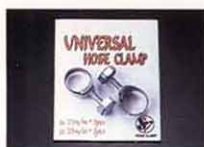
e-mail : jimsoar@ms13.hinet.net

http://www.jimsoar.com

# contents



Page 2  
SY-09



Page 9  
SY-02K



Page 17  
SY-08



Page 3  
SY-09



Page 10  
SY-01



Page 18  
SY-08-3



Page 4  
SY-09Z



Page 11  
SY-01-N



Page 19  
SY-29



Page 5  
SY-09T



Page 12  
SY-01-1



Page 20  
SY-122



Page 6  
SY-09T



Page 13  
SY-00



Page 21  
S3



Page 7  
SY-09K



Page 14  
SY-06



Page 22  
S4



Page 8  
SY-02

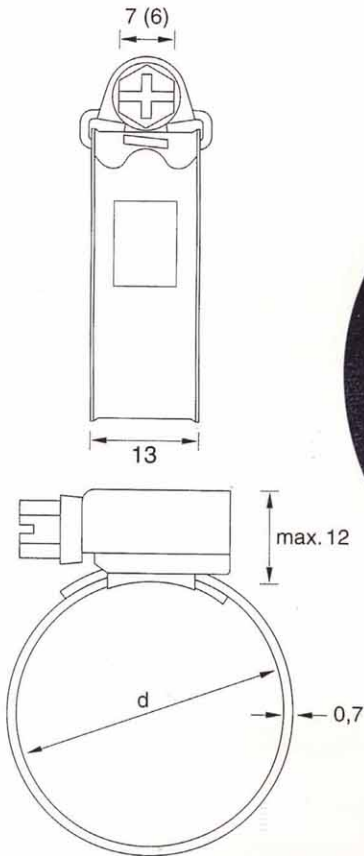


Page 16  
SY-06T



Page 23  
SY-E

# Zebra Type Clamps (13MM斑馬式管夾)

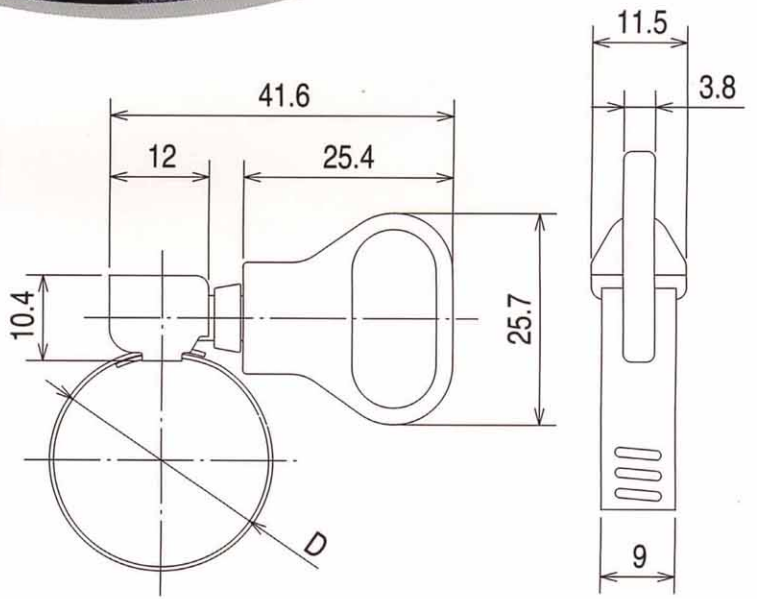
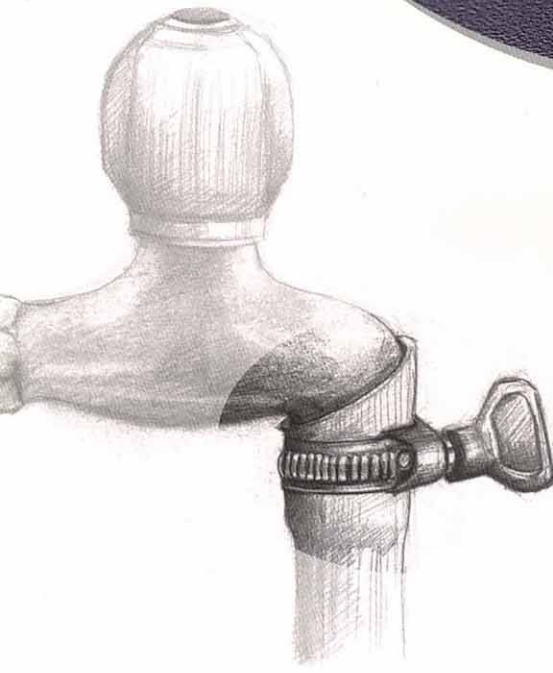


BAND WIDTH (帶寬)	THICKNESS (厚度)	Size (尺寸)	DIAMETERS RANGE (螺絲鉗直徑)		
			English (英制) in. (英吋) Min. (最小) Max. (最大)		Metric (公制) (mm) Min. (最小) Max. (最大)
<b>13MM</b>	<b>0.7MM</b>	20 - 32	3/4"	1-1/4"	20 - 32
		25 - 40	1"	1-5/8"	25 - 40
		32 - 50	1-1/4"	2"	32 - 50
		40 - 60	1-5/8"	2-3/8"	40 - 60
		50 - 70	2"	2-3/4"	50 - 70
		60 - 80	2-3/8"	3-1/8"	60 - 80
		70 - 90	2-3/4"	3-1/2"	70 - 90
		80 - 100	3-1/8"	4"	80 - 100
		90 - 110	3-1/2"	4-3/8"	90 - 110
		100 - 120	4"	4-3/4"	100 - 120
		110 - 130	4-3/8"	5-1/8"	110 - 130
		120 - 140	4-3/4"	5-1/2"	120 - 140
		130 - 150	5-1/8"	5-7/8"	130 - 150
		140 - 160	5-1/2"	6-1/4"	140 - 160
		160 - 180	6-1/4"	7"	160 - 180
		180 - 200	7"	7-7/8"	180 - 200
		200 - 220	7-7/8"	8-3/4"	200 - 220
		220 - 240	8-3/4"	9-1/2"	220 - 240
250 - 270	9-7/8"	10-5/8"	250 - 270		
270 - 290	10-5/8"	11-1/2"	270 - 290		
300 - 320	11-3/4"	12-5/8"	300 - 320		
Materials (材料名稱)			Stainless Steel (不鏽鋼)		Galvanized Steel (鐵鍍鋅)
Band (帶子)			#430 S.S.		Galvanized Steel (鐵鍍鋅)
Screw (螺絲)			Yellow zinc Plated (鐵鍍五彩)		Zinc Plated (鐵鍍鋅)
Housing (殼子)			#430 S.S.		Galvanized Steel (鐵鍍鋅)



# Zebra Type Clamps W/Butterfly Handle

**SY-09T**



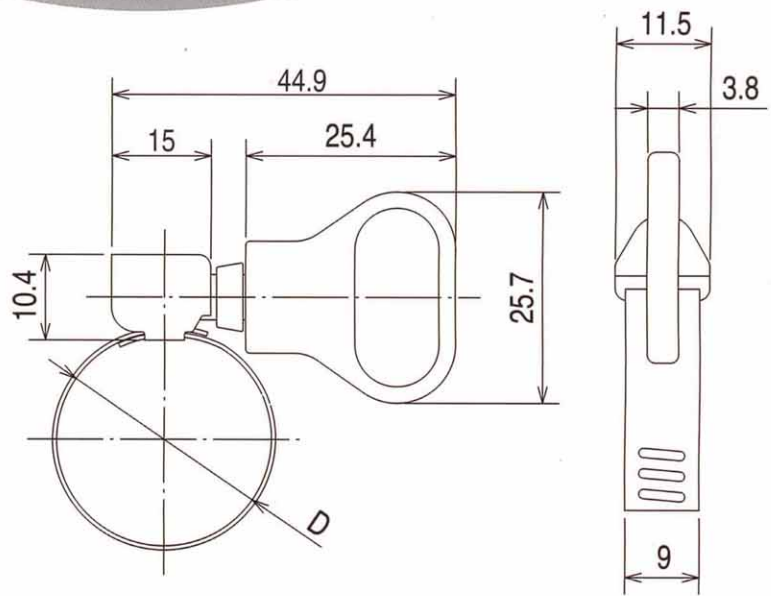
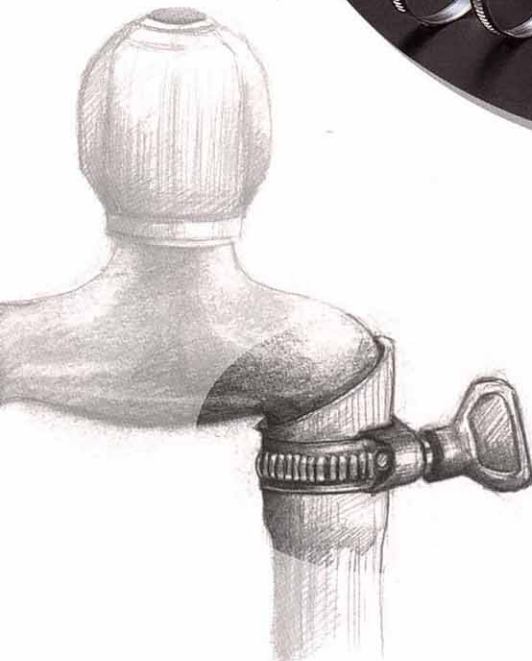
BAND WIDTH (帶寬)	THICKNESS (厚度)	Size (尺寸)	DIAMETERS RANGE (螺絲鉗直徑)			
			English (英制) in. (英吋)		Metric (公制) (mm)	
			Min. (最小)	Max. (最大)	Min. (最小)	Max. (最大)
<b>9MM</b>	<b>0.6MM</b>	8 - 12	5/16"	1/2"	8 - 12	
		10 - 16	3/8"	5/8"	10 - 16	
		12 - 20	1/2"	3/4"	12 - 20	
		16 - 25	5/8"	1"	16 - 25	
		20 - 32	3/4"	1-1/4"	20 - 32	
		25 - 40	1"	1-5/8"	25 - 40	
		30 - 45	1-3/16"	13/4"	30 - 45	
		32 - 50	1-1/4"	2"	32 - 50	
		40 - 60	1-5/8"	2-3/8"	40 - 60	
Materials (材料名稱)			Stainless Steel (不鏽鋼)		Galvanized Steel (鐵鍍鋅)	
Band (帶子)			#430 S.S.		Galvanized Steel (鐵鍍鋅)	
Screw (螺絲)			Yellow zinc Plated (鐵鍍五彩)		Zinc Plated (鐵鍍鋅)	
Housing (殼子)			#430 S.S.		Galvanized Steel (鐵鍍鋅)	
Butterfly Handle (轉片)			Plastic (塑膠)Yellow		Plastic (塑膠)Yellow	

**SY-09T**



**JIMSOAR INTERNATIONAL CORP.,**

**Zebra Type Clamps W/Butterfly Handle**

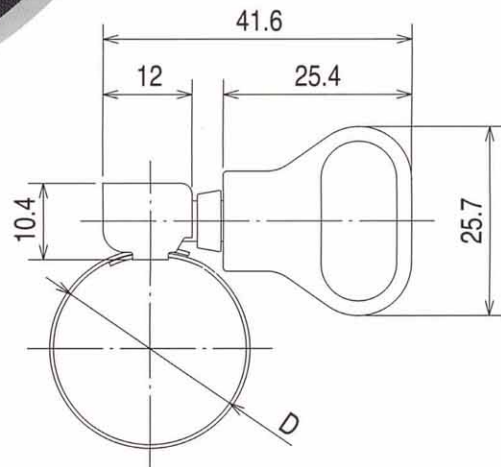
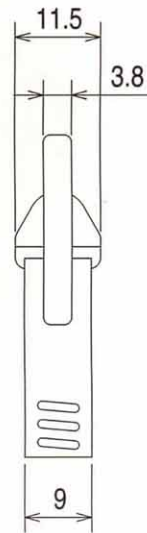


**Packing Details/ 包裝明細**

Size/尺寸	Price/單價		NW/淨重	GW/毛重	PCS個/ Box盒	Box盒/ Carton箱	材數/CUFT
	Stainless S. #430 NTD	Galvanized S. (鍍鋅) NTD					
8 - 12mm			23.70	25.30	200	2,000	0.9
10 - 16mm			24.20	25.80	200	2,000	0.9
12 - 20mm			24.50	26.50	200	2,000	1.65
16 - 25mm			19.50	21.50	150	1,500	1.65
20 - 32mm			14.72	17.52	100	1,000	1.65
25 - 40mm			16.10	18.90	100	1,000	1.65
30 - 45mm			8.60	11.40	50	500	1.65
32 - 50mm			9.16	11.96	50	500	1.65
40 - 60mm			13.36	16.16	80	800	1.65



↖ Slide Card Packing



BAND WIDTH (帶寬)	THICKNESS (厚度)	Size (尺寸)	Clamping Range/mm	FOR Taiwan/4pcs/Slide Card		PACKING				
				Stainless S. #430	Galvanized S. 鍍鋅	Pcs/ Case	Pcs/ CTN	N.W. Kgs	G.W. Kgs	CUFT
9MM	0.6MM	1/2"	8 - 12	NTD	NTD	40	400	23.8	25.4	1.20
		5/8"	10 - 16			40	400	24.5	25.9	1.20
		3/4"	12 - 20			40	400	13.1	14.8	1.20
		1"	16 - 25			40	400	14.2	15.7	1.20

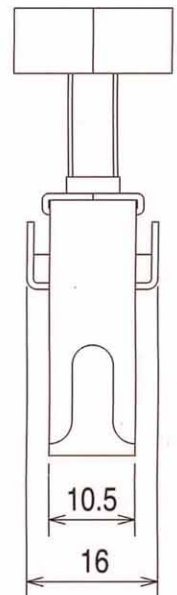
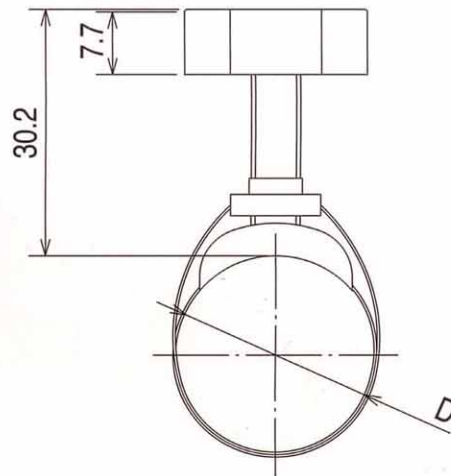
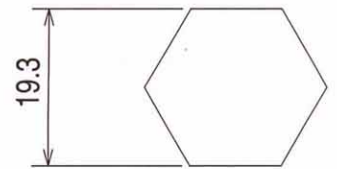
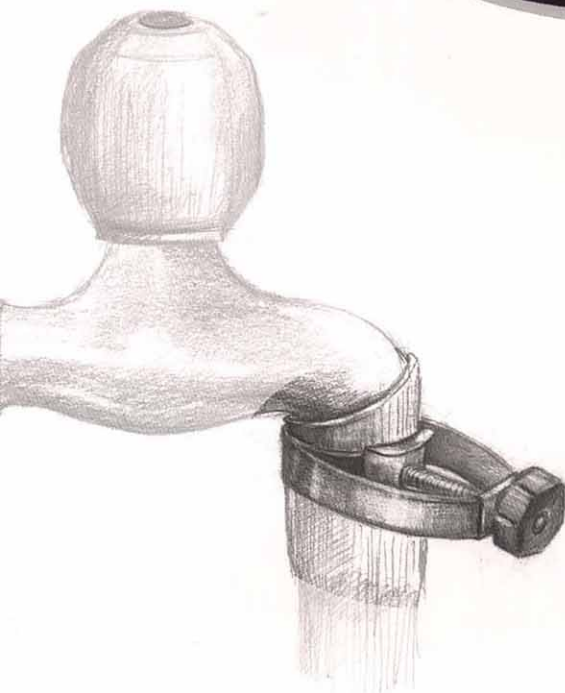
BAND WIDTH (帶寬)	THICKNESS (厚度)	Size (尺寸)	DIAMETERS RANGE (螺絲鉗直徑)			
			English (英制) in. (英吋) Min. (最小) Max. (最大)		Metric (公制) (mm) Min. (最小) Max. (最大)	
9MM	0.6MM	8 - 12	5/16"	1/2"	8 - 12	
		10 - 16	3/8"	5/8"	10 - 16	
		12 - 20	1/2"	3/4"	12 - 20	
		16 - 25	5/8"	1"	16 - 25	
Materials (材料名稱)			Stainless Steel (不鏽鋼)		Galvanized Steel (鐵鍍鋅)	
Band (帶子)			#430 S.S.		Galvanized Steel (鐵鍍鋅)	
Screw (螺絲)			Yellow zinc Plated (鐵鍍五彩)		Zinc Plated (鐵鍍鋅)	
Housing (殼子)			#430 S.S.		Galvanized Steel (鐵鍍鋅)	
Butterfly Handle (轉片)			Plastic (塑膠) Yellow		Plastic (塑膠) Yellow	
Packing List : 4pcs/Slide Card			(包裝方式 : 插卡4PCS入)			

**SY-02**



**JIMSOAR INTERNATIONAL CORP.,**

**Multiple Hose Clamps (萬能管夾)**



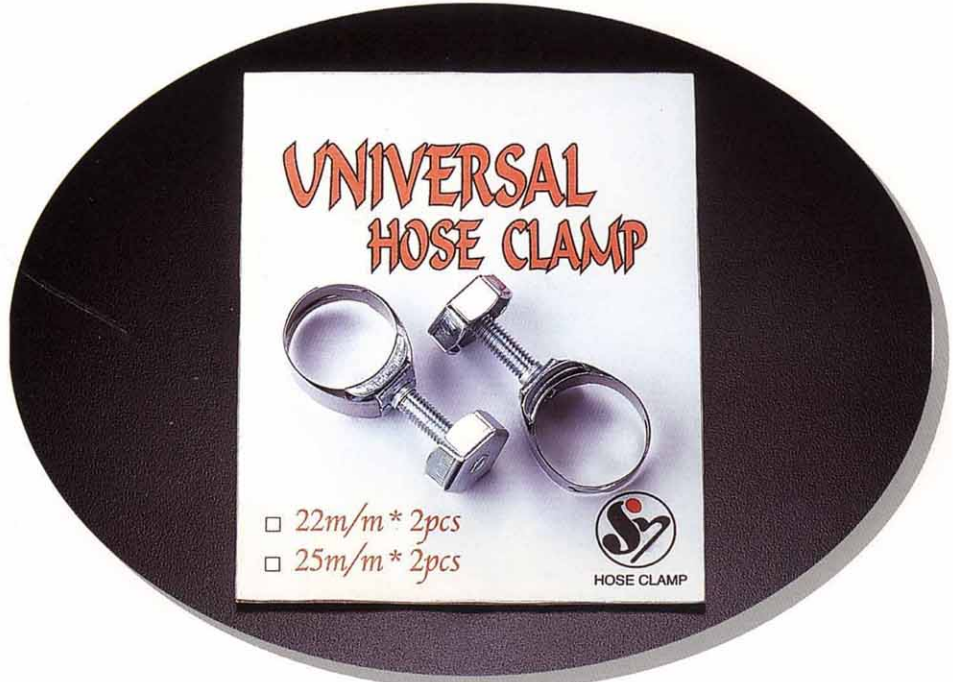
BAND WIDTH (帶寬)	THICKNESS (厚度)	Size (尺寸)	DIAMETERS RANGE (螺絲鉗直徑)			
			English (英制) in. (英吋)		Metric (公制) (mm)	
			Min. (最小)	Max. (最大)	Min. (最小)	Max. (最大)
<b>10.5MM</b>	<b>0.3MM</b>	23	5/8"	7/8"	16	23
		25	3/4"	1"	19	25
		27	7/8"	1-1/16"	23	27
		32	1"	1-1/4"	25	32
Materials (材料名稱)						
Band (帶子)			#410 S.S.			
Screw (螺絲)			Zinc Plated (鐵鍍鋅)			
Nut (螺帽)			Zinc Plated (鐵鍍鋅)			



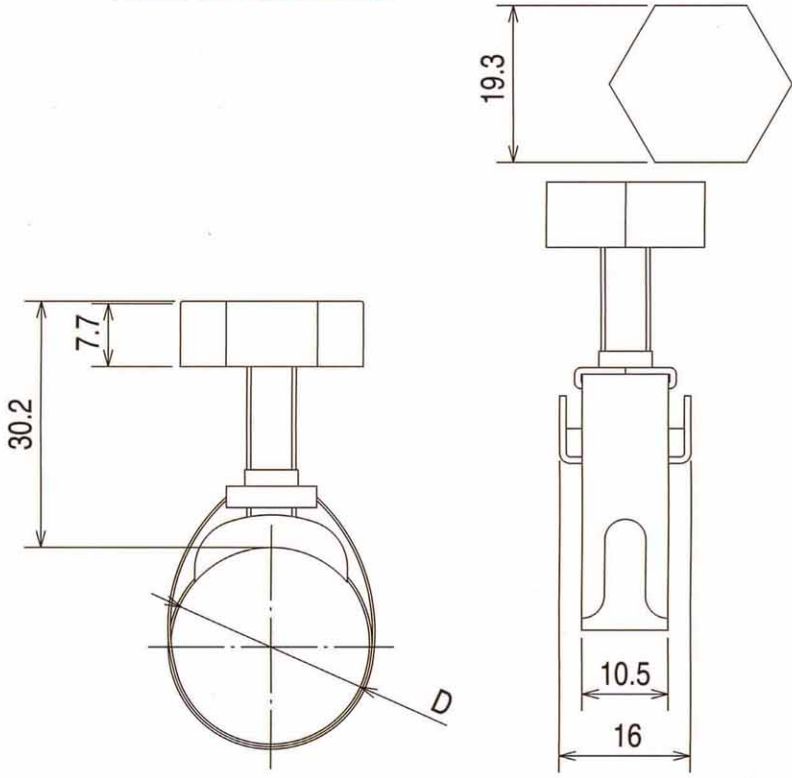
JIMSOAR INTERNATIONAL CORP.,

# 2PCS Multiple Hose Clamps

SY-02K



**Slide Card Packing** ↗



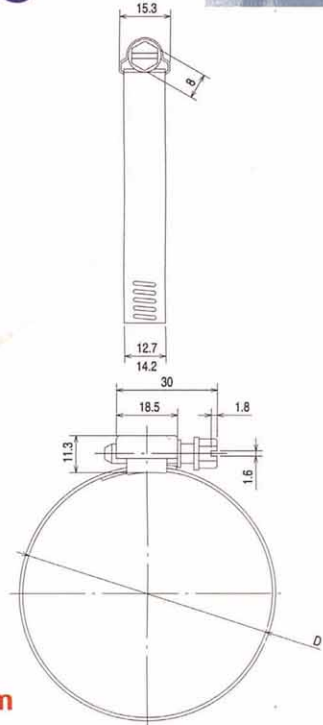
BAND WIDTH (帶寬)	THICKNESS (厚度)	Size (尺寸)	DIAMETERS RANGE (螺絲鉗直徑)	
			English (英制) in. (英吋) Min. (最小) Max. (最大)	Metric (公制) (mm) Min. (最小) Max. (最大)
10.5MM	0.3MM	23	5/8" 7/8"	16 - 23
		25	3/4" 1"	19 - 25
Materials (材料名稱)				
Band (帶子)		#410 S.S.		
Screw (螺絲)		Zinc Plated (鐵鍍鋅)		
Nut (螺帽)		Zinc Plated (鐵鍍鋅)		
Packing List : 2pcs/Slide Card			(包裝方式：插卡2PCS入)	

**SY-01**

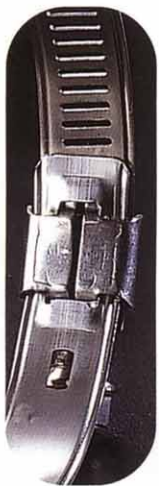


**JIMSOAR INTERNATIONAL CORP.,**

# Interlock Hose Clamps



**BAND WIDTH**  
**12.7mm AND 14.2mm**  
 材質: SS301、SS316



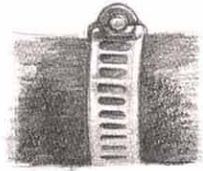
BAND WIDTH (帶寬)	Size (尺寸)	SAE Size (尺寸) No. (號碼)	DIAMETERS RANGE (螺絲鉗直徑)		Metric (公制) (mm) Min. (最小) Max. (最大)
			English (英制) in. (英吋) Min. (最小) Max. (最大)		
12.7MM	1-1/16"	MIN10	1/2"	1-1/16"	13-27
	1-1/4"	MIN12	1/2"	1-1/4"	13-32
	1-1/2"	MIN16	3/4"	1-1/2"	20-38
	1-3/4"	MIN20	3/4"	1-3/4"	20-44
	2"	MIN24	1"	2"	25-50
	2-1/4"	MIN28	1-1/4"	2-1/4"	32-57
	2-1/2"	MIN32	1-1/2"	2-1/2"	38-64
	2-3/4"	MIN36	1-3/4"	2-3/4"	44-70
	3"	MIN40	2"	3"	50-76
	3-1/4"	MIN44	2-1/4"	3-1/4"	57-82
	3-1/2"	MIN48	1-3/16"	3-1/2"	30-90
	3-3/4"	MIN52	1-3/8"	3-3/4"	35-95
	4"	MIN56	1-5/8"	4"	41-100
	4-1/4"	MIN60	1-7/8"	4-1/4"	48-107
	4-1/2"	MIN64	2-1/8"	4-1/2"	54-114
	4-3/4"	MIN68	2-3/8"	4-3/4"	60-120
	5"	MIN72	2-5/8"	5"	67-127
	5-1/2"	MIN80	3-1/8"	5-1/2"	80-140
	6"	MIN88	3-5/8"	6"	92-152
	6-1/2"	MIN96	4-1/8"	6-1/2"	105-165
7"	MIN104	3-1/4"	7"	83-178	
7-1/2"	MIN112	5-1/8"	7-1/2"	130-191	
8"	MIN120	4-1/4"	8"	108-203	
9"		5-1/4"	9"	134-228	
10"		6-1/4"	10"	160-254	
Materials (材料名稱)			Stainless Steel (全不鏽鋼)		Stainless Steel (不鏽鋼)
Band (帶子)			#301 S.S.		#410 S.S.
Screw (螺絲)			#302 S.S.		Chromate Plated (鐵鍍鉻)
Housing (殼子)			#304 S.S.		#430 S.S.



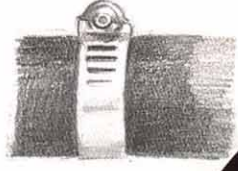


# Liner Clamps (For soft / silicone hose)

**SY-01-N**



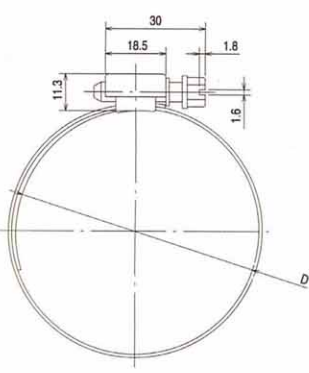
Hose installed with unlined clamp.



Hose installed with lined clamp.



**BAND WIDTH**  
12.7mm AND 14.2mm  
材質: SS301、SS316



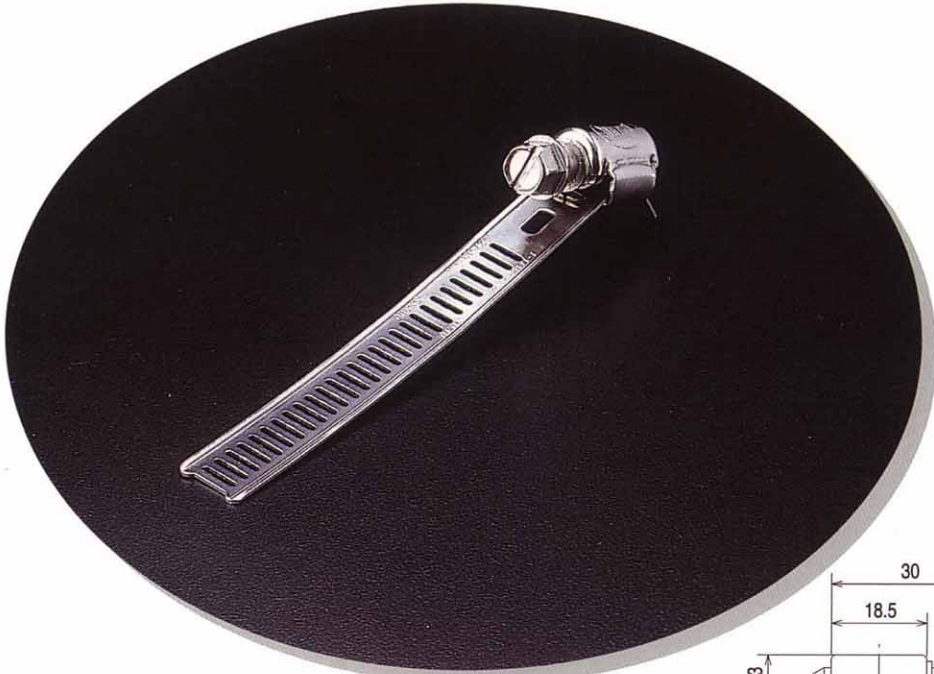
BAND WIDTH (帶寬)	Size (尺寸)	SAE Size (尺寸) No. (號碼)	DIAMETERS RANGE (螺絲鉗直徑)		
			English (英制) in. (英吋) Min. (最小) Max. (最大)	Metric (公制) (mm) Min. (最小) Max. (最大)	
12.7MM	1"	MIN8	3/4"	1"	18-26
	1-1/16"	MIN10	1-1/8"	1-3/16"	21-29
	1-1/4"	MIN12	1-5/16"	1-1/4"	24-32
	1-1/2"	MIN16	1-3/16"	1-1/2"	21-38
	1-3/4"	MIN20	1-1/8"	1-3/4"	28-45
	2"	MIN24	1"	2"	35-51
	2-1/4"	MIN28	1-1/4"	2-1/4"	32-57
	2-1/2"	MIN32	1-1/2"	2-1/2"	38-64
	2-3/4"	MIN36	1-3/4"	2-3/4"	45-70
	3"	MIN40	2"	3"	51-76
	3-1/4"	MIN44	2-1/4"	3-1/4"	58-83
	3-1/2"	MIN48	2-1/2"	3-1/2"	65-90
	3-3/4"	MIN52	2-3/4"	3-3/4"	70-95
	4"	MIN56	3"	4"	77-102
	4-1/4"	MIN60	3-1/4"	4-1/4"	83-108
	4-1/2"	MIN64	3-1/2"	4-1/2"	89-114
	4-3/4"	MIN68	3-3/4"	4-3/4"	95-120
	5"	MIN72	4"	5"	102-127
	5-1/2"	MIN80	4-1/2"	5-1/2"	115-140
	6"	MIN88	5"	6"	127-152
6-1/2"	MIN96	5-1/2"	6-1/2"	140-165	
7"	MIN104	6"	7"	153-178	
7-1/2"	MIN112	6-1/2"	7-1/2"	166-191	
8"	MIN120	7"	8"	178-203	
Materials (材料名稱)			Stainless S. (全不鏽鋼)		Stainless S. (不鏽鋼)
Band (帶子)			#301 S.S.		#410 S.S.
Screw (螺絲)			#302 S.S.		Chromate Plated (鐵鍍鉻)
Housing (殼子)			#304 S.S.		#430 S.S.

**SY-01-1**

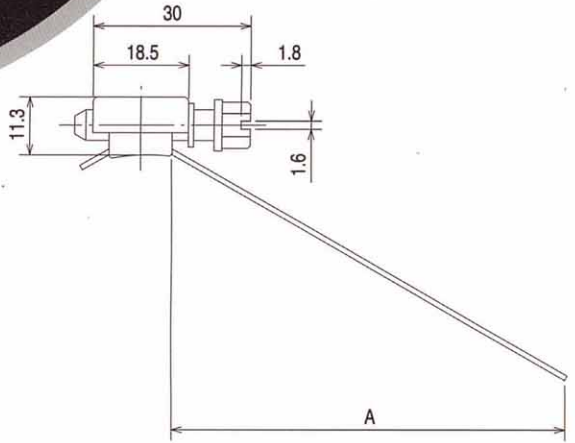
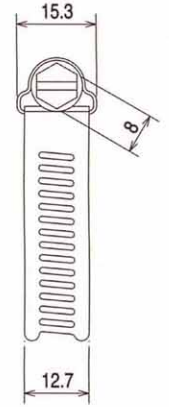


**JIMSOAR INTERNATIONAL CORP.,**

# Flat Cable Clamps



**BAND WIDTH**  
**12.7mm AND 14.2mm**  
 材質: SS301、SS316



14.2

BAND WIDTH (帶寬)	Size (尺寸)	SAE Size (尺寸) No. (號碼)	DIAMETERS RANGE (螺絲鉗直徑)		Metric (公制) (mm) Min. (最小) Max. (最大)
			English (英制) in. (英吋) Min. (最小) Max. (最大)		
12.7MM	3"	MIN40	2"	3"	50-76
	3-1/4"	MIN44	2-1/4"	3-1/4"	57-82
	3-1/2"	MIN48	1-3/16"	3-1/2"	30-90
	3-3/4"	MIN52	1-3/8"	3-3/4"	35-95
	4"	MIN56	1-5/8"	4"	41-100
	4-1/4"	MIN60	1-7/8"	4-1/4"	48-107
	4-1/2"	MIN64	2-1/8"	4-1/2"	54-114
	4-3/4"	MIN68	2-3/8"	4-3/4"	60-120
	5"	MIN72	2-5/8"	5"	67-127
	5-1/2"	MIN80	3-1/8"	5-1/2"	80-140
	6"	MIN88	3-5/8"	6"	92-152
	6-1/2"	MIN96	4-1/8"	6-1/2"	105-165
	7"	MIN104	3-1/4"	7"	83-178
	7-1/2"	MIN112	5-1/8"	7-1/2"	130-191
	8"	MIN120	4-1/4"	8"	108-203
	9"		5-1/4"	9"	134-228
10"		6-1/4"	10"	160-254	
Materials (材料名稱)		Stainless Steel (全不鏽鋼)		Stainless Steel (不鏽鋼)	
Band (帶子)		#301 S.S.		#410 S.S.	
Screw (螺絲)		#302 S.S.		Chromate Plated (鐵鍍鉻)	
Housing (殼子)		#304 S.S.		#430 S.S.	





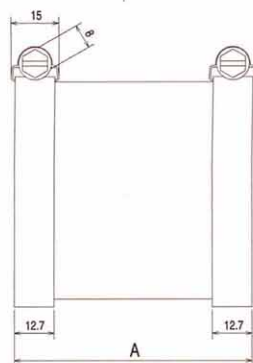
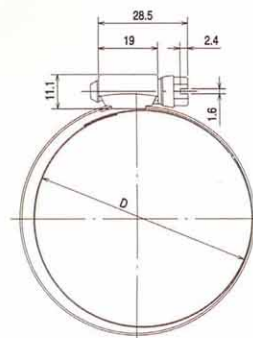
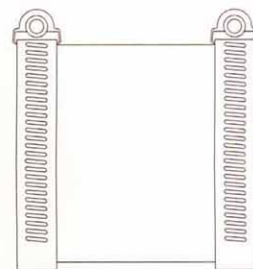
JIMSOAR INTERNATIONAL CORP.,

# Super Heavy-Duty Clamps

## SY-00



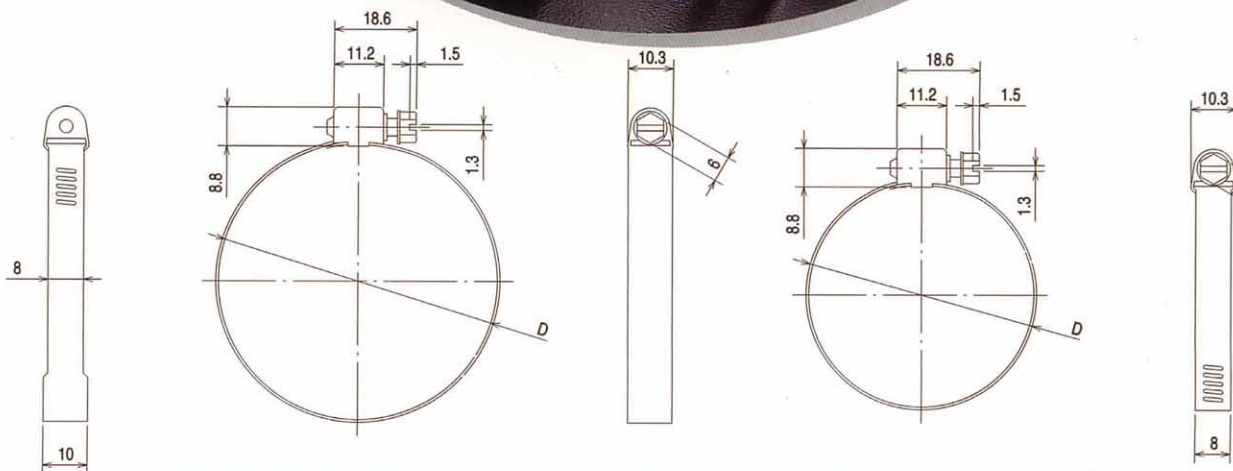
材質: SS301、SS316



A	76mm
A	51mm

BAND WIDTH (帶寬)	Size (尺寸)	Size (尺寸) No. (號碼)	DIAMETERS RANGE (螺絲鉗直徑)			
			English (英制) in. (英吋) Min. (最小) Max. (最大)	Metric (公制) (mm) Min. (最小) Max. (最大)		
12.7MM	3"	MIN40	2"	3"	50-76	
	3-1/4"	MIN44	2-1/4"	3-1/4"	57-82	
	3-1/2"	MIN48	1-3/16"	3-1/2"	30-90	
	3-3/4"	MIN52	1-3/8"	3-3/4"	35-95	
	4"	MIN56	1-5/8"	4"	41-100	
	4-1/4"	MIN60	1-7/8"	4-1/4"	48-107	
	4-1/2"	MIN64	2-1/8"	4-1/2"	54-114	
	4-3/4"	MIN68	2-3/8"	4-3/4"	60-120	
	5"	MIN72	2-5/8"	5"	67-127	
	5-1/2"	MIN80	3-1/8"	5-1/2"	80-140	
	6"	MIN88	3-5/8"	6"	92-152	
	6-1/2"	MIN96	4-1/8"	6-1/2"	105-165	
	7"	MIN104	3-1/4"	7"	83-178	
	7-1/2"	MIN112	5-1/8"	7-1/2"	130-191	
	8"	MIN120	4-1/4"	8"	108-203	
	9"		5-1/4"	9"	134-228	
10"		6-1/4"	10"	160-254		
Materials (材料名稱)			Stainless Steel (全不鏽鋼)		Stainless Steel (不鏽鋼)	
Band (帶子)			#301 S.S.		#410 S.S.	
Screw (螺絲)			#302 S.S.		Chromate Plated (鐵鍍鉻)	
Housing (殼子)			#304 S.S.		#430 S.S.	

# Miniature Hose Clamps

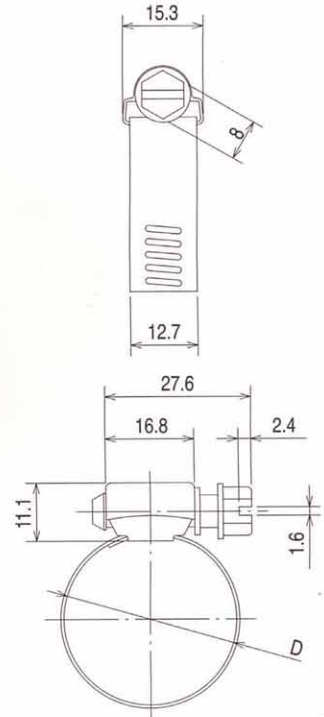


BAND WIDTH (帶寬)	Size (尺寸)	SAE Size (尺寸) No. (號碼)	DIAMETERS RANGE (螺絲鉗直徑)		Metric (公制) (mm) Min. (最小) Max. (最大)
			English (英制) in. (英吋) Min. (最小) Max. (最大)		
8MM	1/2"		1/8"	1/2"	7-13
	5/8"	MIN4	1/8"	5/8"	7-16
	3/4"	MIN6	3/8"	3/4"	10-19
	7/8"	MIN8	3/8"	7/8"	10-23
	1"		1/2"	1"	13-26
	1-1/4"	MIN12	5/8"	1-1/4"	16-32
	1-1/2"	MIN16	3/4"	1-1/2"	19-38
	1-3/4"	MIN20	3/4"	1-3/4"	19-44
8MM   10MM	2"	MIN24	1"	2"	25-51
	2-1/2"	MIN32	1-1/2"	2-1/2"	40-64
	3"	MIN40	2"	3"	52-76
	3-1/2"	MIN48	2-1/2"	3-1/2"	65-89
	4"	MIN56	3"	4"	78-102
Materials (材料名稱)			Stainless Steel (不鏽鋼)		Galvanized Steel (鐵鍍鋅)
Band (帶子)			#410 S.S.		Galvanized Steel (鐵鍍鋅)
Screw (螺絲)			Nickel Plated (鐵鍍鎳)		Zinc Plated (鐵鍍鋅)
Housing (殼子)			Nickel Plated (鐵鍍鎳)		Galvanized Steel (鐵鍍鋅)



# Miniature Hose Clamps

**SY-06**



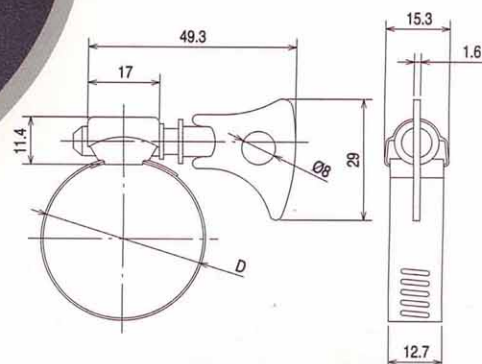
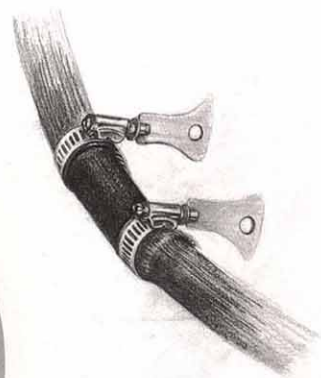
BAND WIDTH (帶寬)	Size (尺寸)	SAE Size (尺寸) No. (號碼)	DIAMETERS RANGE (螺絲鉗直徑)			
			English (英制) in. (英吋)		Metric (公制) (mm)	
			Min. (最小)	Max. (最大)	Min. (最小)	Max. (最大)
12.7MM	1-1/16"	MIN10	1/2"	1-1/16"	13-27	
	1-1/4"	MIN12	5/8"	1-1/4"	16-32	
	1-1/2"	MIN16	3/4"	1-1/2"	19-38	
	1-3/4"	MIN20	3/4"	1-3/4"	19-44	
	2"	MIN24	1"	2"	25-51	
	2-1/4"	MIN28	1-1/4"	2-1/4"	33-57	
	2-1/2"	MIN32	1-1/2"	2-1/2"	40-64	
	2-3/4"	MIN36	1-3/4"	2-3/4"	46-70	
	3"	MIN40	2"	3"	52-76	
	3-1/4"	MIN44	2-5/16"	3-1/4"	59-83	
	3-1/2"	MIN48	2-1/2"	3-1/2"	65-89	
	3-3/4"	MIN52	1-3/8"	3-3/4"	35-95	
	4"	MIN56	1-5/8"	4"	41-100	
	4-1/4"	MIN60	1-7/8"	4-1/4"	48-107	
	4-1/2"	MIN64	2-1/8"	4-1/2"	54-114	
	4-3/4"	MIN68	2-3/8"	4-3/4"	60-120	
	5"	MIN72	2-5/8"	5"	67-127	
	5-1/2"	MIN80	3-1/8"	5-1/2"	80-140	
	6"	MIN88	3-5/8"	6"	92-152	
	6-1/2"	MIN96	4-1/8"	6-1/2"	105-165	
7"	MIN104	3-1/4"	7"	83-178		
7-1/2"	MIN112	5-1/8"	7-1/2"	130-191		
8"	MIN120	4-1/4"	8"	108-203		
9"		5-1/4"	9"	134-228		
10"		6-1/4"	10"	160-254		
Materials (材料名稱)			Stainless S. (全不鏽鋼)		Galvanized S. (鐵鍍鋅)	
Band (帶子)			#410 S.S.		Galvanized (鐵鍍鋅)	
Screw (螺絲)			Nickel Plated (鐵鍍鎳)		Galvanized (鐵鍍鋅)	
Housing (殼子)			Nickel Plated (鐵鍍鎳)		Galvanized (鐵鍍鋅)	

**SY-06T**



**JIMSOAR INTERNATIONAL CORP.,**

**Interlock Hose Clamps W/Butterfly Handle**



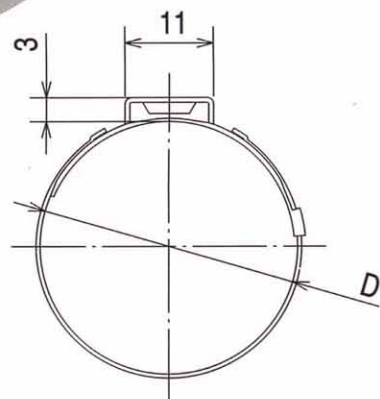
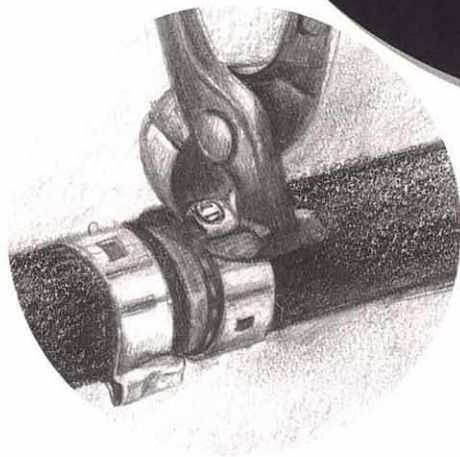
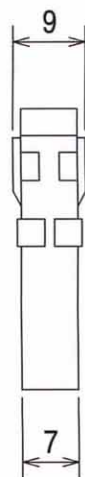
BAND WIDTH (帶寬)	Size (尺寸)	SAE Size (尺寸) No. (號碼)	DIAMETERS RANGE (螺絲鉗直徑)		
			English (英制) in. (英吋) Min. (最小) Max. (最大)	Metric (公制) (mm) Min. (最小) Max. (最大)	
8MM	1/2"		1/8"	1/2"	7-13
	5/8"		1/8"	5/8"	7-16
	3/4"	MIN4	3/8"	3/4"	10-20
	7/8"	MIN6	3/8"	7/8"	10-22
	1"	MIN8	1/2"	1"	13-25
	1-1/4"	MIN12	1/2"	1-1/4"	13-32
	1-1/2"	MIN16	3/4"	1-1/2"	20-38
	1-3/4"	MIN20	3/4"	1-3/4"	20-44
12.7MM	2"	MIN24	1"	2"	25-50
	1-1/16"	MIN10	1/2"	1-1/16"	13-27
	1-1/4"	MIN12	1/2"	1-1/4"	13-32
	1-1/2"	MIN16	3/4"	1-1/2"	20-38
	1-3/4"	MIN20	3/4"	1-3/4"	20-44
	2-1/4"	MIN28	1-1/4"	2-1/4"	32-57
	2-1/2"	MIN32	1-1/2"	2-1/2"	38-64
	2-3/4"	MIN36	1-3/4"	2-3/4"	44-70
	3"	MIN40	2"	3"	50-76
	3-1/4"	MIN44	2-1/4"	3-1/4"	57-82
	3-1/2"	MIN48	1-3/16"	3-1/2"	65-89
Materials (材料名稱)			Stainless Steel (不鏽鋼)	Galvanized Steel (鐵鍍鋅)	
Band (帶子)			#410 S.S.	Galvanized Steel (鐵鍍鋅)	
Screw (螺絲)			Nickel Plated (鐵鍍鎳)	Zinc Plated (鐵鍍鋅)	
Housing (殼子)			Nickel Plated (鐵鍍鎳)	Galvanized Steel (鐵鍍鋅)	
Butterfly Handle (轉片)			Plastic (塑膠) Yellow	Plastic (塑膠) Yellow	



JIMSOAR INTERNATIONAL CORP.,

# Adjustable Singed-Ear Clamps

**SY-08**



BAND WIDTH (帶寬)	Close-open MM (尺寸)	DIAMETERS RANGE (螺絲鉗直徑)	
		Min. (最小)	Max. (最大)
7MM	22.50 - 25.60	22.50	25.60
	25.50 - 28.60	25.50	28.60
	28.50 - 31.60	28.50	31.60
	31.50 - 34.60	31.50	34.60
	34.50 - 37.60	34.50	37.60
	35.50 - 39.60	35.50	39.60
	39.40 - 42.60	39.40	42.60
	42.40 - 45.50	42.40	45.50
	45.50 - 48.50	45.50	48.50
Materials (材料名稱)		Solid Stainless Steel#304 (不鏽鋼)	
Spring Slice (單片)		#304 S.S.	
Band (帶子)		#304 S.S.	
Ear (耳朵)		#304 S.S.	

Note: The above size is the available specification of bulk production. The product also can be custom - made. The size could be within 25.60mm to 99.50mm.

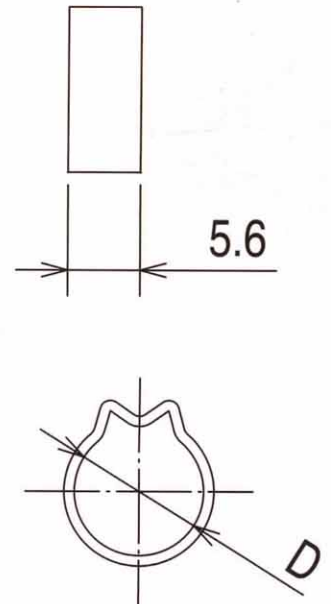
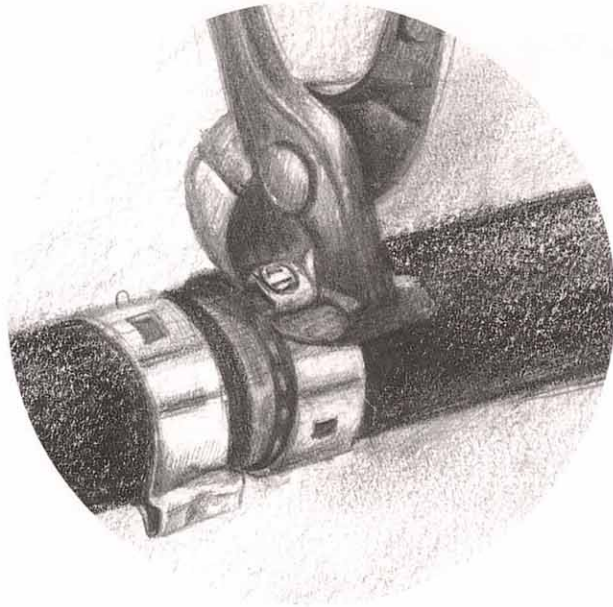
註：(1) 以上尺寸22.50m/m~45.50m/m為現有量產之規格，另可依客戶需求尺寸製造，尺寸由25.6m/m~99.50m/m區間。

BAND WIDTH (帶寬)	Close-open MM (尺寸)	DIAMETERS RANGE (螺絲鉗直徑)	
		Min. (最小)	Max. (最大)
9MM	48.40 - 51.50	48.40	51.50
	51.40 - 54.50	51.40	54.50
	54.40 - 57.50	54.40	57.50
	57.40 - 60.50	57.40	60.50
	60.20 - 63.50	60.20	63.50
	63.40 - 66.50	63.40	66.50
	66.40 - 69.50	66.40	69.50
	69.40 - 72.50	69.40	72.50
	72.40 - 75.50	72.40	75.50
	75.40 - 78.50	75.40	78.50
Materials (材料名稱)		Solid Stainless Steel#304 (不鏽鋼)	
Spring Slice (單片)		#304 S.S.	
Band (帶子)		#304 S.S.	
Ear (耳朵)		#304 S.S.	

Note: The above size is the available specification of bulk production. The product also can be custom - made. The size could be within 25.60mm to 99.50mm.

註：(1) 以上尺寸48.40m/m~78.50m/m為現有量產之規格，另可依客戶需求尺寸製造，尺寸由32.5m/m~99.50m/m區間。

# Steel tube Clamps

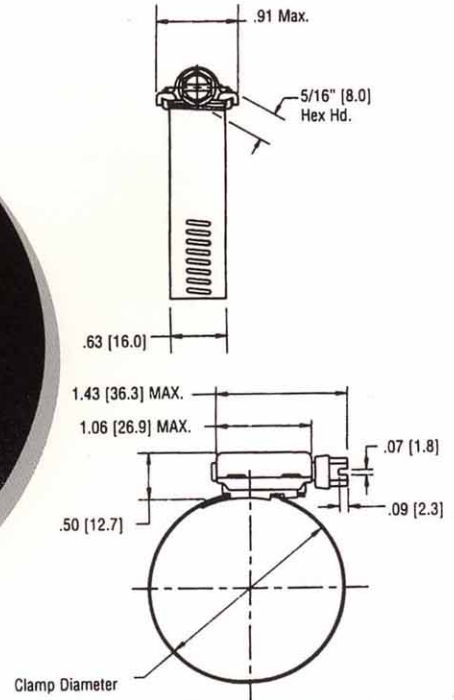


BAND WIDTH (帶寬)	Close-open MM (尺寸)	DIAMETERS RANGE (螺絲鉗直徑)	
		Metric (公制) (mm) Min. (最小) Max. (最大)	
<b>5.6MM</b>	7.5 - 10.5	7.5 - 10.5	
	10.5 - 13.5	10.5 - 13.5	
	13.5 - 16.5	13.5 - 16.5	
	16.5 - 19.5	16.5 - 19.5	
	19.5 - 22.5	19.5 - 22.5	
	22.5 - 25.5	22.5 - 25.5	
Materials (材料名稱)		Galvanized Steel(鐵鍍鋅)	





# Wide-Band Clamps



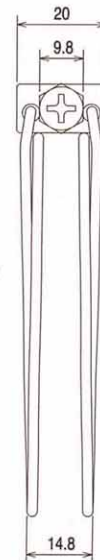
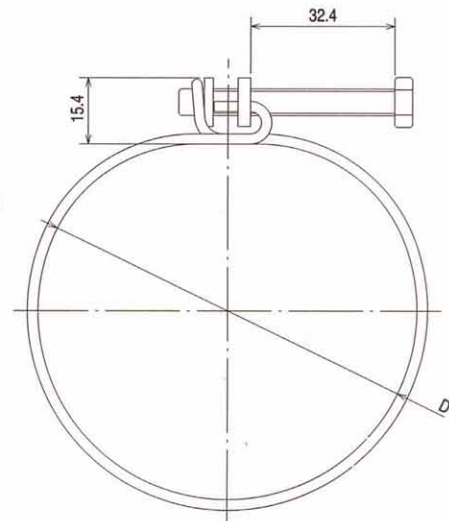
BAND WIDTH (帶寬)	Size (尺寸)	SAE Size (尺寸) No. (號碼)	DIAMETERS RANGE (螺絲鉗直徑)		
			English (英制) in. (英吋) Min. (最小) Max. (最大)	Metric (公制) (mm) Min. (最小) Max. (最大)	
12.7MM	1-1/16"	MIN10	1/2"	1-1/16"	13-27
	1-1/4"	MIN12	1/2"	1-1/4"	13-32
	1-1/2"	MIN16	3/4"	1-1/2"	20-38
	1-3/4"	MIN20	3/4"	1-3/4"	20-44
	2"	MIN24	1"	2"	25-50
	2-1/4"	MIN28	1-1/4"	2-1/4"	32-57
	2-1/2"	MIN32	1-1/2"	2-1/2"	38-64
	2-3/4"	MIN36	1-3/4"	2-3/4"	44-70
	3"	MIN40	2"	3"	50-76
	3-1/4"	MIN44	2-1/4"	3-1/4"	57-82
	3-1/2"	MIN48	1-3/16"	3-1/2"	30-90
	3-3/4"	MIN52	1-3/8"	3-3/4"	35-95
	4"	MIN56	1-5/8"	4"	41-100
	4-1/4"	MIN60	1-7/8"	4-1/4"	48-107
	4-1/2"	MIN64	2-1/8"	4-1/2"	54-114
	4-3/4"	MIN68	2-3/8"	4-3/4"	60-120
	5"	MIN72	2-5/8"	5"	67-127
	5-1/2"	MIN80	3-1/8"	5-1/2"	80-140
	6"	MIN88	3-5/8"	6"	92-152
	6-1/2"	MIN96	4-1/8"	6-1/2"	105-165
7"	MIN104	3-1/4"	7"	83-178	
7-1/2"	MIN112	5-1/8"	7-1/2"	130-191	
8"	MIN120	4-1/4"	8"	108-203	
9"		5-1/4"	9"	134-228	
10"		6-1/4"	10"	160-254	
Materials (材料名稱)			Stainless Steel (全不鏽鋼)		Stainless Steel (全不鏽鋼)
Band (帶子)			#410 S.S.		#301 S.S.
Screw (螺絲)			Nick Plated (鐵鍍鎳)		#302 S.S.
Housing (殼子)			Nick Plated (鐵鍍鎳)		#304 S.S.

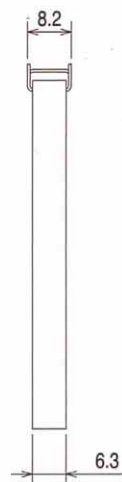
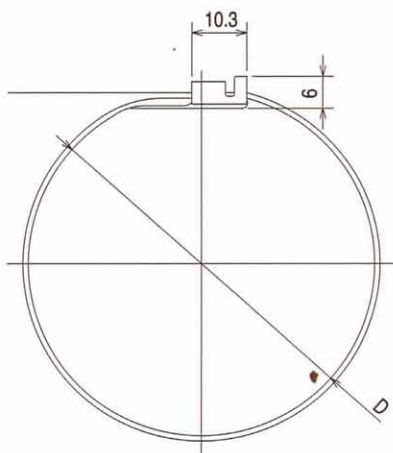

**SY-122**

# Wire Type Clamps



Diameter of Wire (線徑)	SAE Size (尺寸) No. (號碼)	DIAMETERS RANGE (螺絲鉗直徑)	
		Metric (公制) (mm)	
		Min. (最小)	Max. (最大)
	10-13	10-13	
	14-16	14-16	
	17-19	17-19	
	20-22	20-22	
	23-25	23-25	
	26-29	26-29	
	30-32	30-32	
	35-38	35-38	
	40-42	40-42	
	45-48	45-48	
	51-54	51-54	
	57-60	57-60	
	64-67	64-67	
	70-73	70-73	
	76-79	76-79	
	83-85	83-85	
	89-92	89-92	
	95-98	95-98	
	102-105	102-105	
	108-111	108-111	
	114-118	114-118	
	121-124	121-124	
	127-130	127-130	
	133-137	133-137	
	140-143	140-143	
	146-149	146-149	
	152-156	152-156	
	159-162	152-156	
	165-168	165-168	
	172-175	172-175	
	178	178	





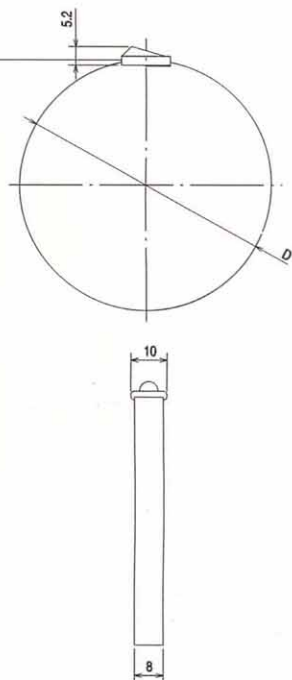
mm (長度)	INCH (英吋)	BAND (帶寬)	DIAMETERS RANGE (螺絲鉗直徑)	
			English (英制) in. (英吋)	Min. (最小) Max. (最大)
250	10"	6.3		10"
280	11"	6.3		11"
300	11-3/4"	6.3		11-3/4"
320	13"	6.3		13"
360	14"	6.3		14"
400	16"	6.3		16"
480	19"	6.3		19"
560	22"	6.3		22"
650	25-1/2"	6.3		25-1/2"
680	27"	6.3		27"
740	29"	6.3		29"
800	31"	6.3		31"
Materials (材料名稱)		Stainless Steel (全不鏽鋼)	Stainless Steel. (不鏽鋼)	
Band (帶子)		#304 S.S.	#430 S.S.	

S4

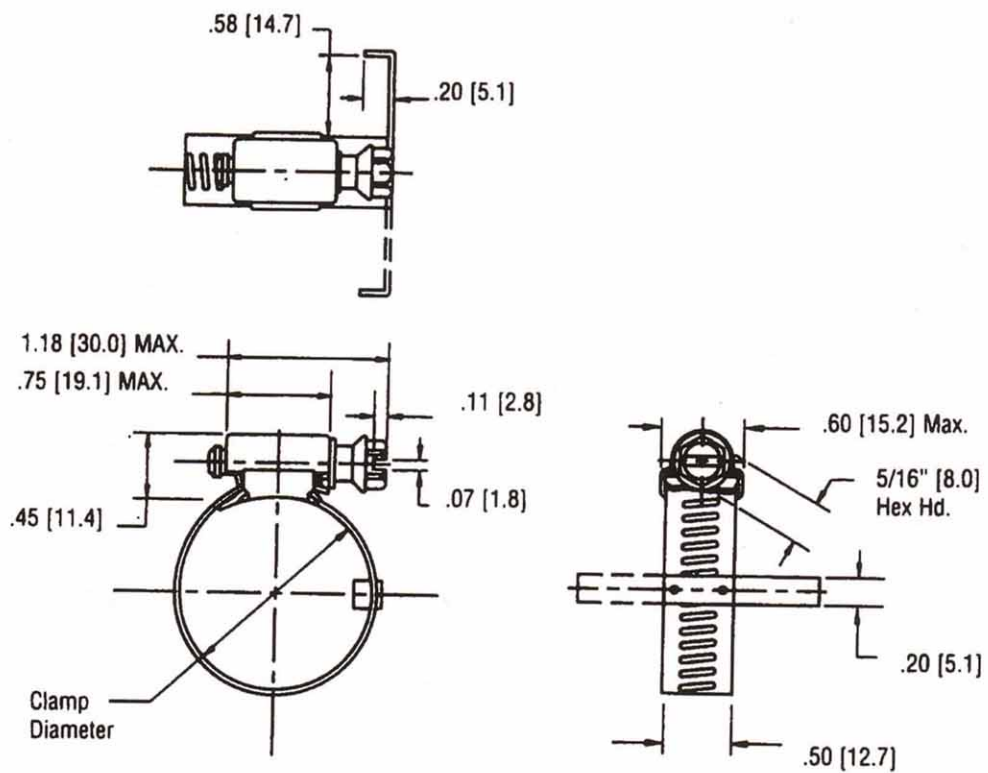


JIMSOAR INTERNATIONAL CORP.,

# Balling type hose Clamps



PART NO#	MAX Bundle Dia mm	Approx Length mm	Width And Thickness mm
450127	25 (1")	127 (5.0")	4.6*0.25
450201	50 (2")	201 (7.9")	4.6*0.25
450266	69 (2.7")	266 (10.5")	4.6*0.25
450362	102 (4")	362 (14.2")	4.6*0.25
450521	152 (6")	521 (20.4")	4.6*0.25
450679	203 (8")	679 (26.8")	4.6*0.25
450838	254 (10")	838 (33.0")	4.6*0.25
451067	305 (12")	1067 (42.0")	4.6*0.25
451194	356 (14")	1194 (47.0")	4.6*0.25
451200			4.6*0.25
451400			4.6*0.25
451500			4.6*0.25
800130			7.9*0.25
800201	50 (2")	201 (7.9")	7.9*0.25
800266	69 (2.7")	266 (10.5")	7.9*0.25
800362	102 (4")	362 (14.2")	7.9*0.25
800521	152 (6")	521 (20.4")	7.9*0.25
800679	203 (8")	679 (26.8")	7.9*0.25
800838	254 (10")	838 (33.0")	7.9*0.25
801067	305 (12")	1067 (42.0")	7.9*0.25
801194	356 (14")	1194 (47.0")	7.9*0.25
801200			7.9*0.25
801400			7.9*0.25
801500			7.9*0.25
Materials (材料名稱)	Stainless Steel (全不鏽鋼)	Stainless Steel. (不鏽鋼)	



CLAMP DIAMETERS			
English(in.)		Mrytov(mm)	
Min.	Max.	Min.	Max.
5/8	1	16	25
3/4	1 1/4	19	32



**DF-1001**  
 美式迷你喉箍 带宽:8mm  
 American mini fastener Bandwidth:8mm



**DF-1002**  
 美式喉箍 带宽:12.7mm  
 American fastener Bandwidth:12.7mm



**DF-1002**  
 美式喉箍 带宽:14.2mm  
 American fastener Bandwidth:14.2mm



**DF-1003**  
 美式盖形喉箍 带宽:14.2mm  
 American housing fastener Bandwidth:14.2mm

编号	规格	使用范围	带宽/mm	包装尺寸/cm	箱装/Pcs	重量/Kgs	
00#	3/8"	6-10mm	8	40x26x12	2000	12	
0#	1/2"	6-13mm		40x26x14	2000	12.5	
#4	5/8"	6-16mm		40x26x14	2000	13	
#6	3/4"	11-20mm		40x26x16	2000	13.5	
#8	7/8"	13-23mm		40x26x18	2000	14	
	1"	16-25mm		40x26x18	2000	14.5	
#10	1-1/16"	14-27mm		40x26x20	2000	15	
#12	1-1/4"	18-32mm		40x26x24	2000	16	
#6	3/4"	11-20mm		12.7	50x30x16	1000	17
#8	7/8"	13-23mm			50x30x16	1000	18
#10	1-1/16"	14-27mm			50x30x18	1000	19
#12	1-1/4"	18-32mm			50x30x21	1000	20
#16	1-1/2"	21-38mm	50x30x24		1000	21	
#20	1-3/4"	21-44mm	50x30x17		500	11	
#24	2"	27-51mm	50x30x21		500	11.5	
#28	2-1/4"	33-57mm	50x30x24		500	12	
#32	2-1/2"	40-63mm	50x30x27		500	12.5	
#36	2-3/4"	46-70mm	50x30x31		500	13	
#40	3"	52-76mm	50x30x34	500	14		
#44	3-1/4"	59-82mm	50x30x37	500	14.5		
#48	3-1/2"	65-89mm	50x30x41	500	15		
#52	3-3/4"	72-95mm	50x30x44	500	15.5		
#56	4"	78-101mm	50x30x47	500	16		
#60	4-1/4"	84-108mm	50x30x50	500	16.5		
#64	4-1/2"	91-114mm	50x30x26	250	8.7		
#68	4-3/4"	95-120mm	50x30x30	250	9.1		
#72	5"	105-127mm	50x30x34	250	9.5		
	5-1/4"	110-134mm					
#80	5-1/2"	118-140mm	50x30x40	250	10.3		
	5-3/4"	125-146mm					
#88	6"	130-152mm	50x30x46	250	11.1		
#92		133-159mm					
#96	6-1/2"	143-165mm	50x30x50	250	11.8		
#100		146-171mm					
#104	7"	155-178mm	50x40x42	250	12.6		



**DF-1004**  
 快装喉箍  
 Quick install fastener



**DF-1005**  
 德式喉箍 带宽:9mm  
 Germany fastener Bandwidth:9mm

使用范围	带宽/mm	包装尺寸/cm	箱装/Pcs	重量/Kgs
8-12mm	8	40x27x10	1000	10
10-16mm		40x27x13	1000	10.5
12-22mm		40x27x14	1000	11
16-27mm		40x27x17	1000	11.7
23-35mm		40x27x21	1000	12.6
25-40mm		40x27x25	1000	13.7
30-45mm		40x27x29	1000	14.4
32-50mm		40x27x21	500	7.6
40-60mm		40x27x26	500	8.3
50-70mm		40x27x31	500	9
60-80mm		40x27x36	500	9.8
70-90mm		55x26x31	500	10.5
80-100mm		55x26x34	500	10.8
90-110mm		55x26x37	500	11.5
100-120mm		55x26x20	250	6.3
110-130mm		50x26x22	250	6.6
120-140mm	50x26x24	250	7	
130-150mm	50x26x26	250	7.5	
140-160mm	50x26x28	250	8	



**DF-1006**  
 德式中间型喉箍 带宽:9mm  
 Germany middle type fastener Bandwidth:9mm



**DF-1006**  
 德式中间型喉箍 带宽:10mm  
 Germany middle type fastener Bandwidth:10mm



**DF-1006**  
 德式中间型喉箍 带宽:12mm  
 Germany middle type fastener Bandwidth:12mm



**3M-8PC**  
 带宽:8mm  
 Bandwidth:8mm

使用范围	包装尺寸/cm	箱装/Pcs	重量/Kgs
8mm	59x27.5x18	100	16.5
12.7mm	60x30x30	100	24



**DF-1007**  
 带宽:12.7mm  
 Bandwidth:12.7mm


**DF-1008**

 美式"V"形喉箍  
 American 'V' type fastener

编号	规格	包装尺寸/cm	箱装/Pcs	重量/Kgs
32#	2-1/2"	50x33x21	300	21
48#	3-1/2"	50x45x19	200	20.5
72#	5"	63x39x27	150	21


**DF-1009**

T-BOLT CLAMPS

T-BOLT CLAMPS				
TB-162	41-46mm	40x22x30	250	14.5
TB-181	44-49mm	40x22x33	250	14.7
TB-193	47-52mm	40x22x35	250	15
TB-218	56-62mm	40x22x40	250	16.3
TB-231	59-66mm	40x22x40	250	17
TB-250	64-71mm	45x22x40	250	17
TB-287	73-81mm	50x22x40	250	17.5
TB-331	83-90mm	45x22x40	200	14.2
TB-343	89-97mm	50x22x40	200	15.6
TB-425	108-115mm	50x22x40	200	16
TB-456	114-121mm	55x20x40	100	8


**DF-2001**

箱扣式喉箍 Buckle type fastener


**DF-1010**

穿钉式喉箍 Nail passed type fastener


**DF-2002**

双钢丝喉箍 Double wires fastener




**DF-2003**
**消音尾气管卡箍**

Sound proof exhaust pipe fastener

规格	包装尺寸/cm	箱装/Pcs	重量/Kgs
28mm	35x21x14	200	16.5
32mm	35x21x14	200	17
36mm	35x21x14	200	17.5
38mm	41x21x18	200	18
40mm	41x21x18	200	19
42mm	41x21x18	200	20
45mm	41x21x18	200	21
48mm	41x27x18	200	22.5
52mm	41x27x18	200	24
54mm	41x27x18	200	25
58mm	41x31x18	200	26
60mm	41x31x18	200	27
62mm	41x31x18	200	27.5
64mm	41x31x18	200	28
68mm	41x35x18	200	29
70mm	41x35x18	200	30


**DF-2004**
**带桥双环管箍**

Double rings pipe fastener

规格	包装尺寸/cm	数量(只)	毛净重/kgs
1/4"	30X24X26	100	11
3/8"	30X24X32	100	12
1/2"	40X24X26	100	13
3/4"	40X26X36	100	14
1"	40X26X40	100	15
1-1/4"	50X30X30	100	16
1-1/2"	50X30X35	100	17
2"	50X30X40	100	18


**DF-2005**
**胶条喉箍** Rubber stripe fastener

**DF-2006**
**鱼眼连胀** Fish-eye like co-expansion



**DF-2007**  
污管束总成 Dredge pipe assembly

规格	包装尺寸/cm	箱装/Pcs	重量/Kgs
1.1/2"	30x25x29	100	11
2"	36x28x29	100	13
3"	49x39x29	100	17
4"	60x48x29	100	21
5"	60x60x22	48	17.5
6"	53x53x39	45	19.5
8"	68x46x39	30	17
10"	56x56x45	24	15.5



**DF-2008**  
梨形管夹 Pear type pipe clamp

规格	包装尺寸/cm	箱装/Pcs	重量/Kgs
3/4"	40x13x8	100	
1"	40x14x8	100	
1-1/4"	40x16x9	100	
1-1/2"	40x19x10	100	
2"	40x22x12	100	
2-1/2"	55x25x15	100	
3"	55x16x18	50	
3-1/2"	55x18x20	50	
4"	55x20x12	25	
5"	55x22x15	25	
6"	55x25x17	25	



**DF-2009**  
钢钉管夹 Steel nail pipe clamp

规格	包装尺寸/cm	箱装/Pcs	重量/Kgs
40	51x27x15	200	18
50	51x31x17	200	20
75	51x36x21	200	24
110	51x26x29	100	16.5



**DF-2010**  
尼龙管夹 Nylon pipe clamp

规格	包装尺寸/cm	数量(只)	毛净重/Kgs
12mm	40x25x24	1000	6
15mm	40x25x28	1000	7
18mm	40x30x32	1000	9
20mm	40x30x38	1000	10
22mm	40x35x40	1000	11
28mm	40x35x30	500	7
32mm	40x35x38	500	8
35mm	40x35x45	500	9


**DF-3001**
**欧式管束(空心)**

European style pipe bunch (hollow)


**DF-3001**
**欧式管束(实心)**

European-style pipe bunch (solid)


**DF-3001**
**欧式管束(双头)**

European style pipe bunch (double terminals)


**DF-3002**
**老虎夹**   Vise

规格	包装尺寸/cm	箱装/Pcs	重量/Kgs
17-19	50x23x14	500	15
20-22	50x23x16	500	16
23-25	50x23x20	500	17
26-28	50x23x23	500	18
29-31	50x23x28	500	9.5
32-35	55x26x23	500	10
36-39	55x26x26	500	10.5
40-43	55x26x36	500	11
44-47	55x26x20	250	11.5
48-51	55x26x22	250	12
52-55	55x26x24	250	12.5
56-59	55x26x28	250	13
60-63	55x26x34	250	13.5
64-67	55x26x40	250	14
68-73	55x26x39	250	14.5
74-79	55x26x43	250	15
80-85	55x26x48	250	15.5
86-91	55x26x24	100	8
92-97	55x26x26	100	9
98-103	55x26x28	100	10
104-112	55x26x31	100	11
113-121	55x26x18	50	6
122-130	55x26x20	50	7
131-139	55x26x24	50	8
140-148	55x26x28	50	9
149-161	55x26x34	50	10
162-174	55x26x40	50	11
175-187			
188-200			
201-213			
214-226			
227-239			
240-252			

1-1/2"	36x18x20	100	11
2"	37x18x20	100	13
2-1/4"	38x19x20	100	14
2-1/2"	52x32x17	100	25
3"	49x35x17	70	20
3-1/2"	50x36x20	70	21
4"	58x32x16	40	24
5"	46x36x22	30	21
6"	41x37x21	20	20
8"	40x28x27	10	12
10"	45x33x35	10	16
12"	52x40x37	10	21


**DF-3003**

新形管箍 New type pipe fastener

规格	包装尺寸/cm	箱装/Pcs	重量/Kgs
60	60x32x31	1000	
65	45x38x28	500	
70	48x38x29	500	
75	51x38x31	500	
80	53x38x33	500	
85	56x38x36	500	
95	60x38x39	500	


**DF-3004**

暖气管支架 Heating pipe support

规格	外箱尺寸/cm	箱装/Pcs	重量/Kgs
100x100	55x20x13	50	12


**DF-3005**

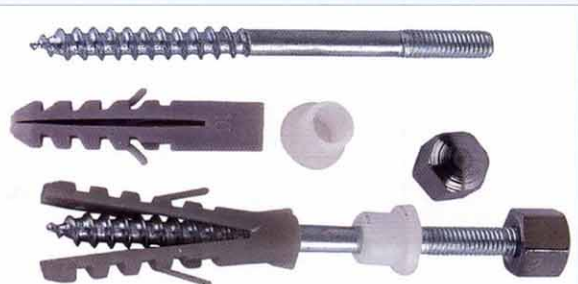
支架插片 Insert pin of support

规格	外箱尺寸/cm	箱装/Pcs	重量/Kgs
145mm	35x17x17	250	10
180mm	35x20x17	250	14


**DF-3006**

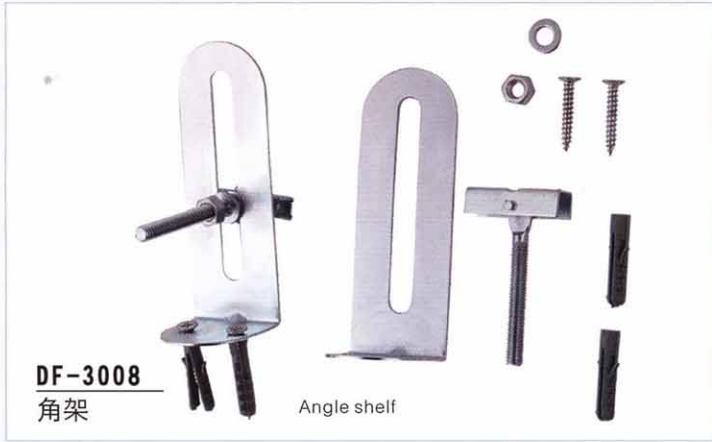
尼龙壁虎 Nylon anchor

规格	外箱尺寸/cm	包装数量	重量/Kgs
9.5x36	40x38x26	5000	10.5


**DF-3007**

塑膨连杆 Plastic expansion connect pole

规格	包装尺寸/cm	数量(只)	毛净重/Kgs
M5x75	24x21x12	200	5
M6x80	24x21x12	200	6



**DF-3008**  
角架

Angle shelf

规格	外箱尺寸/cm	包装数量	重量/Kgs
95mm	40x22x12	100包	11



**DF-3009**  
洁具配件 Cleaning device fittings

规格	外箱尺寸/cm	包装数量	重量/Kgs
M8x80	20x22x15	100	



**DF-3010**  
锰钢膨插 Manganese steel expansion plug

规格	外箱内径/cm	包装数量	重量/Kgs
M5x26	28x18x13	2000	6
M6x30	28x18x13	2000	8
M6x40	53x17x13	2000	10
M6x50		2000	12
M6x60		2000	13
M8x70		1000	17.6
M6x80	53x21x13	2000	12
M8x90		1000	15
M8x110	53x27x13	1000	17.5
M8x130	53x27x16	1000	20
M8x150	55x27x18	1000	23
M8x180	75x27x19	1000	25



**DF-4001**  
瓦楞垫片 Corrugation gasket

规格	包装尺寸/cm	箱装/pcs	净重/Kgs
38x27x0.6	55x26x20	2000	
27x0.6	40x26x20	2000	


**DF-4002**

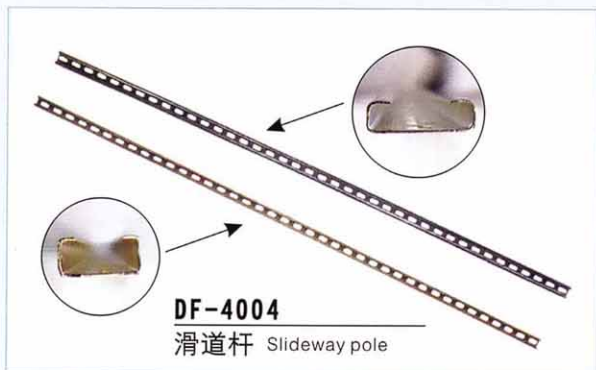
兰花夹 Orchid clamp

规格	包装尺寸/cm	数量(只)	毛净重/Kgs
M3	55x22x20	2000	7
M4	55x22x22	2000	9.5
M5	55x22x24	2000	13.5
M6	55x22x26	2000	20
M8	55x22x28	2000	24


**DF-4003**

滑轮 Pulley

规格	包装尺寸/cm	数量(只)	毛净重/Kgs
40	50x22x40	500	22


**DF-4004**

滑道杆 Slideway pole

滑杆	外箱尺寸/cm	箱装/PCS
1000x25x8	102x14x9	50
1000x20.5x10	102x12x12	50


**DF-4005**

弹簧钢缆 Spring guy wire

规格	包装尺寸/cm	每箱装/条	毛净重/Kgs
1/8"x20"	54x16x16	100	11.5
1/4"x38"	100x25x14	50	23


**DF-4006**

鞍式管夹 Saddle type pipe clamp

规格	包装尺寸/cm	每箱装/条	毛净重/Kgs
20mm	50x20x8	200	9.5
23mm	50x22x8	200	10.5
26mm	50x25x8	200	12.5
29mm	60x25x12	200	14.5
32mm	60x28x15	200	16.5
36mm	40x38x14	100	14.5
38mm	40x40x14	100	16.5



**DF-4007**  
过滤罩 Filtration cover

规格	外箱尺寸/cm	箱装/Pcs	重量/Kgs
1"	32x32x13	50	10
1.1/4"	32x32x13	50	12.5
1.1/2"	55x55x25	50	17.5
2"	55x55x25	50	18
3"	60x30x19	8	7.5



**DF-4008**  
"F"夹 "F"clamp

规格	直径/mm	带宽/mm	料厚/mm
1/4"	12	12	1.0
3/8"	16	12	1.0
1/2"	20	15	1.0
3/4"	26	15	1.0
1"	32	18	1.0



**DF-4009**  
"U"夹 "U"clamp

规格	直径/mm	带宽/mm	料厚/mm
1/2"	20	15	1.2
3/4"	26	15	1.2
1"	32	18	1.2
1-1/4"	42	18	1.2
1-1/2"	47	18	1.2
2"	60	18	1.2
2-1/2"	75	18	1.2
3"	90	18	1.2
3-1/2"	100	18	1.2
4"	115	18	1.2