

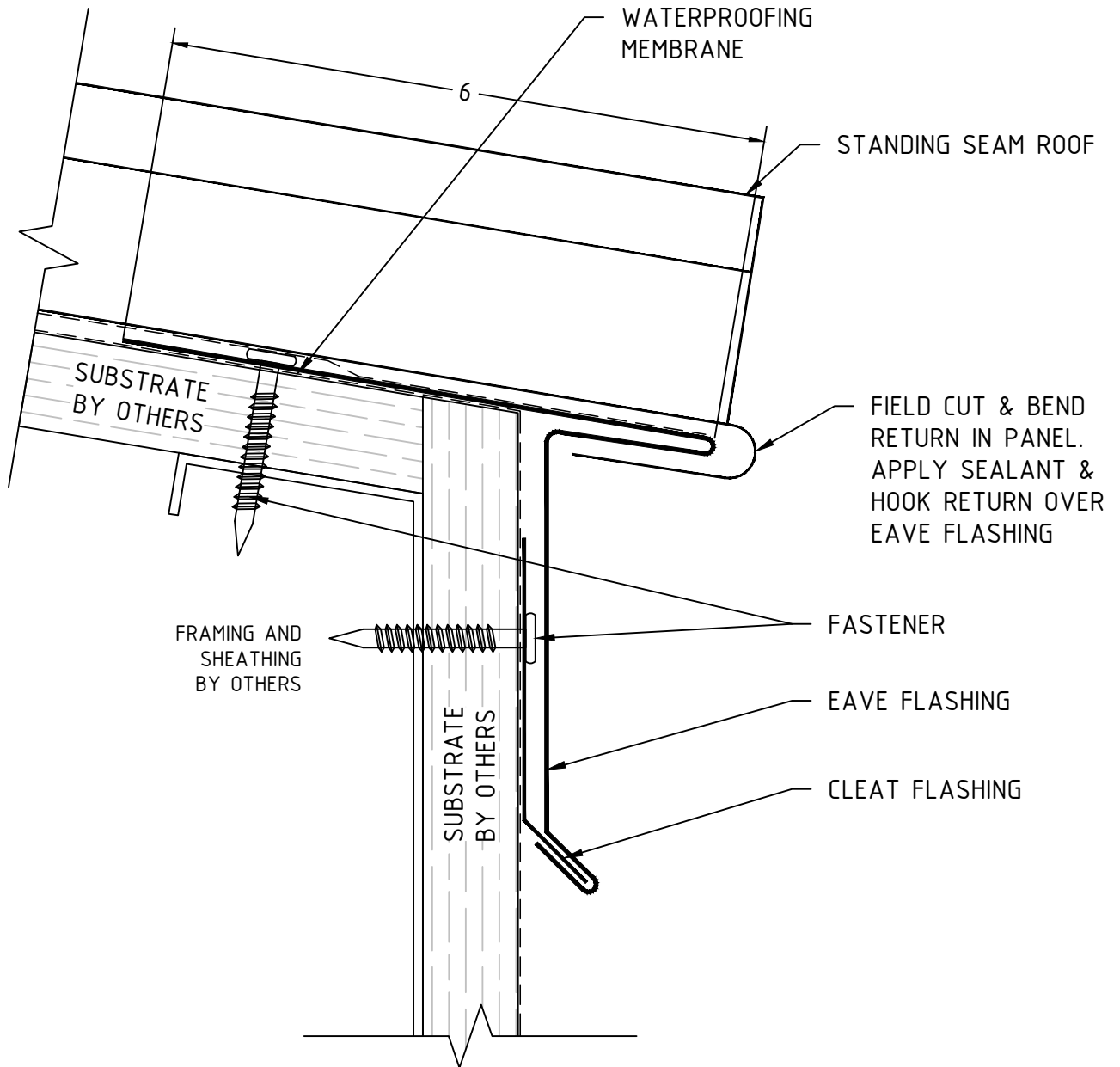
Fairfield Metal
 9 Audrey Place, Fairfield, NJ 07004
 Phone: 973-276-8440
 www.fairfieldmetal.com

Drawing Title: **STANDING SEAM ROOF
 RAKEWALL DETAIL**

Drawing No. **STSR-001**

Drawn By:

Date: **07.13.2016**



Fairfield Metal
 9 Audrey Place, Fairfield, NJ 07004
 Phone: 973-276-8440
 www.fairfieldmetal.com

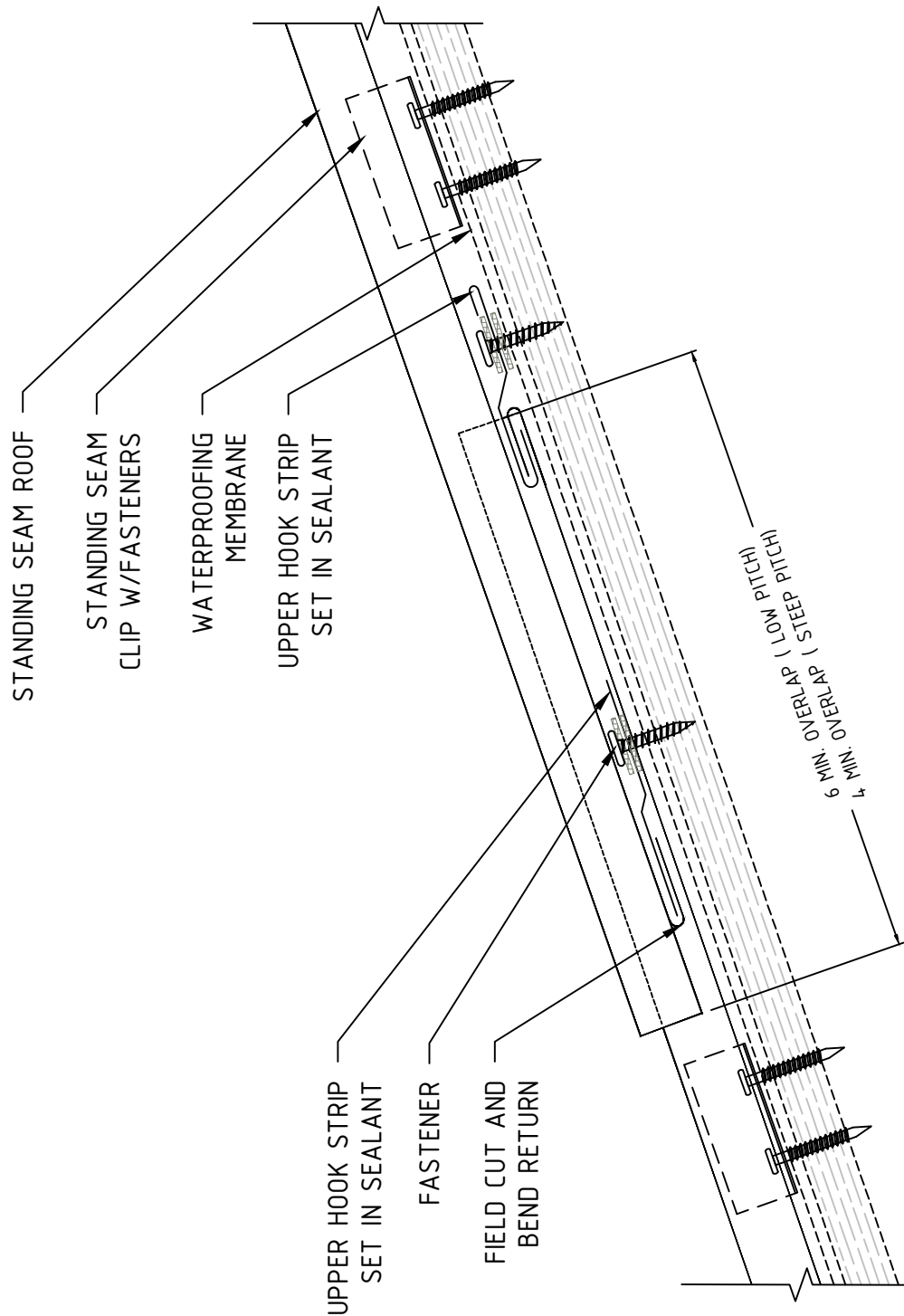
Drawing Title: **STANDING SEAM ROOF
 EAVE DETAIL**

Drawn By:

Date: **07.13.2016**

Drawing No.

STSR-002



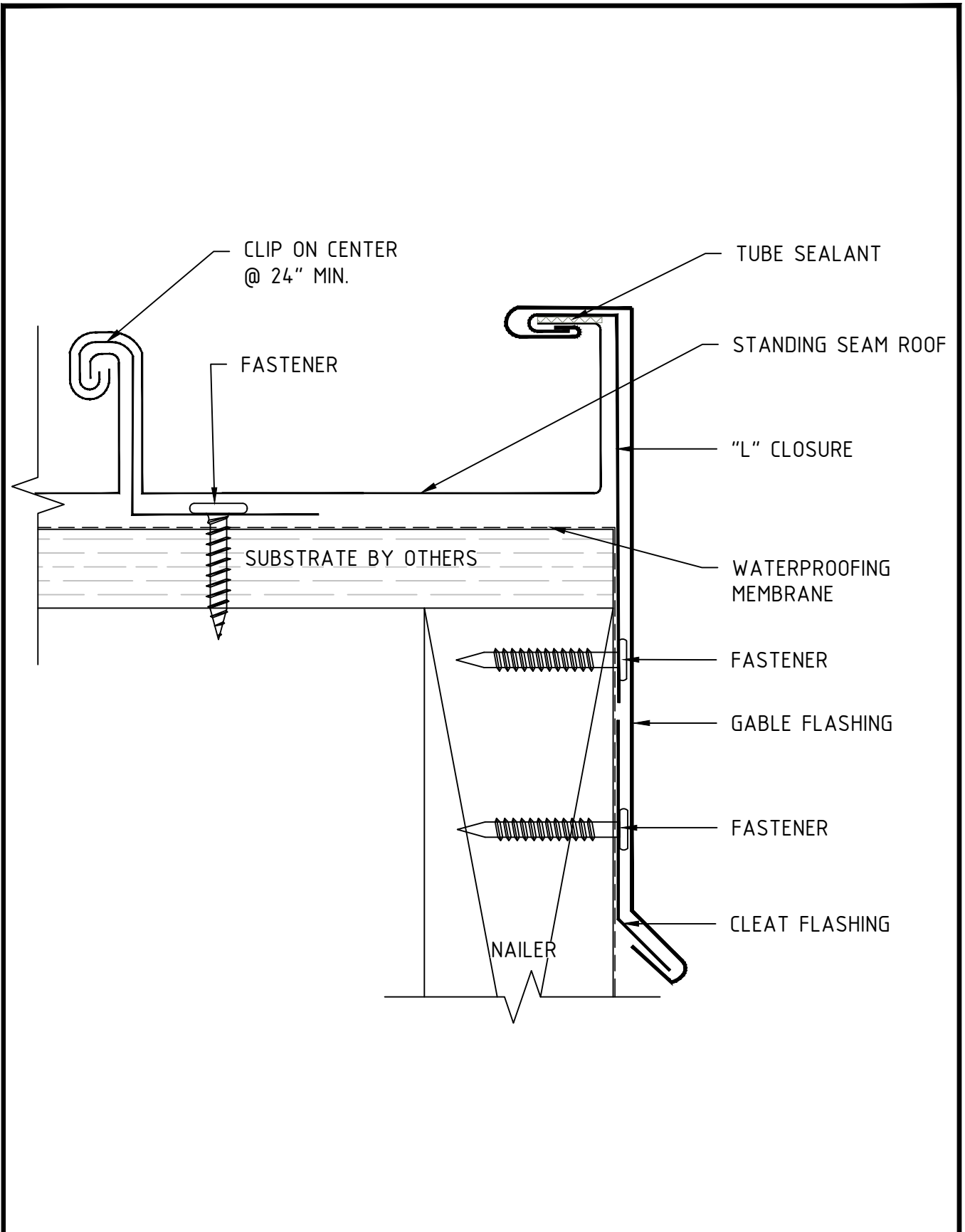
Fairfield Metal
 9 Audrey Place, Fairfield, NJ 07004
 Phone: 973-276-8440
 www.fairfieldmetal.com

Drawing Title: **STANDING SEAM ROOF
 TRANSVERSE SEAM DETAIL**

Drawing No. **STSR-003**

Drawn By:

Date: **07.13.2016**



Fairfield Metal
 9 Audrey Place, Fairfield, NJ 07004
 Phone: 973-276-8440
 www.fairfieldmetal.com

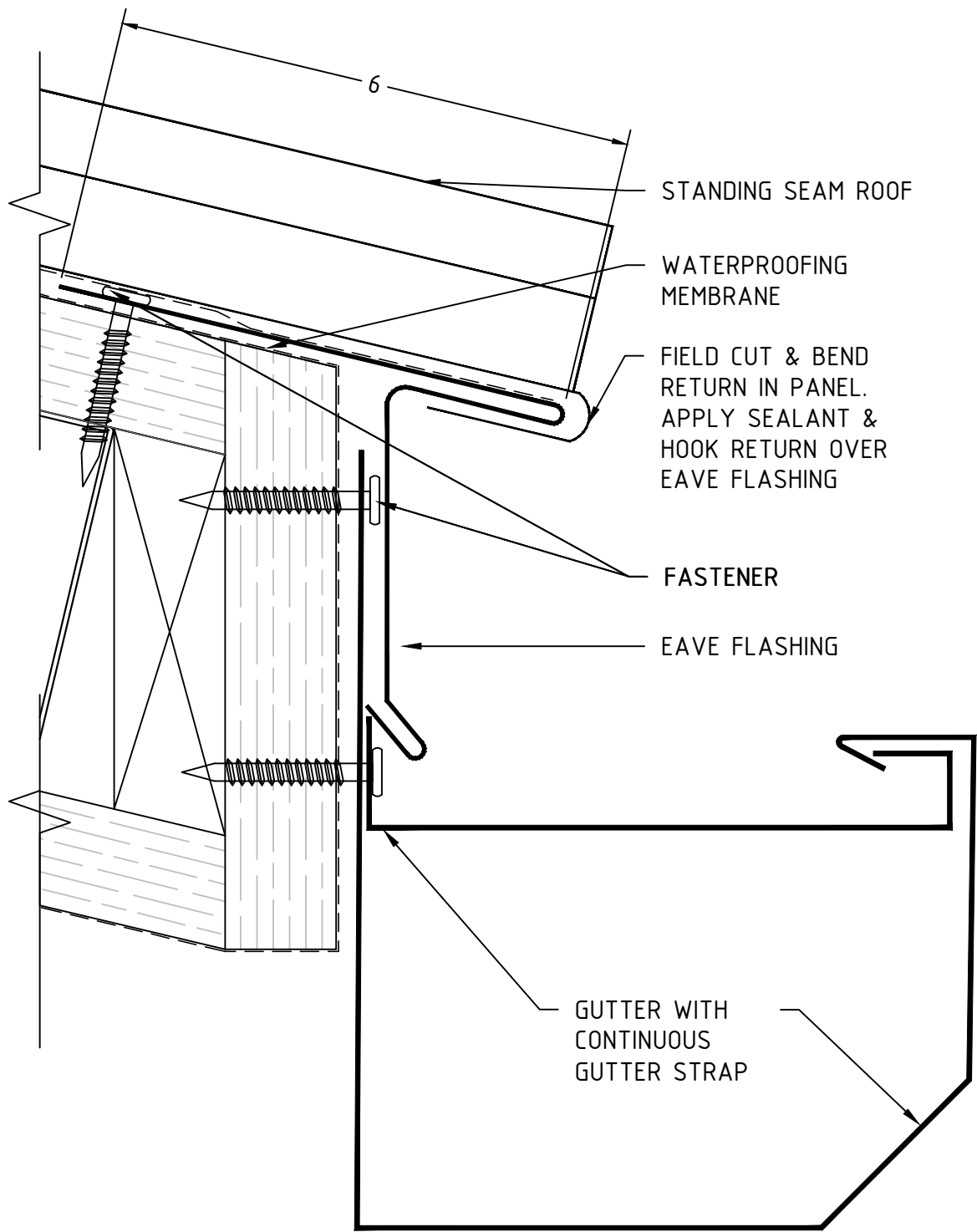
Drawing Title: **STANDING SEAM ROOF
 GABLE DETAIL**

Drawn By:

Date: **07.29.2016**

Drawing No.

STSR-004

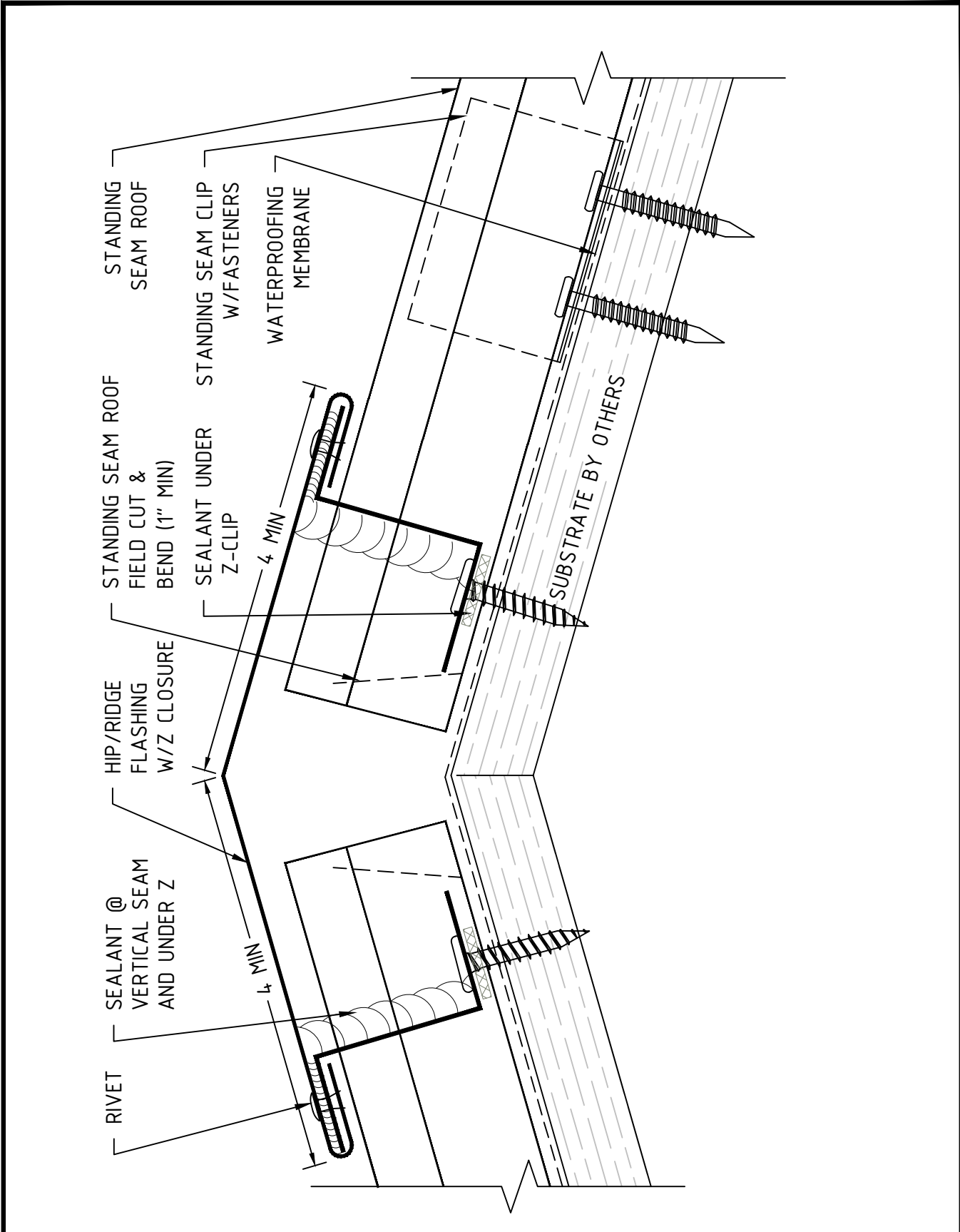


Fairfield Metal
 9 Audrey Place, Fairfield, NJ 07004
 Phone: 973-276-8440
 www.fairfieldmetal.com

Drawing Title: **STANDING SEAM ROOF
 GUTTER DETAIL**

Drawing No. **STSR-005**

Drawn By: _____ Date: **07.29.2016**

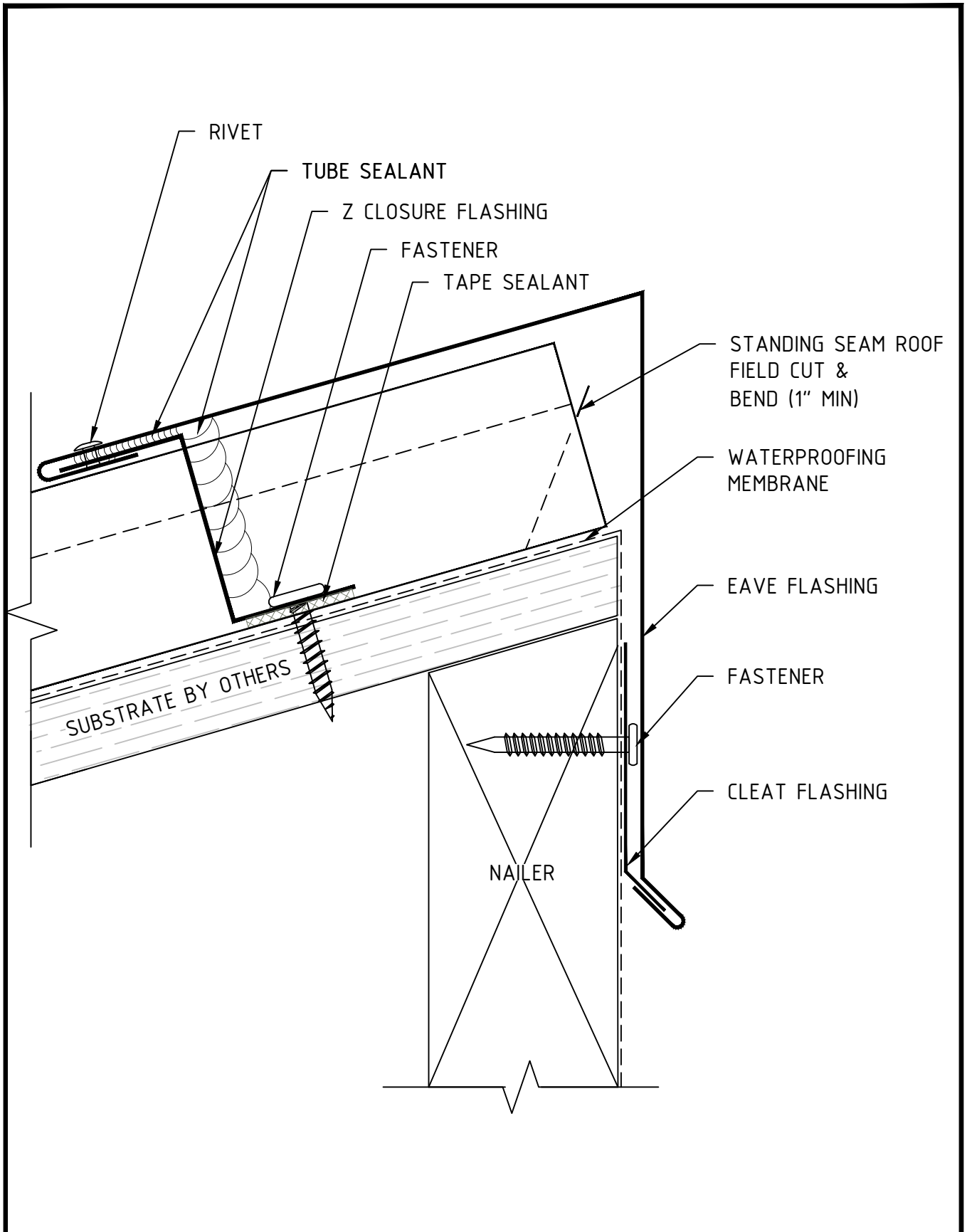


Fairfield Metal
 9 Audrey Place, Fairfield, NJ 07004
 Phone: 973-276-8440
 www.fairfieldmetal.com

Drawing Title: **STANDING SEAM ROOF
 HIPRIDGE DETAIL**

Drawing No. **STSR-006**

Drawn By: _____ Date: **07.29.2016**



Fairfield Metal

9 Audrey Place, Fairfield, NJ 07004
 Phone: 973-276-8440
 www.fairfieldmetal.com

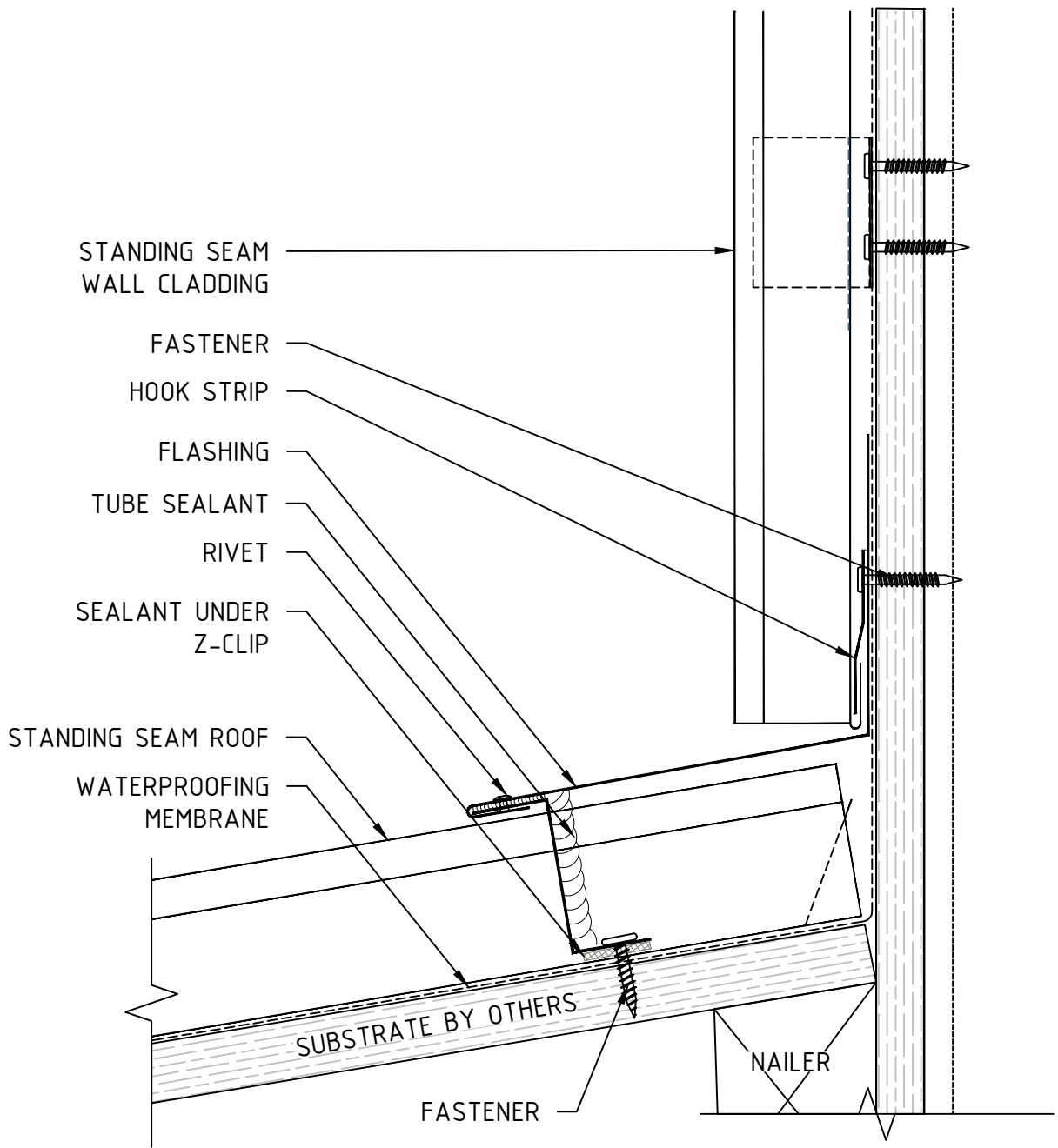
Drawing Title: STANDING SEAM ROOF
 PEAK DETAIL

Drawn By:

Date: 07.13.2016

Drawing No.

STSR-007

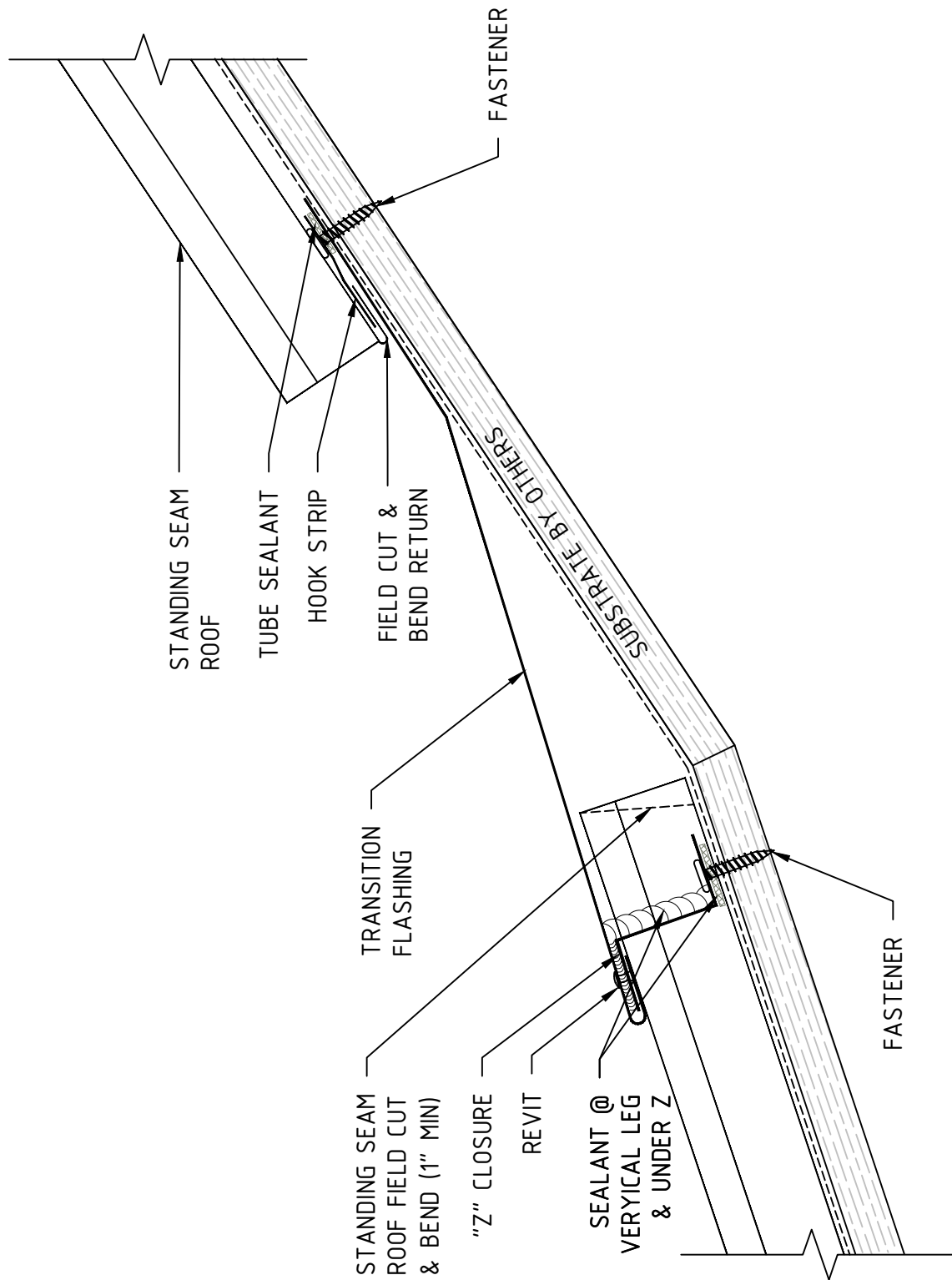


Fairfield Metal
 9 Audrey Place, Fairfield, NJ 07004
 Phone: 973-276-8440
 www.fairfieldmetal.com

Drawing Title: **STANDING SEAM ROOF
 ROOF/WALL DETAIL**

Drawing No. **STSR-008**

Date: **07.13.2016**

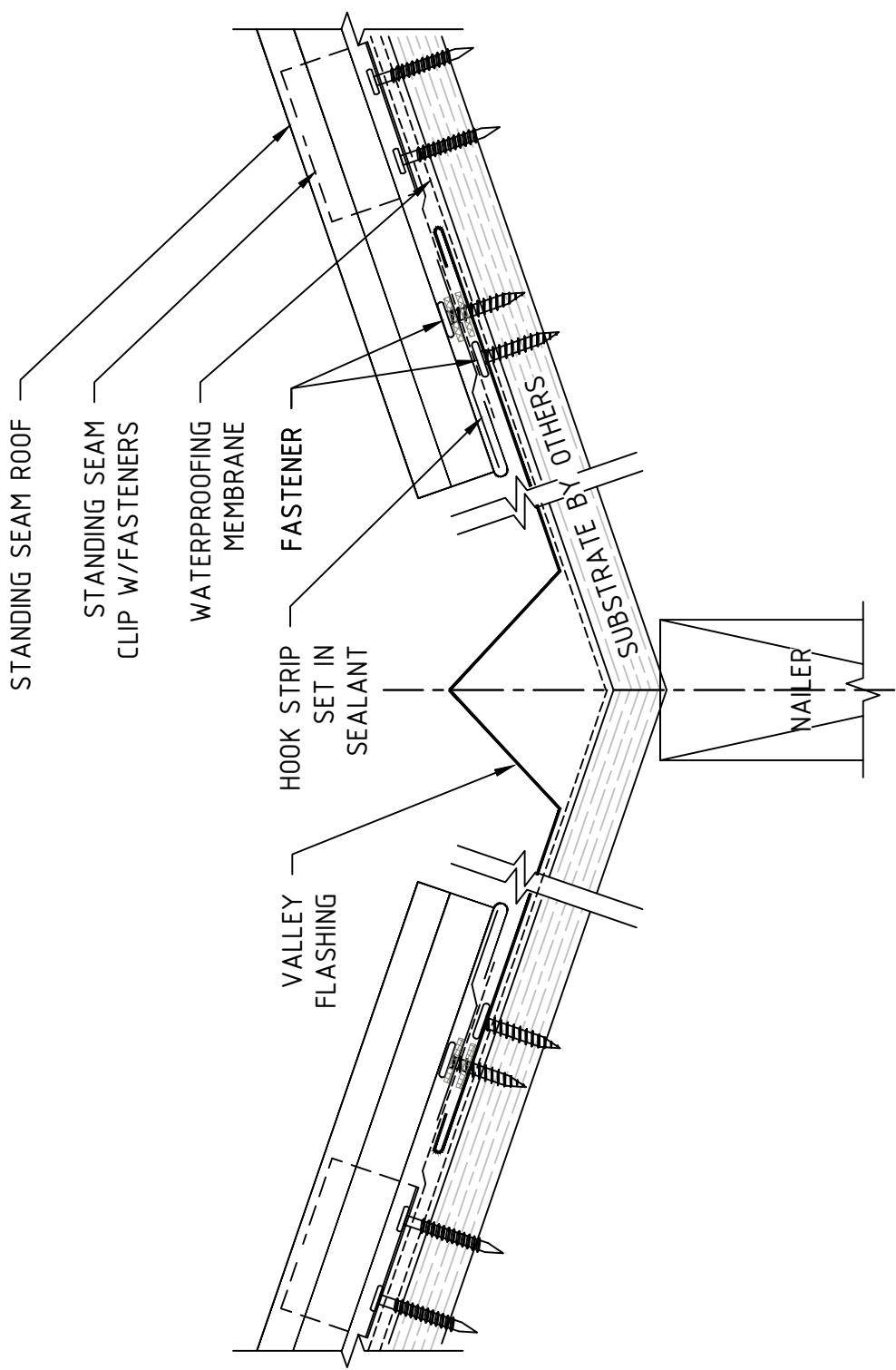


Fairfield Metal
 9 Audrey Place, Fairfield, NJ 07004
 Phone: 973-276-8440
 www.fairfieldmetal.com

Drawing Title: **STANDING SEAM ROOF
 PITCH BRAKE DETAIL**

Date: **07.13.2016**

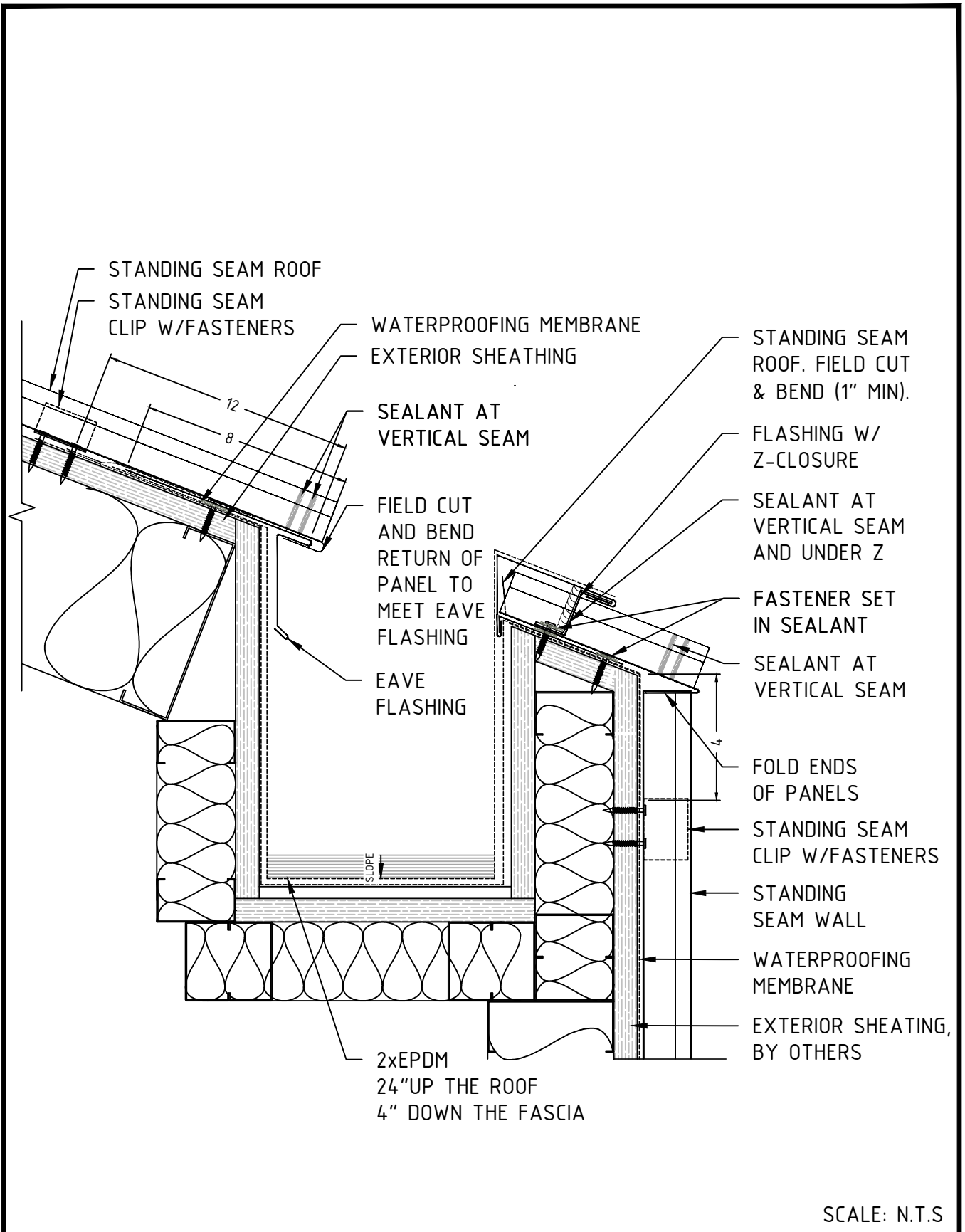
Drawing No. **STSR-009**



Fairfield Metal
 9 Audrey Place, Fairfield, NJ 07004
 Phone: 973-276-8440
 www.fairfieldmetal.com

Drawing Title: **STANDING SEAM ROOF VALLEY DETAIL**
 Date: **07.13.2016**

Drawing No. **STSR-010**



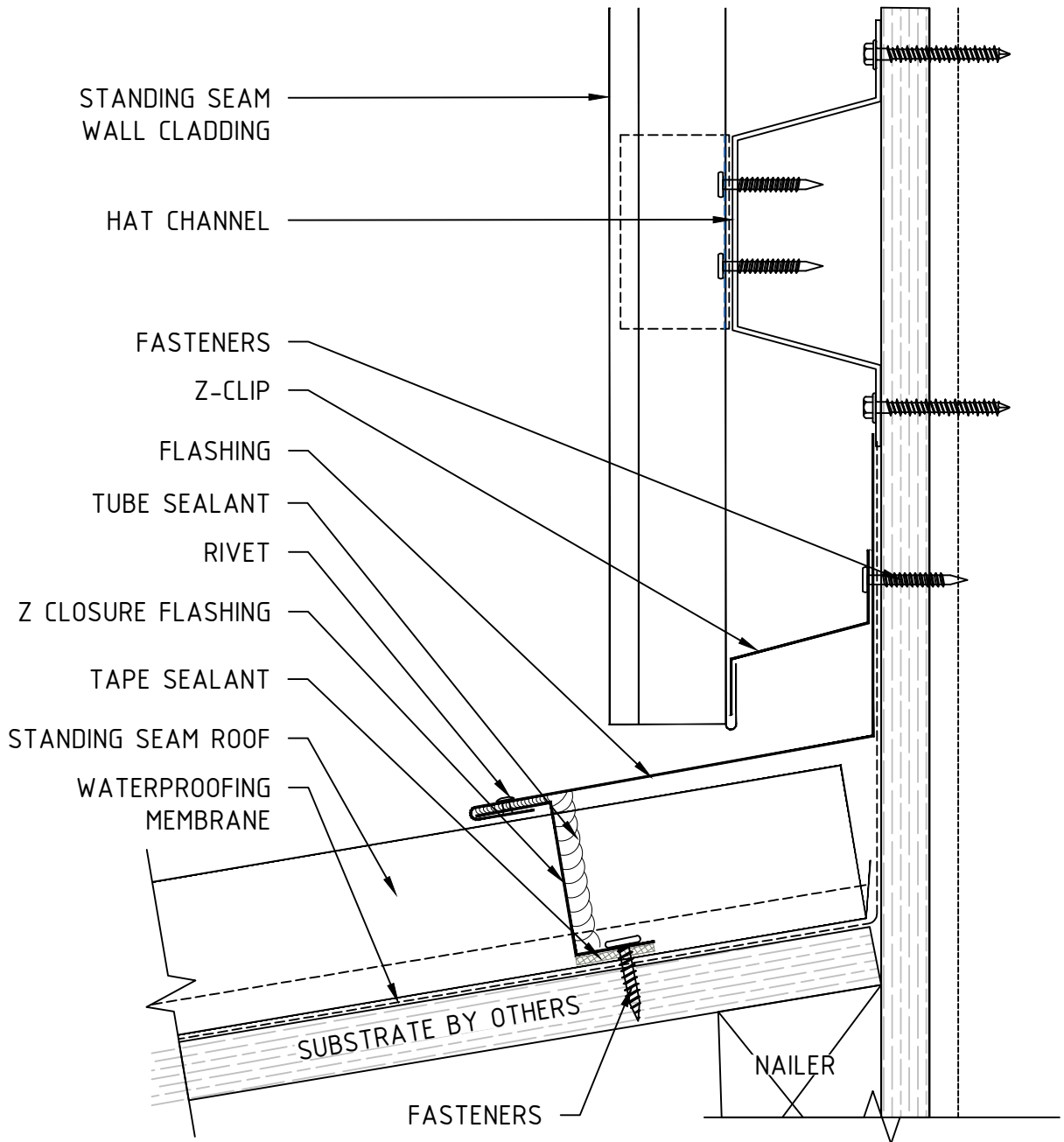
SCALE: N.T.S



Fairfield Metal
 9 Audrey Place, Fairfield, NJ 07004
 Phone: 973-276-8440
 www.fairfieldmetal.com

Drawing Title: **STANDING SEAM ROOF
 EAVE W/BUILT IN GUTTER DETAIL**
 Date: **07.13.2016**

Drawing No.
STSR-011

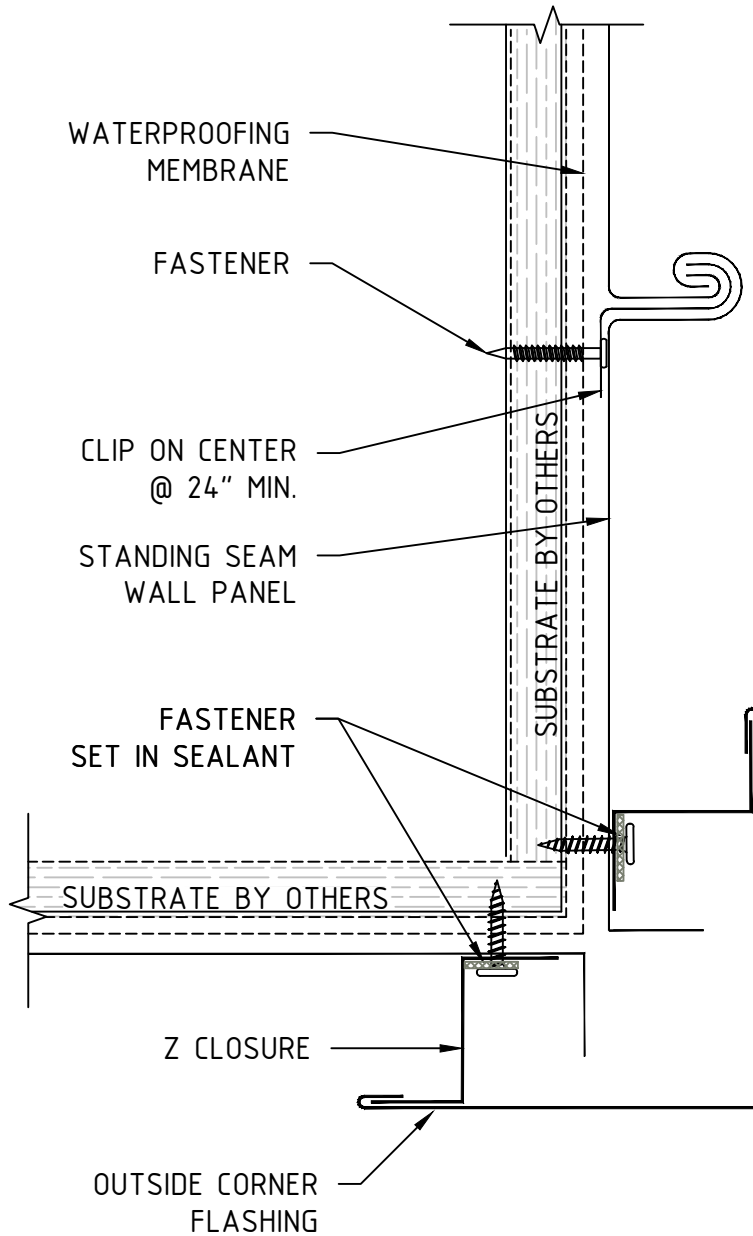


Fairfield Metal
 9 Audrey Place, Fairfield, NJ 07004
 Phone: 973-276-8440
 www.fairfieldmetal.com

Drawing Title: **STANDING SEAM ROOF
 PITCH BRAKE DETAIL**

Date: **07.13.2016**

Drawing No. **STSR-012**

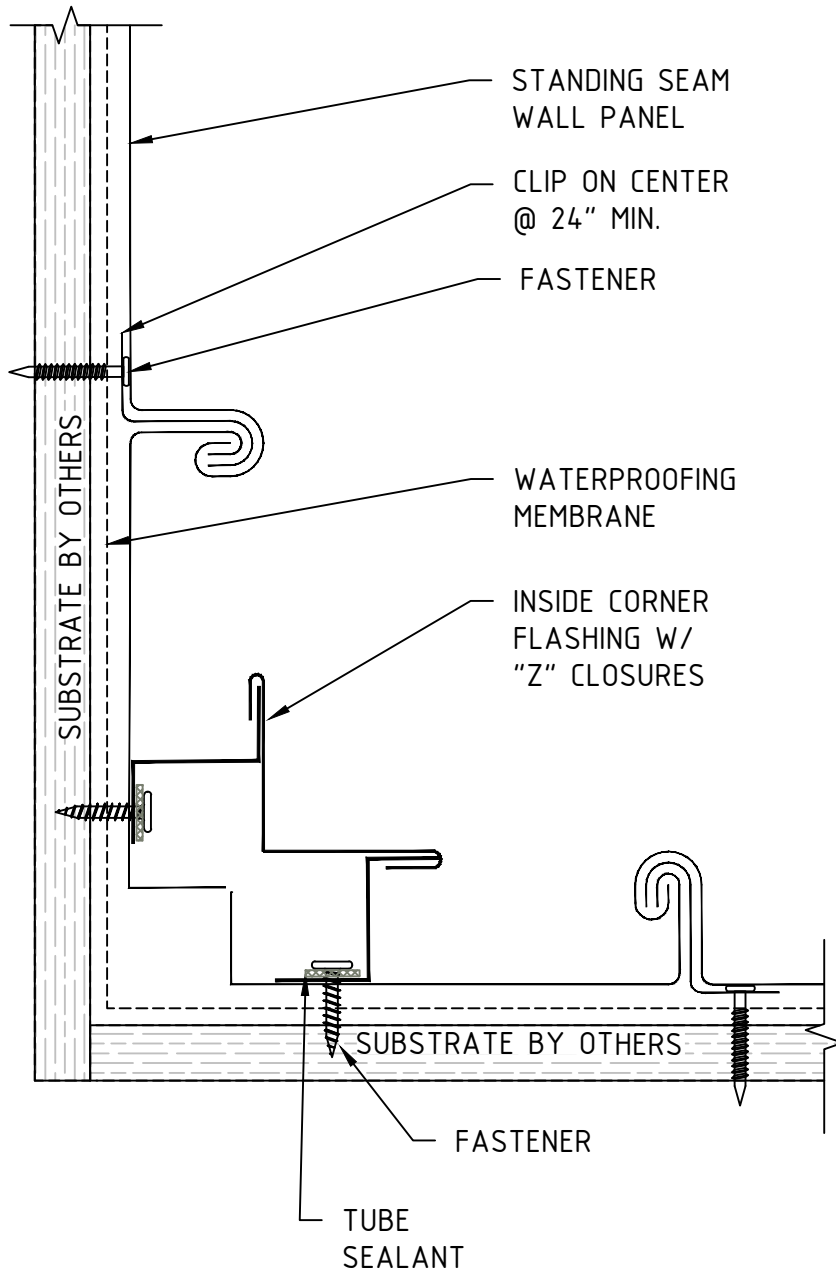


Fairfield Metal
 9 Audrey Place, Fairfield, NJ 07004
 Phone: 973-276-8440
 www.fairfieldmetal.com

Drawing Title: **STANDING SEAM WALL
 OUTSIDE CORNER DETAIL**

Drawn By: _____ Date: **07.13.2016**

Drawing No. **STSW-002**

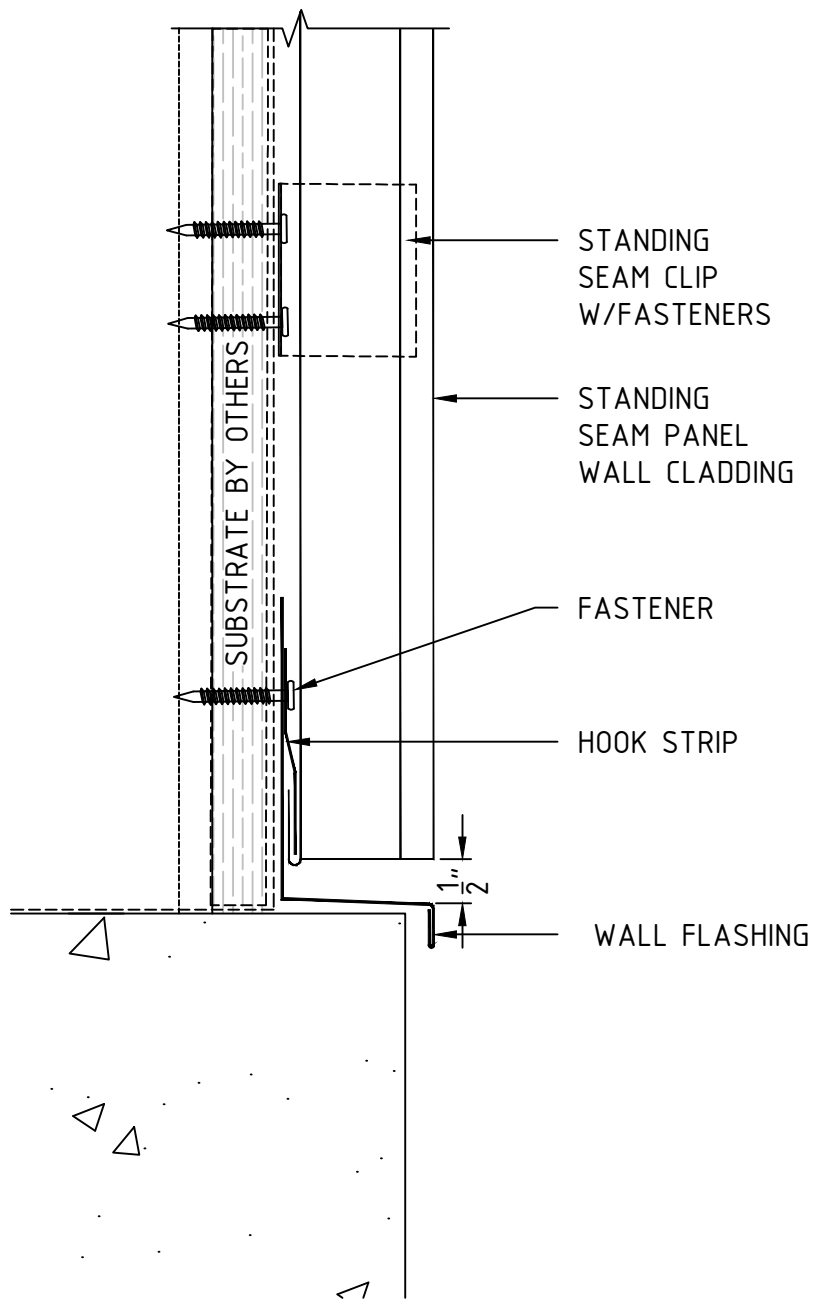


Fairfield Metal
 9 Audrey Place, Fairfield, NJ 07004
 Phone: 973-276-8440
 www.fairfieldmetal.com

Drawing Title: **STANDING SEAM WALL
 INSIDE CORNER DETAIL**

Drawn By: _____ Date: **07.13.2016**

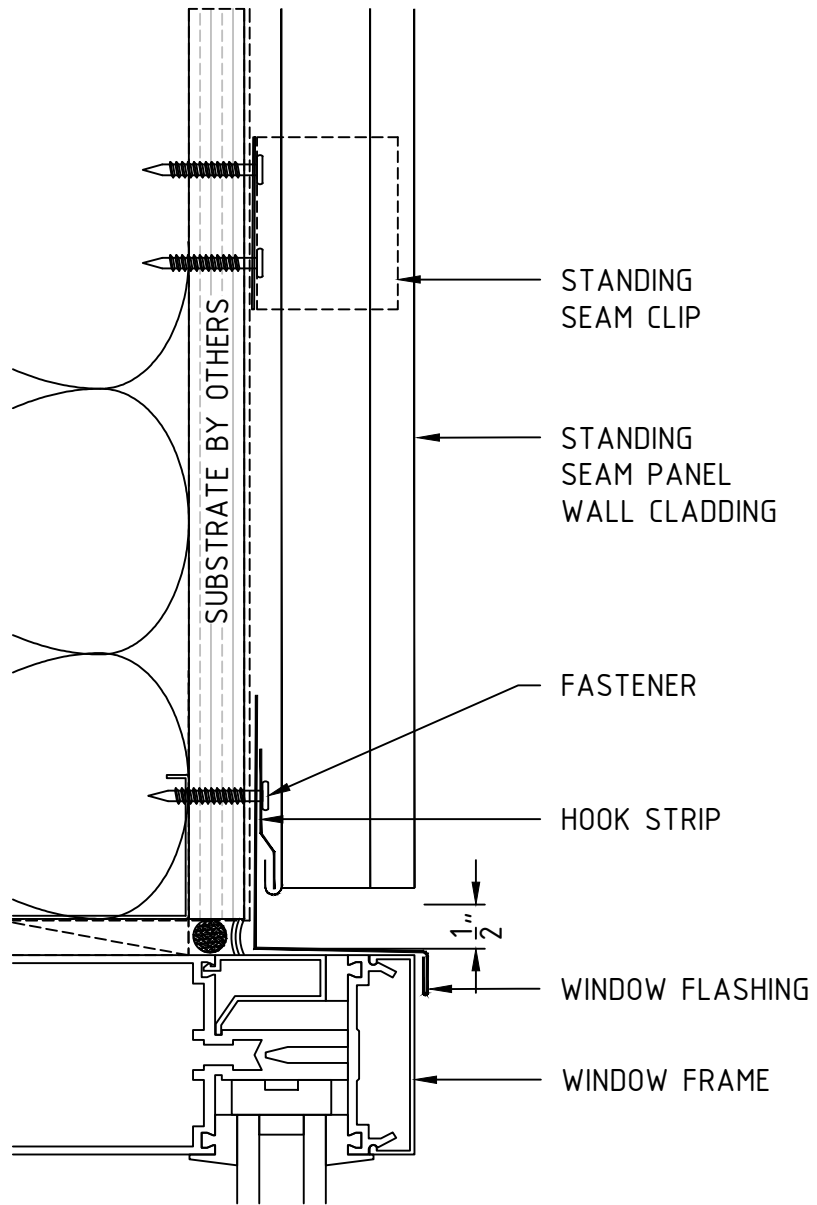
Drawing No. **STSW-003**



Fairfield Metal
 9 Audrey Place, Fairfield, NJ 07004
 Phone: 973-276-8440
 www.fairfieldmetal.com

Drawing Title: **STANDING SEAM WALL
 BASE/TERMINATION DETAIL**
 Drawn By: _____ Date: **07.13.2016**

Drawing No.
STSW-004



Fairfield Metal
 9 Audrey Place, Fairfield, NJ 07004
 Phone: 973-276-8440
 www.fairfieldmetal.com

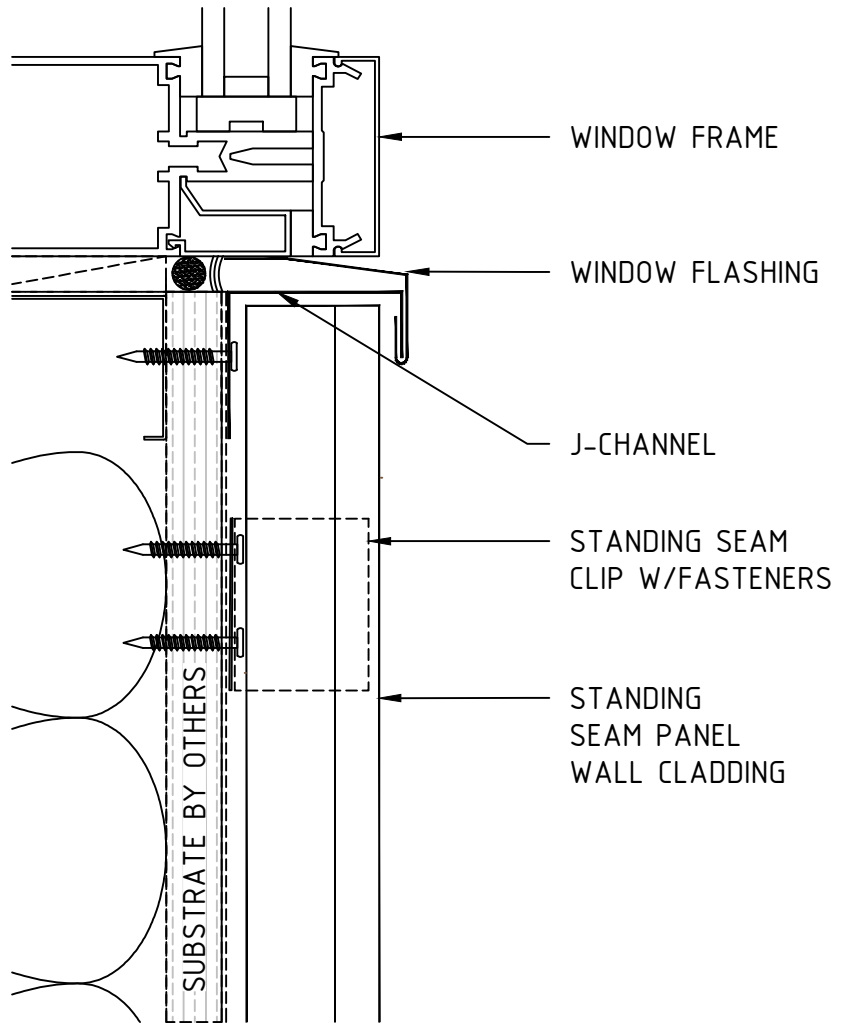
Drawing Title: STANDING SEAM WALL
 WINDOW HEAD DETAIL

Drawn By:

Date: 07.13.2016

Drawing No.

STSW-005



Fairfield Metal
 9 Audrey Place, Fairfield, NJ 07004
 Phone: 973-276-8440
 www.fairfieldmetal.com

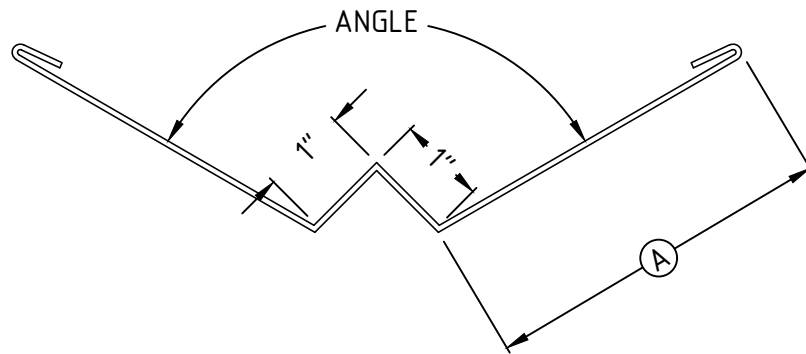
Drawing Title: **STANDING SEAM WALL
 WINDOW SILL DETAIL**

Drawn By:

Date: **07.13.2016**


Drawing No.

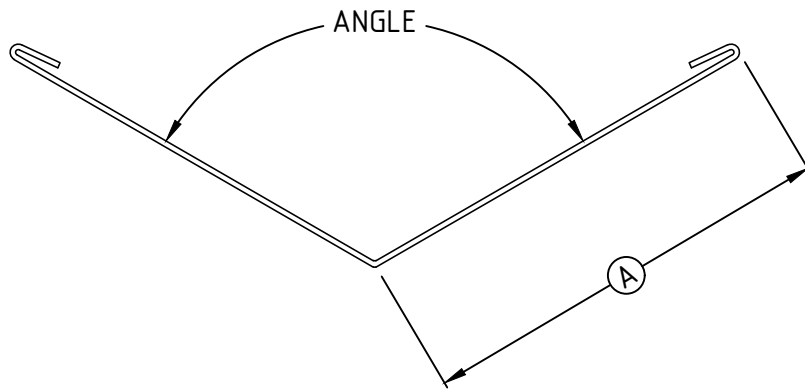
STSW-006



MATERIAL	FINISH	COLOR	DIMENSION	QUANTITIES
<input type="checkbox"/> 24 GA GALV.	<input type="checkbox"/> KYNAR		A=	LINEAR FT.
<input type="checkbox"/> .032 ALUMIN.	<input type="checkbox"/> MILL FINISH		ANGLE=	
<input type="checkbox"/> .040 ALUMIN.	<input type="checkbox"/> ENAMEL			
<input type="checkbox"/>	<input type="checkbox"/> ANODIZED			
<input type="checkbox"/> OTHER	<input type="checkbox"/> OTHER			


PROJECT:	<p>FABRICATION WILL PROCEED ONLY AFTER RECEIPT OF SIGNED DRAWING APPROVAL</p> <p align="center">DRAWING APPROVAL</p> <p>ARCHITECT AND /OR CONTRACTOR SHALL VERIFY ALL DIMENSIONS, SIZES AND QUANTITIES. ALL PRODUCTS TO BE INSTALLED IN STRICT ACCORDANCE WITH FAIRFIELD METAL'S PRINTED INSTRUCTIONS.</p> <p>APPROVED BY _____ DATE _____</p>
ARCHITECT:	
ROOFING CONTRACTOR:	
REPRESENTATIVE:	

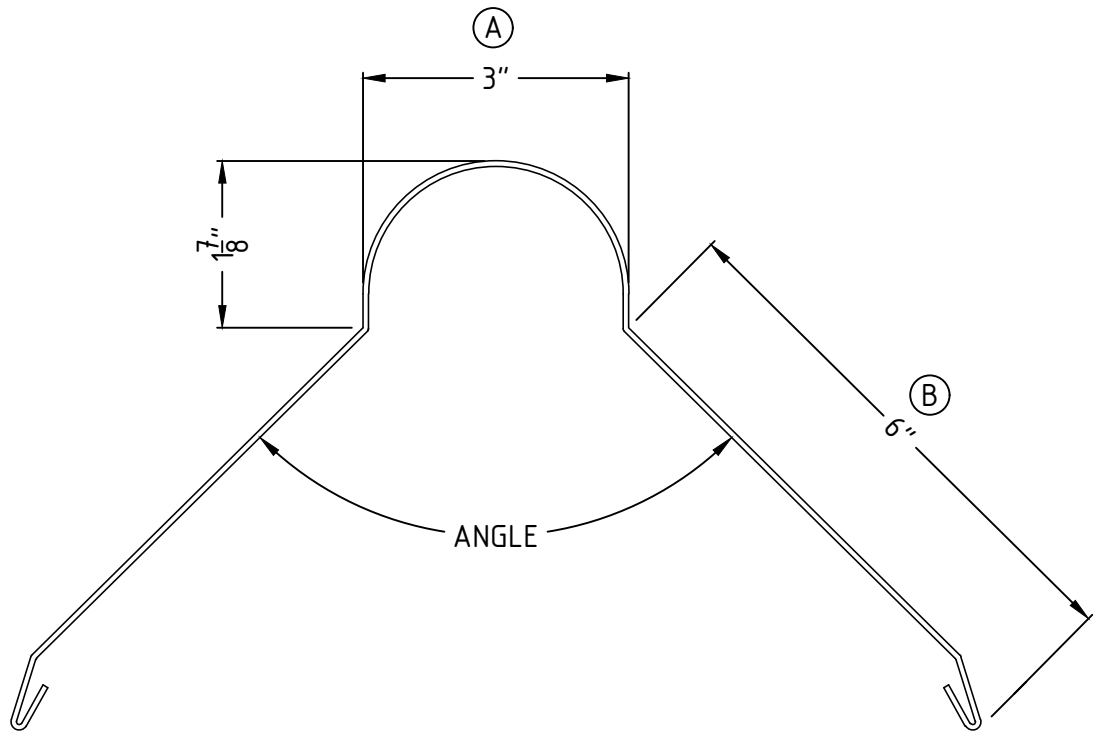
 <p>Fairfield Metal 9 Audrey Place, Fairfield, NJ 07004 Phone: 973-276-8440 www.fairfieldmetal.com</p>	Drawing Title: <p align="center">W VALLEY FLASHING</p>	Drawing No. <p align="center">VR-001</p>
	Drawn By: MD	Date: 05.04.2015



MATERIAL	FINISH	COLOR	DIMENSION	QUANTITIES
<input type="checkbox"/> 24 GA GALV.	<input type="checkbox"/> KYNAR		A=	LINEAR FT.
<input type="checkbox"/> .032 ALUMIN.	<input type="checkbox"/> MILL FINISH		ANGLE=	
<input type="checkbox"/> .040 ALUMIN.	<input type="checkbox"/> ENAMEL			
<input type="checkbox"/>	<input type="checkbox"/> ANODIZED			
<input type="checkbox"/> OTHER	<input type="checkbox"/> OTHER			

PROJECT:	<p>FABRICATION WILL PROCEED ONLY AFTER RECEIPT OF SIGNED DRAWING APPROVAL</p> <p align="center">DRAWING APPROVAL</p> <p>ARCHITECT AND /OR CONTRACTOR SHALL VERIFY ALL DIMENSIONS, SIZES AND QUANTITIES. ALL PRODUCTS TO BE INSTALLED IN STRICT ACCORDANCE WITH FAIRFIELD METAL'S PRINTED INSTRUCTIONS.</p>
ARCHITECT:	
ROOFING CONTRACTOR:	
REPRESENTATIVE:	
APPROVED BY _____ DATE _____	


	<p>Fairfield Metal 9 Audrey Place, Fairfield, NJ 07004 Phone: 973-276-8440 www.fairfieldmetal.com</p>	Drawing Title:	Drawing No.
		<p>V VALLEY FLASHING</p>	<p>VR-002</p>
		Drawn By: MD	Date: 05.04.2015



* CUSTOM SIZES AVAILABLE

MATERIAL	FINISH	COLOR	DIMENSION	QUANTITIES
<input type="checkbox"/> 24 GA GALV.	<input type="checkbox"/> KYNAR		A=	LINEAR FT.
<input type="checkbox"/> .032 ALUMIN.	<input type="checkbox"/> MILL FINISH		B=	
<input type="checkbox"/> .040 ALUMIN.	<input type="checkbox"/> ENAMEL		ANGLE=	
<input type="checkbox"/>	<input type="checkbox"/> ANODIZED			
<input type="checkbox"/> OTHER	<input type="checkbox"/> OTHER			

PROJECT:	<p>FABRICATION WILL PROCEED ONLY AFTER RECEIPT OF SIGNED DRAWING APPROVAL</p> <p align="center">DRAWING APPROVAL</p> <p>ARCHITECT AND /OR CONTRACTOR SHALL VERIFY ALL DIMENSIONS, SIZES AND QUANTITIES. ALL PRODUCTS TO BE INSTALLED IN STRICT ACCORDANCE WITH FAIRFIELD METAL'S PRINTED INSTRUCTIONS.</p> <p>APPROVED BY _____ DATE _____</p>
ARCHITECT:	
ROOFING CONTRACTOR:	
REPRESENTATIVE:	

 <p>Fairfield Metal 9 Audrey Place, Fairfield, NJ 07004 Phone: 973-276-8440 www.fairfieldmetal.com</p>	Drawing Title: RIDGE ROLL	Drawing No. VR-003
	Drawn By: MD	Date: 05.04.2015