
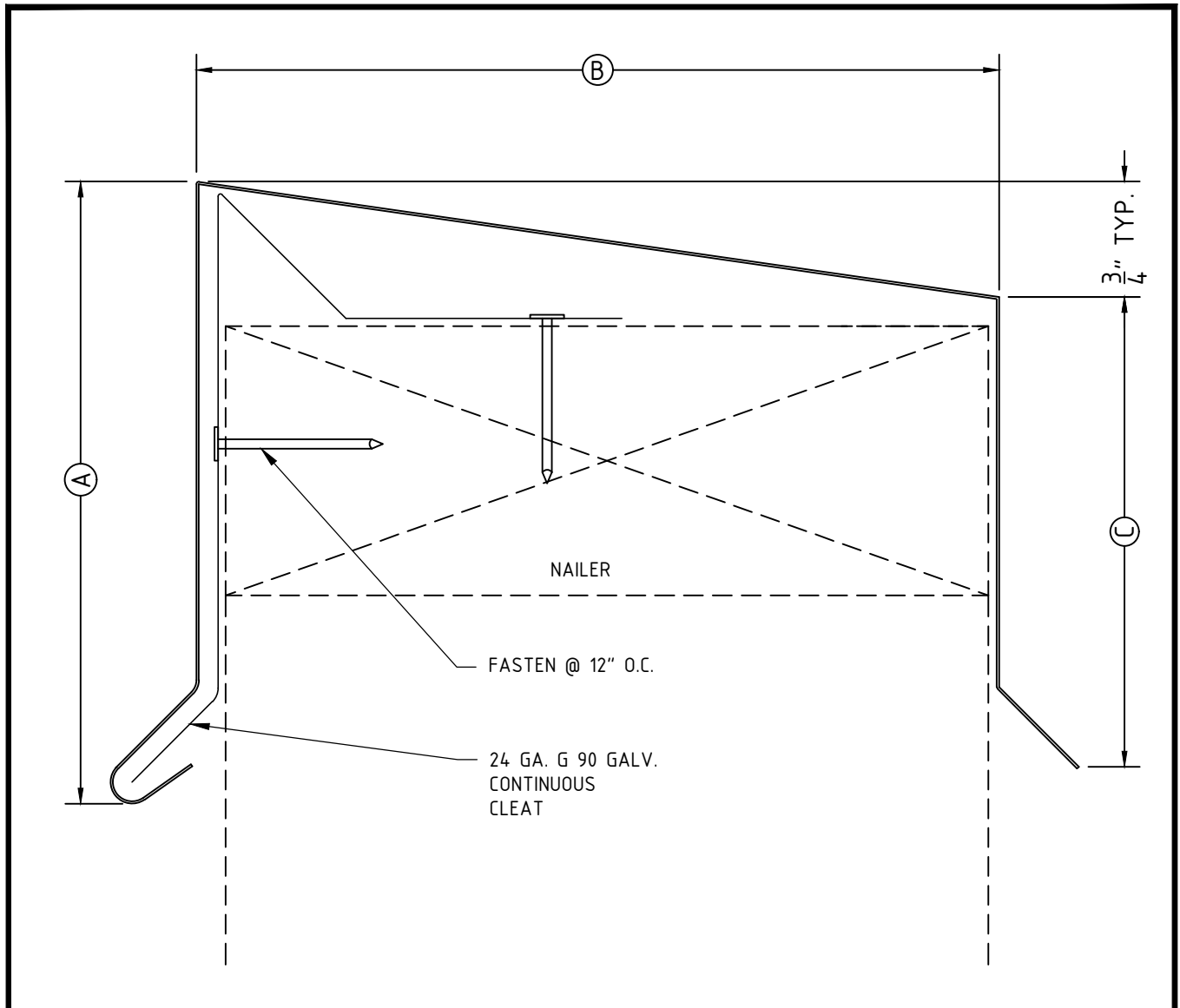


MATERIAL	FINISH	COLOR	DIMENSION	QUANTITIES
<input type="checkbox"/> 24 GA. GALV.	<input type="checkbox"/> KYNAR		A=	LINEAR FT
<input type="checkbox"/> .032 ALUMIN.	<input type="checkbox"/> MILL FINISH		B=	OUTSIDE MITERS DEG.
<input type="checkbox"/> .040 ALUMIN.	<input type="checkbox"/> ENAMEL		C=	INSIDE MITERS DEG.
<input type="checkbox"/> .050 ALUMIN.	<input type="checkbox"/> ANODIZED		D=	RIGHT END CAPS
<input type="checkbox"/> .063 ALUMIN.			ANGLE 1=	LEFT END CAPS
<input type="checkbox"/> OTHER			ANGLE 2=	

PROJECT:	FABRICATION WILL PROCEED ONLY AFTER RECEIPT OF SIGNED DRAWING APPROVAL <b>DRAWING APPROVAL</b> ARCHITECT AND /OR CONTRACTOR SHALL VERIFY ALL DIMENSIONS, SIZES AND QUANTITIES. ALL PRODUCTS TO BE INSTALLED IN STRICT ACCORDANCE WITH FAIRFIELD METAL'S PRINTED INSTRUCTIONS.  APPROVED BY _____ DATE _____
ARCHITECT:	
ROOFING CONTRACTOR:	
REPRESENTATIVE:	

 <b>Fairfield Metal</b> 9 Audrey Place, Fairfield, NJ 07004 Phone: 973-276-8440 www.fairfieldmetal.com	Drawing Title: <b>COPING WITH CONTINUOUS CLEAT</b>	Drawing No. <b>C-001</b>
	Drawn By: <b>MD</b>	Date: <b>02.01.2015</b>



MATERIAL	FINISH	COLOR	DIMENSION	QUANTITIES
<input type="checkbox"/> 24 GA. GALV.	<input type="checkbox"/> KYNAR		A=	LINEAR FT
<input type="checkbox"/> .032 ALUMIN.	<input type="checkbox"/> MILL FINISH		B=	OUTSIDE MITERS DEG.
<input type="checkbox"/> .040 ALUMIN.	<input type="checkbox"/> ENAMEL		C=	INSIDE MITERS DEG.
<input type="checkbox"/> .050 ALUMIN.	<input type="checkbox"/> ANODIZED		D=	RIGHT END CAPS
<input type="checkbox"/> .063 ALUMIN.			ANGLE 1=	LEFT END CAPS
<input type="checkbox"/> OTHER			ANGLE 2=	

PROJECT: \_\_\_\_\_

ARCHITECT: \_\_\_\_\_

ROOFING CONTRACTOR: \_\_\_\_\_


REPRESENTATIVE: \_\_\_\_\_

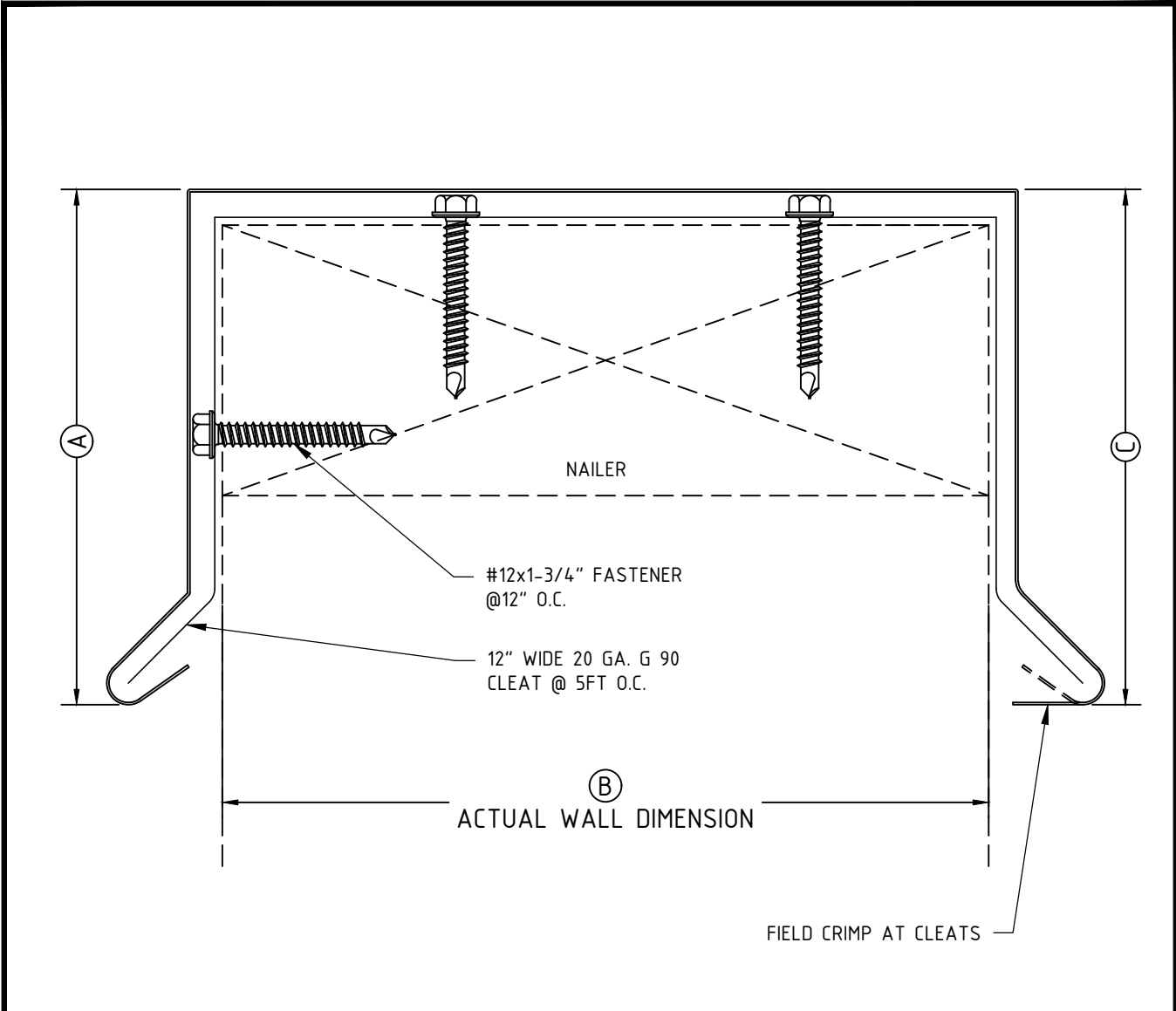
FABRICATION WILL PROCEED ONLY AFTER RECEIPT OF SIGNED DRAWING APPROVAL

**DRAWING APPROVAL**

ARCHITECT AND /OR CONTRACTOR SHALL VERIFY ALL DIMENSIONS, SIZES AND QUANTITIES. ALL PRODUCTS TO BE INSTALLED IN STRICT ACCORDANCE WITH FAIRFIELD METAL'S PRINTED INSTRUCTIONS.

APPROVED BY \_\_\_\_\_ DATE \_\_\_\_\_

 <p><b>Fairfield Metal</b> 9 Audrey Place, Fairfield, NJ 07004 Phone: 973-276-8440 www.fairfieldmetal.com</p>	Drawing Title: <b>COPING</b> <b>WITH CONTINUOUS CLEAT PITCHED</b>		Drawing No. <b>C-002</b>
	Drawn By: <b>MD</b>	Date: <b>02.01.2015</b>	



MATERIAL	FINISH	COLOR	DIMENSION	QUANTITIES
<input type="checkbox"/> 24 GA. GALV.	<input type="checkbox"/> KYNAR		A=	LINEAR FT
<input type="checkbox"/> .032 ALUMIN.	<input type="checkbox"/> MILL FINISH		B=	OUTSIDE MITERS DEG.
<input type="checkbox"/> .040 ALUMIN.	<input type="checkbox"/> ENAMEL		C=	INSIDE MITERS DEG.
<input type="checkbox"/> .050 ALUMIN.	<input type="checkbox"/> ANODIZED		D=	RIGHT END CAPS
<input type="checkbox"/> .063 ALUMIN.			ANGLE 1=	LEFT END CAPS
<input type="checkbox"/> OTHER			ANGLE 2=	

PROJECT: \_\_\_\_\_

ARCHITECT: \_\_\_\_\_

ROOFING CONTRACTOR: \_\_\_\_\_


REPRESENTATIVE: \_\_\_\_\_

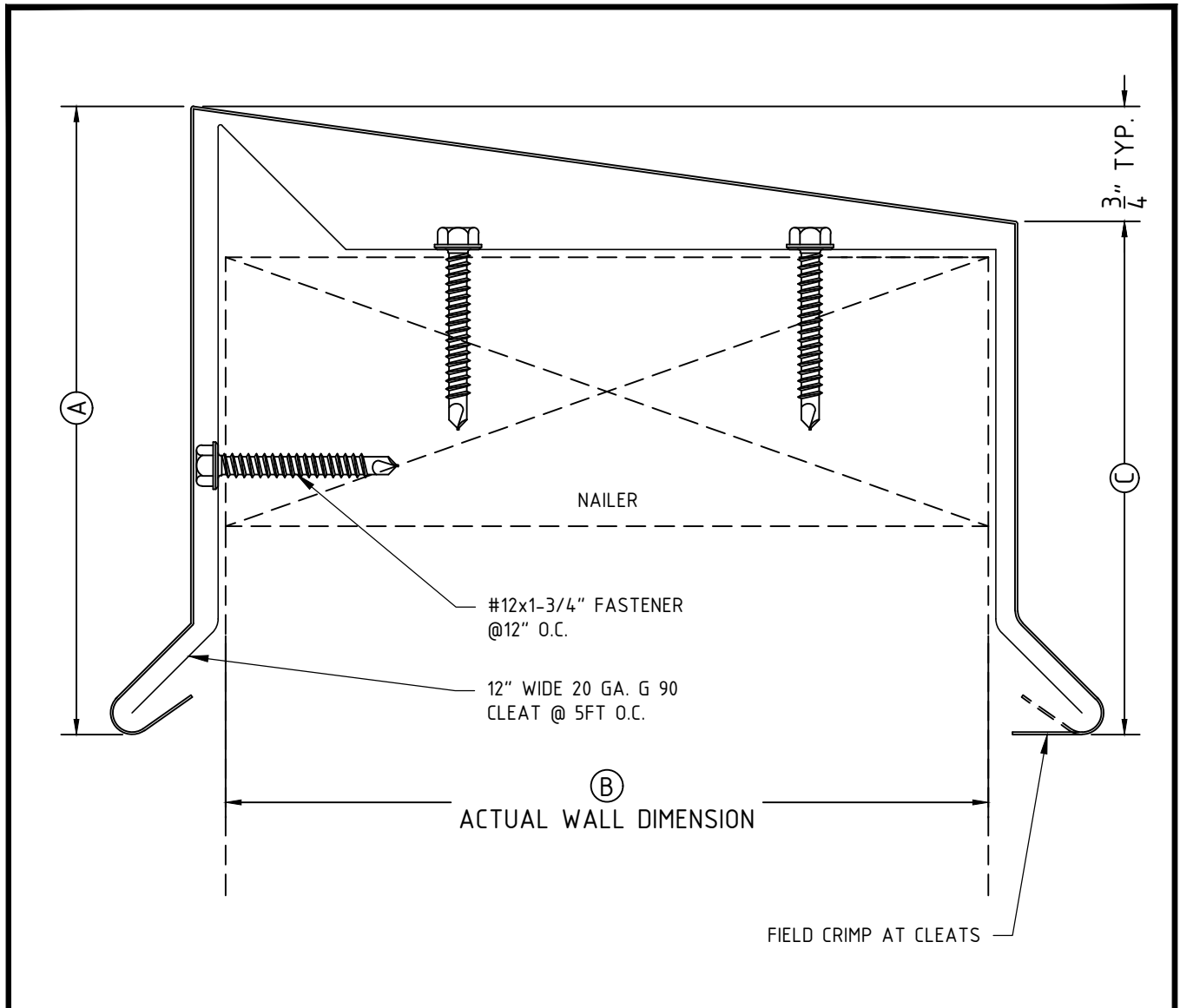
FABRICATION WILL PROCEED ONLY AFTER RECEIPT OF SIGNED DRAWING APPROVAL

**DRAWING APPROVAL**

ARCHITECT AND /OR CONTRACTOR SHALL VERIFY ALL DIMENSIONS, SIZES AND QUANTITIES. ALL PRODUCTS TO BE INSTALLED IN STRICT ACCORDANCE WITH FAIRFIELD METAL'S PRINTED INSTRUCTIONS.

APPROVED BY \_\_\_\_\_ DATE \_\_\_\_\_

 <p><b>Fairfield Metal</b> 9 Audrey Place, Fairfield, NJ 07004 Phone: 973-276-8440 www.fairfieldmetal.com</p>	Drawing Title: <b>COPING MECHANICAL LOCK</b>		Drawing No. <b>C-003</b>
	Drawn By: <b>MD</b>	Date: <b>02.01.2015</b>	



MATERIAL	FINISH	COLOR	DIMENSION	QUANTITIES
<input type="checkbox"/> 24 GA. GALV.	<input type="checkbox"/>		A=	LINEAR FT
<input type="checkbox"/> .032 ALUMIN.	<input type="checkbox"/>		B=	OUTSIDE MITERS DEG.
<input type="checkbox"/> .040 ALUMIN.	<input type="checkbox"/>		C=	INSIDE MITERS DEG.
<input type="checkbox"/> .050 ALUMIN.	<input type="checkbox"/>		D=	RIGHT END CAPS
<input type="checkbox"/> .063 ALUMIN.			ANGLE 1=	LEFT END CAPS
<input type="checkbox"/> OTHER			ANGLE 2=	

PROJECT: \_\_\_\_\_

ARCHITECT: \_\_\_\_\_

ROOFING CONTRACTOR: \_\_\_\_\_


REPRESENTATIVE: \_\_\_\_\_

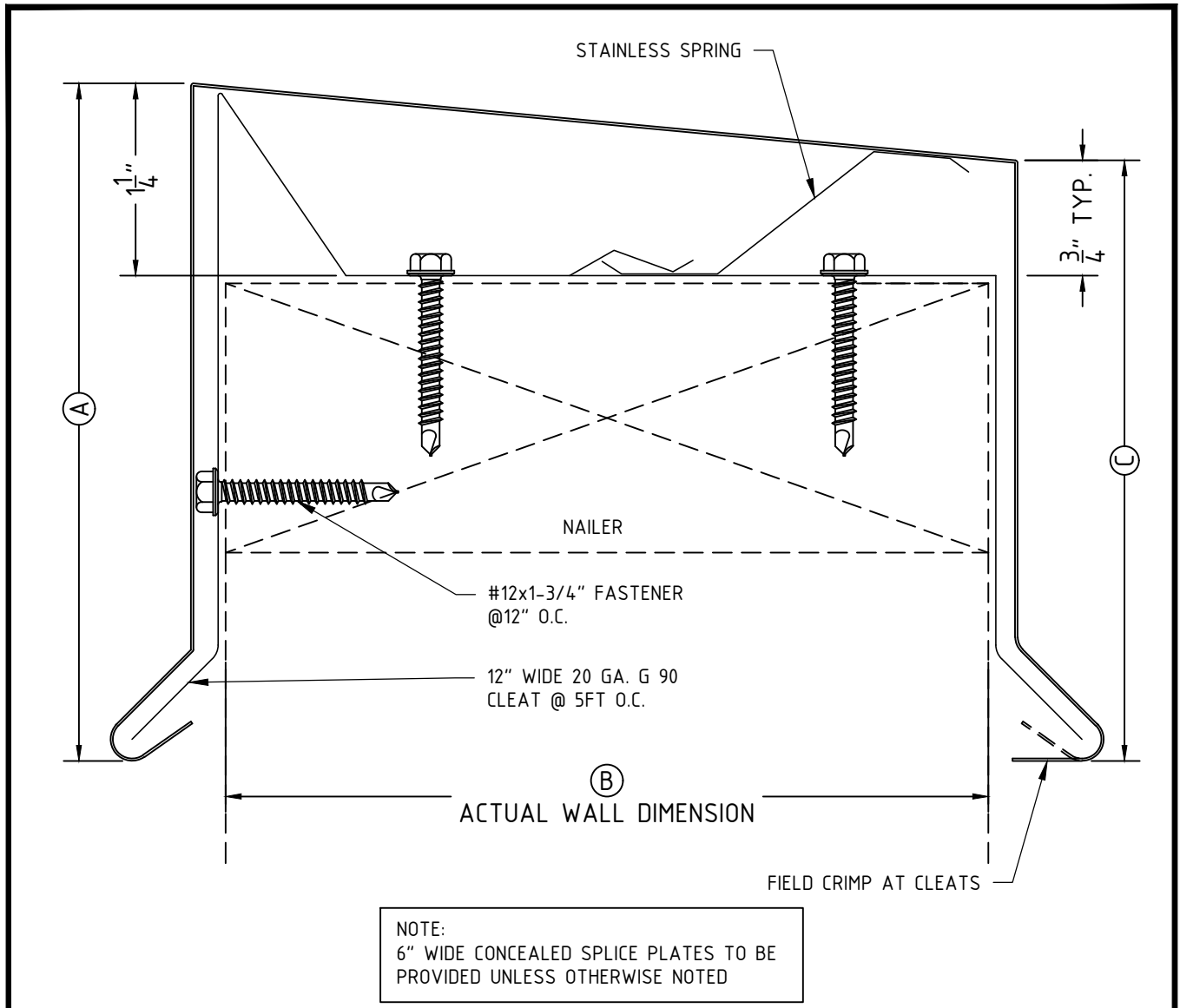
FABRICATION WILL PROCEED ONLY AFTER RECEIPT OF SIGNED DRAWING APPROVAL

**DRAWING APPROVAL**

ARCHITECT AND /OR CONTRACTOR SHALL VERIFY ALL DIMENSIONS, SIZES AND QUANTITIES. ALL PRODUCTS TO BE INSTALLED IN STRICT ACCORDANCE WITH FAIRFIELD METAL'S PRINTED INSTRUCTIONS.


APPROVED BY \_\_\_\_\_ DATE \_\_\_\_\_

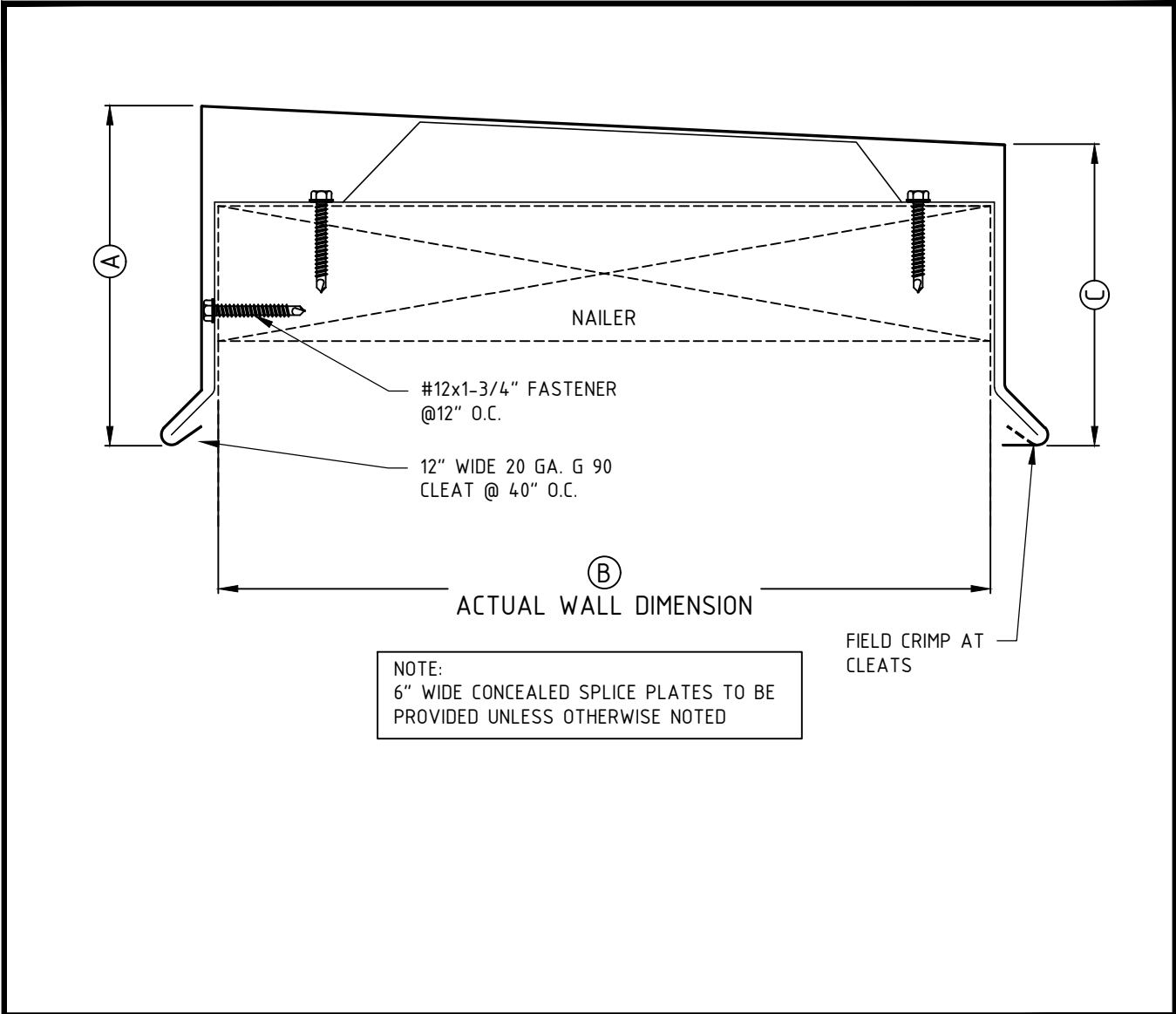
 <p><b>Fairfield Metal</b> 9 Audrey Place, Fairfield, NJ 07004 Phone: 973-276-8440 www.fairfieldmetal.com</p>	Drawing Title: <b>COPING</b> <b>MECHANICAL LOCK PITCHED</b>		Drawing No. <b>C-004</b>
	Drawn By: <b>MD</b>	Date: <b>02.01.2015</b>	



MATERIAL	FINISH	COLOR	DIMENSION	QUANTITIES
<input type="checkbox"/> 24 GA. GALV.	<input type="checkbox"/> KYNAR		A=	LINEAR FT
<input type="checkbox"/> .032 ALUMIN.	<input type="checkbox"/> MILL FINISH		B=	OUTSIDE MITERS DEG.
<input type="checkbox"/> .040 ALUMIN.	<input type="checkbox"/> ENAMEL		C=	INSIDE MITERS DEG.
<input type="checkbox"/> .050 ALUMIN.	<input type="checkbox"/> ANODIZED		D=	RIGHT END CAPS
<input type="checkbox"/> .063 ALUMIN.			ANGLE 1=	LEFT END CAPS
<input type="checkbox"/> OTHER			ANGLE 2=	

PROJECT:	FABRICATION WILL PROCEED ONLY AFTER RECEIPT OF SIGNED DRAWING APPROVAL <b>DRAWING APPROVAL</b> ARCHITECT AND /OR CONTRACTOR SHALL VERIFY ALL DIMENSIONS, SIZES AND QUANTITIES. ALL PRODUCTS TO BE INSTALLED IN STRICT ACCORDANCE WITH FAIRFIELD METAL'S PRINTED INSTRUCTIONS. APPROVED BY _____ DATE _____
ARCHITECT:	
ROOFING CONTRACTOR:	
REPRESENTATIVE:	

 <b>Fairfield Metal</b> 9 Audrey Place, Fairfield, NJ 07004 Phone: 973-276-8440 www.fairfieldmetal.com	Drawing Title: <b>COPING SNAP LOCK</b>	Drawing No. <b>C-005</b>
	Drawn By: <b>MD</b>	



MATERIAL	FINISH	COLOR	DIMENSION	QUANTITIES
<input type="checkbox"/> 24 GA. GALV.	<input type="checkbox"/> KYNAR		A=	LINEAR FT
<input type="checkbox"/> .032 ALUMIN.	<input type="checkbox"/> MILL FINISH		B=	OUTSIDE MITERS DEG.
<input type="checkbox"/> .040 ALUMIN.	<input type="checkbox"/> ENAMEL		C=	INSIDE MITERS DEG.
<input type="checkbox"/> .050 ALUMIN.	<input type="checkbox"/> ANODIZED		D=	RIGHT END CAPS
<input type="checkbox"/> .063 ALUMIN.			ANGLE 1=	LEFT END CAPS
<input type="checkbox"/> OTHER			ANGLE 2=	

PROJECT: \_\_\_\_\_

ARCHITECT: \_\_\_\_\_

ROOFING CONTRACTOR: \_\_\_\_\_

REPRESENTATIVE: \_\_\_\_\_

FABRICATION WILL PROCEED ONLY AFTER RECEIPT OF SIGNED DRAWING APPROVAL

**DRAWING APPROVAL**

ARCHITECT AND /OR CONTRACTOR SHALL VERIFY ALL DIMENSIONS, SIZES AND QUANTITIES. ALL PRODUCTS TO BE INSTALLED IN STRICT ACCORDANCE WITH FAIRFIELD METAL'S PRINTED INSTRUCTIONS.

APPROVED BY \_\_\_\_\_ DATE \_\_\_\_\_

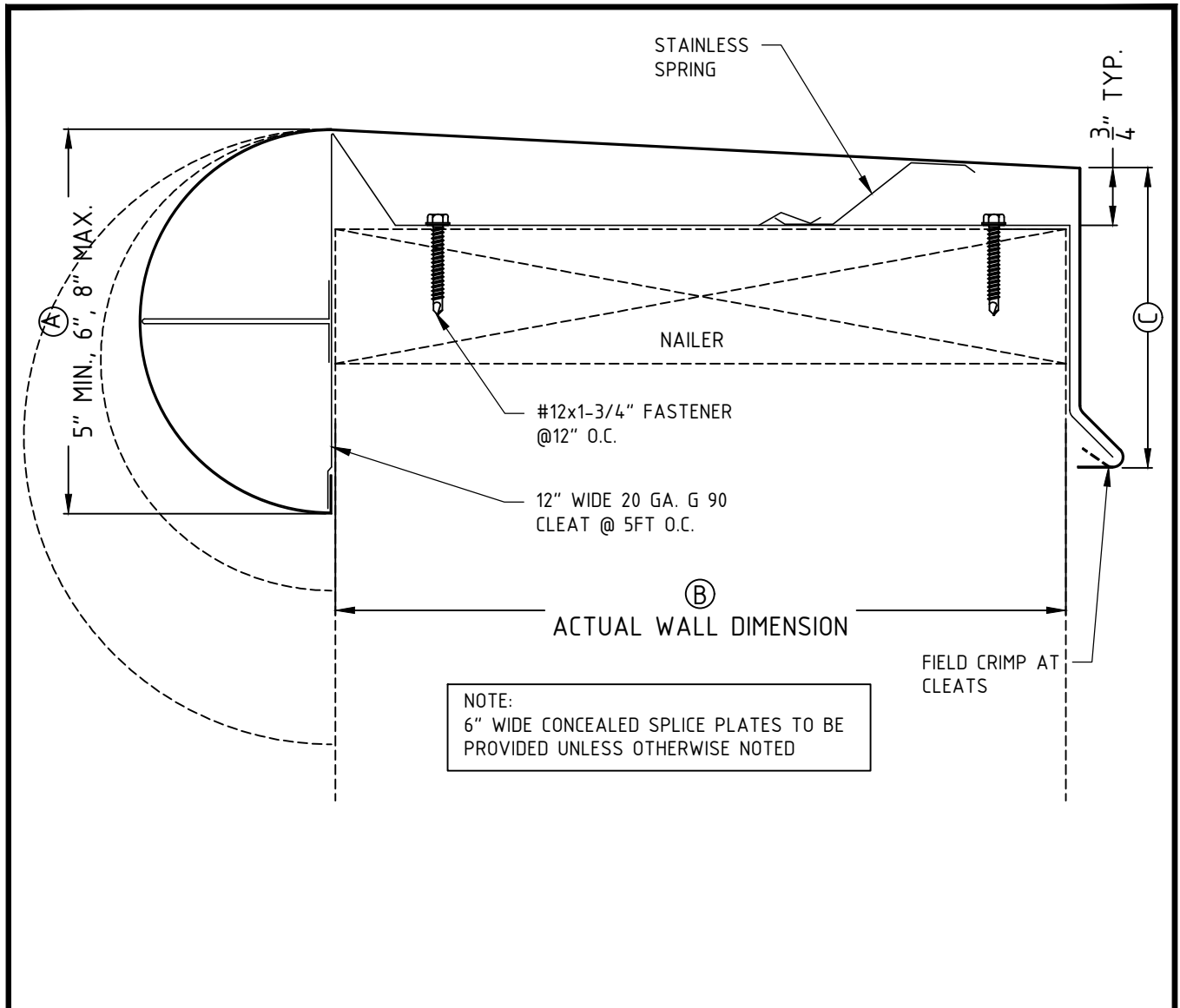


**Fairfield Metal**  
 9 Audrey Place, Fairfield, NJ 07004  
 Phone: 973-276-8440  
 www.fairfieldmetal.com

Drawing Title: **COPING  
SNAP LOCK WIDE**

Drawn By: **MD** Date: **02.01.2015**

Drawing No. **C-006**



NOTE:  
6" WIDE CONCEALED SPLICE PLATES TO BE PROVIDED UNLESS OTHERWISE NOTED

MATERIAL	FINISH	COLOR	DIMENSION	QUANTITIES
<input type="checkbox"/> 24 GA. GALV.	<input type="checkbox"/> KYNAR		A=	LINEAR FT
<input type="checkbox"/> .032 ALUMIN.	<input type="checkbox"/> MILL FINISH		B=	OUTSIDE MITERS DEG.
<input type="checkbox"/> .040 ALUMIN.	<input type="checkbox"/> ENAMEL		C=	INSIDE MITERS DEG.
<input type="checkbox"/> .050 ALUMIN.	<input type="checkbox"/> ANODIZED		D=	RIGHT END CAPS
<input type="checkbox"/> .063 ALUMIN.			ANGLE 1=	LEFT END CAPS
<input type="checkbox"/> OTHER			ANGLE 2=	

PROJECT:

ARCHITECT:

ROOFING CONTRACTOR:


REPRESENTATIVE:

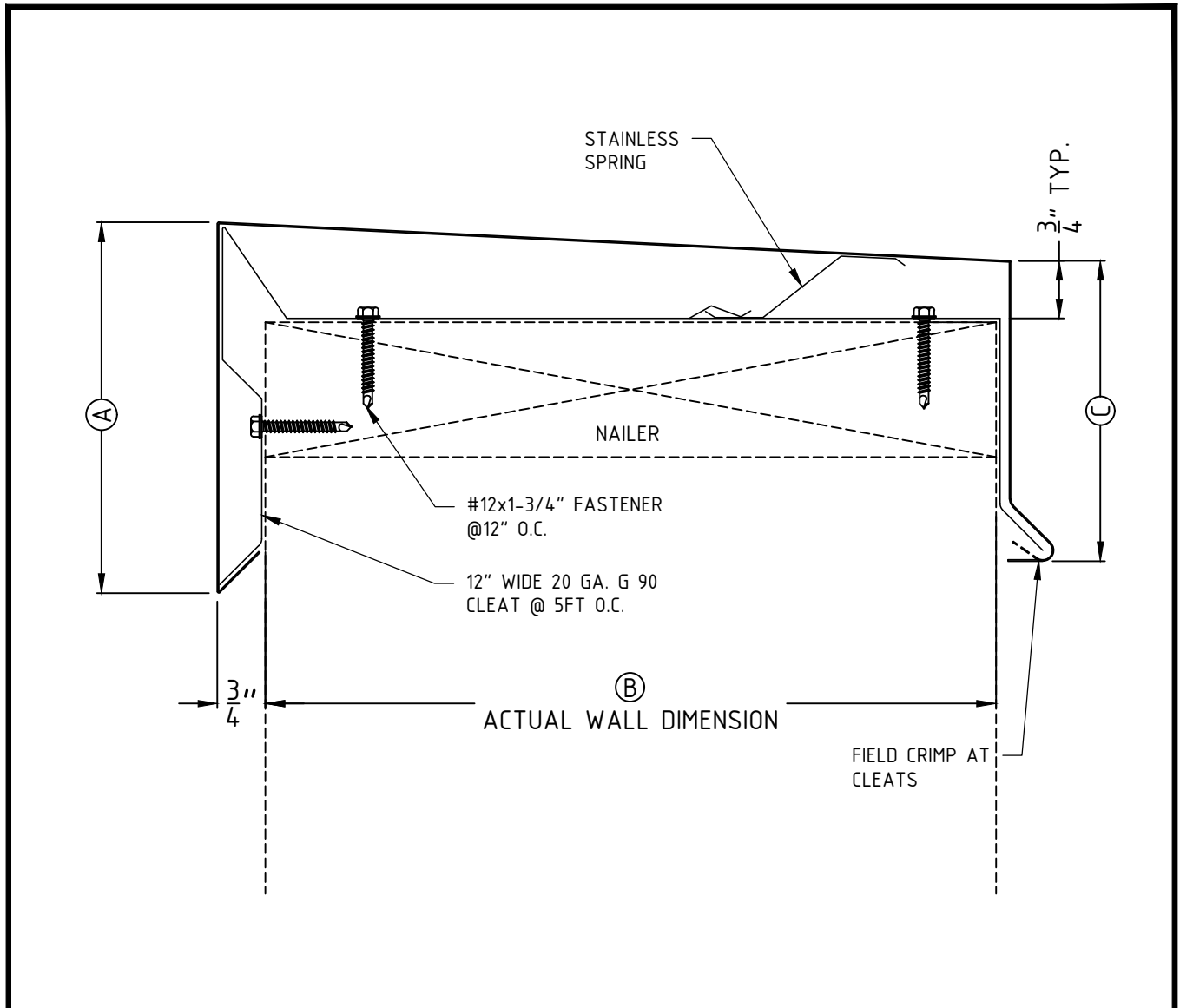
FABRICATION WILL PROCEED ONLY AFTER RECEIPT OF SIGNED DRAWING APPROVAL

**DRAWING APPROVAL**

ARCHITECT AND /OR CONTRACTOR SHALL VERIFY ALL DIMENSIONS, SIZES AND QUANTITIES. ALL PRODUCTS TO BE INSTALLED IN STRICT ACCORDANCE WITH FAIRFIELD METAL'S PRINTED INSTRUCTIONS.

APPROVED BY \_\_\_\_\_ DATE \_\_\_\_\_

 <p><b>Fairfield Metal</b> 9 Audrey Place, Fairfield, NJ 07004 Phone: 973-276-8440 www.fairfieldmetal.com</p>	Drawing Title: <b>COPING BULLNOSE</b>	Drawing No. <b>C-007</b>
	Drawn By: <b>MD</b>	



MATERIAL	FINISH	COLOR	DIMENSION	QUANTITIES
<input type="checkbox"/> 24 GA. GALV.	<input type="checkbox"/> KYNAR		A=	LINEAR FT
<input type="checkbox"/> .032 ALUMIN.	<input type="checkbox"/> MILL FINISH		B=	OUTSIDE MITERS DEG.
<input type="checkbox"/> .040 ALUMIN.	<input type="checkbox"/> ENAMEL		C=	INSIDE MITERS DEG.
<input type="checkbox"/> .050 ALUMIN.	<input type="checkbox"/> ANODIZED		D=	RIGHT END CAPS
<input type="checkbox"/> .063 ALUMIN.			ANGLE 1=	LEFT END CAPS
<input type="checkbox"/> OTHER			ANGLE 2=	

PROJECT:

ARCHITECT:

ROOFING CONTRACTOR:

REPRESENTATIVE:

FABRICATION WILL PROCEED ONLY AFTER RECEIPT OF SIGNED DRAWING APPROVAL

**DRAWING APPROVAL**

ARCHITECT AND /OR CONTRACTOR SHALL VERIFY ALL DIMENSIONS, SIZES AND QUANTITIES. ALL PRODUCTS TO BE INSTALLED IN STRICT ACCORDANCE WITH FAIRFIELD METAL'S PRINTED INSTRUCTIONS.

APPROVED BY \_\_\_\_\_ DATE \_\_\_\_\_



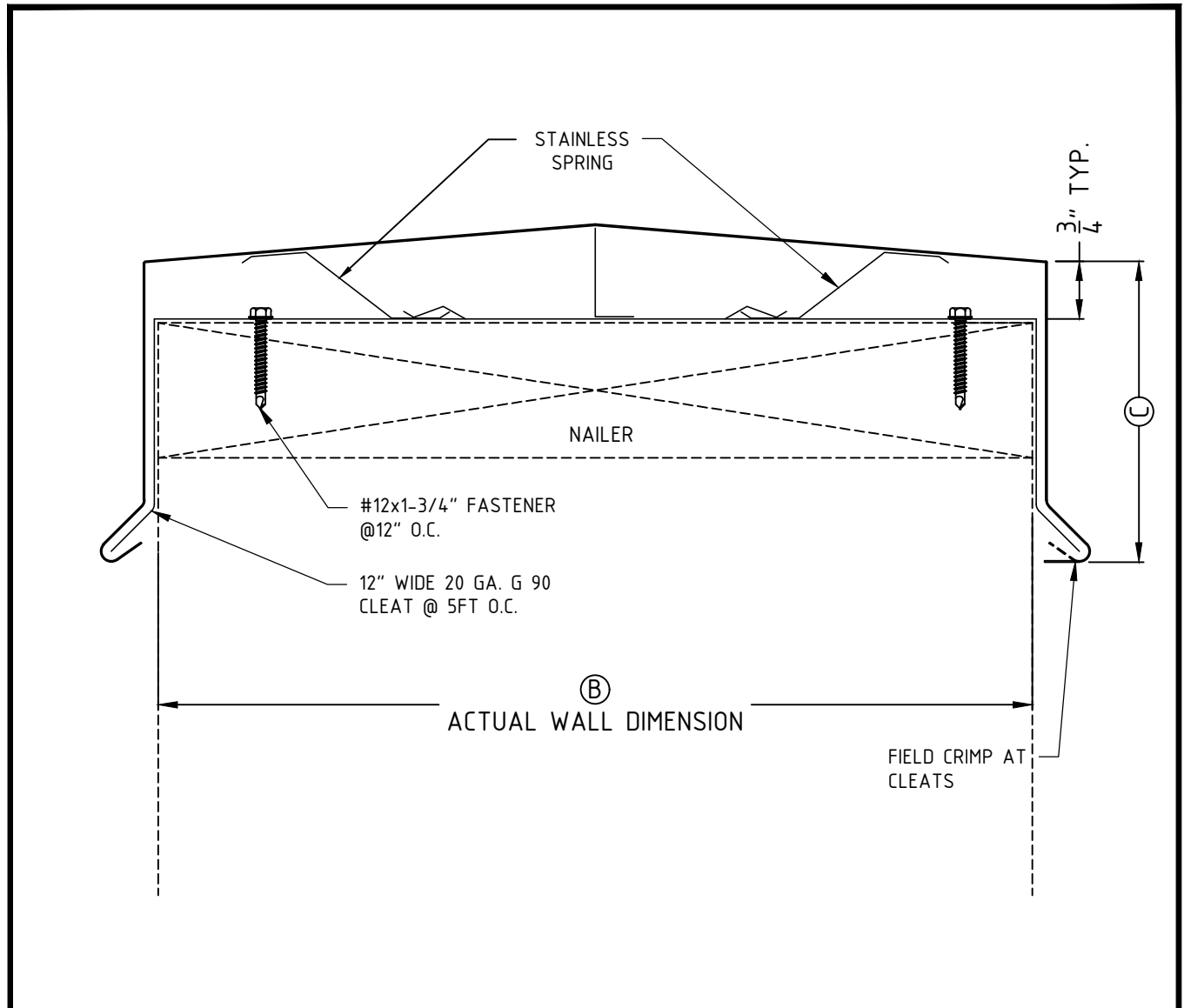
**Fairfield Metal**  
 9 Audrey Place, Fairfield, NJ 07004  
 Phone: 973-276-8440  
 www.fairfieldmetal.com

Drawing Title: **COPING SHADOW LINE**

Drawn By: **MD** Date: **02.01.2015**

Drawing No. **C-008**





MATERIAL	FINISH	COLOR	DIMENSION	QUANTITIES
<input type="checkbox"/> 24 GA. GALV.	<input type="checkbox"/> KYNAR		A=	LINEAR FT
<input type="checkbox"/> .032 ALUMIN.	<input type="checkbox"/> MILL FINISH		B=	OUTSIDE MITERS DEG.
<input type="checkbox"/> .040 ALUMIN.	<input type="checkbox"/> ENAMEL		C=	INSIDE MITERS DEG.
<input type="checkbox"/> .050 ALUMIN.	<input type="checkbox"/> ANODIZED		D=	RIGHT END CAPS
<input type="checkbox"/> .063 ALUMIN.			ANGLE 1=	LEFT END CAPS
<input type="checkbox"/> OTHER			ANGLE 2=	

PROJECT: \_\_\_\_\_

ARCHITECT: \_\_\_\_\_

ROOFING CONTRACTOR: \_\_\_\_\_


REPRESENTATIVE: \_\_\_\_\_

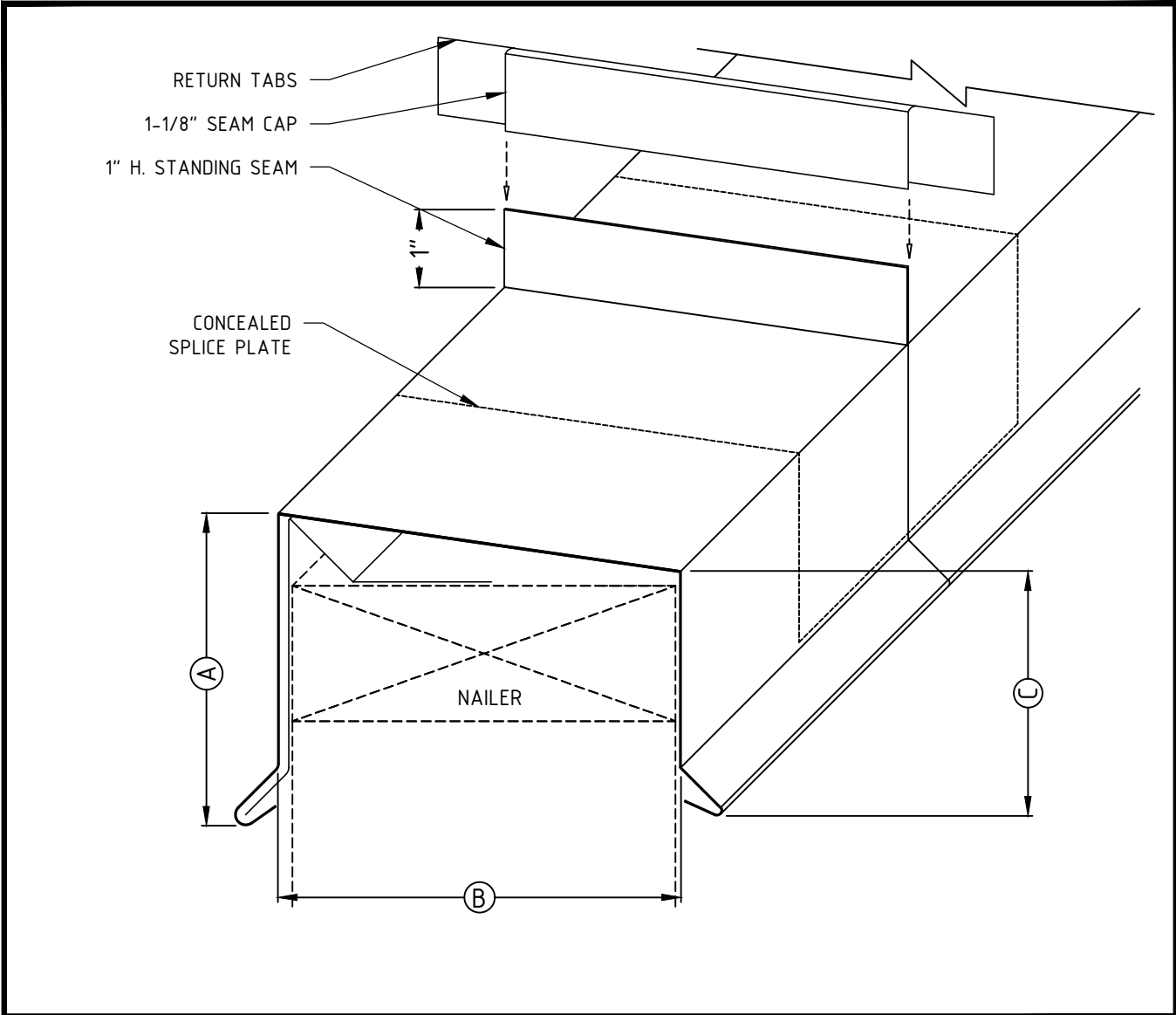
FABRICATION WILL PROCEED ONLY AFTER RECEIPT OF SIGNED DRAWING APPROVAL

**DRAWING APPROVAL**

ARCHITECT AND /OR CONTRACTOR SHALL VERIFY ALL DIMENSIONS, SIZES AND QUANTITIES. ALL PRODUCTS TO BE INSTALLED IN STRICT ACCORDANCE WITH FAIRFIELD METAL'S PRINTED INSTRUCTIONS.

APPROVED BY \_\_\_\_\_ DATE \_\_\_\_\_

 <p><b>Fairfield Metal</b> 9 Audrey Place, Fairfield, NJ 07004 Phone: 973-276-8440 www.fairfieldmetal.com</p>	Drawing Title: <b>COPING HIP WITH SPRINGS</b>		Drawing No. <b>C-009</b>
	Drawn By: <b>MD</b>	Date: <b>02.01.2015</b>	



MATERIAL	FINISH	COLOR	DIMENSION	QUANTITIES
<input type="checkbox"/> 24 GA. GALV.	<input type="checkbox"/> KYNAR		A=	LINEAR FT
<input type="checkbox"/> .032 ALUMIN.	<input type="checkbox"/> MILL FINISH		B=	OUTSIDE MITERS DEG.
<input type="checkbox"/> .040 ALUMIN.	<input type="checkbox"/> ENAMEL		C=	INSIDE MITERS DEG.
<input type="checkbox"/> .050 ALUMIN.	<input type="checkbox"/> ANODIZED		D=	RIGHT END CAPS
<input type="checkbox"/> .063 ALUMIN.			ANGLE 1=	LEFT END CAPS
<input type="checkbox"/> OTHER			ANGLE 2=	

PROJECT: \_\_\_\_\_

ARCHITECT: \_\_\_\_\_

ROOFING CONTRACTOR: \_\_\_\_\_

REPRESENTATIVE: \_\_\_\_\_

FABRICATION WILL PROCEED ONLY AFTER RECEIPT OF SIGNED DRAWING APPROVAL

**DRAWING APPROVAL**

ARCHITECT AND /OR CONTRACTOR SHALL VERIFY ALL DIMENSIONS, SIZES AND QUANTITIES. ALL PRODUCTS TO BE INSTALLED IN STRICT ACCORDANCE WITH FAIRFIELD METAL'S PRINTED INSTRUCTIONS.

APPROVED BY \_\_\_\_\_ DATE \_\_\_\_\_

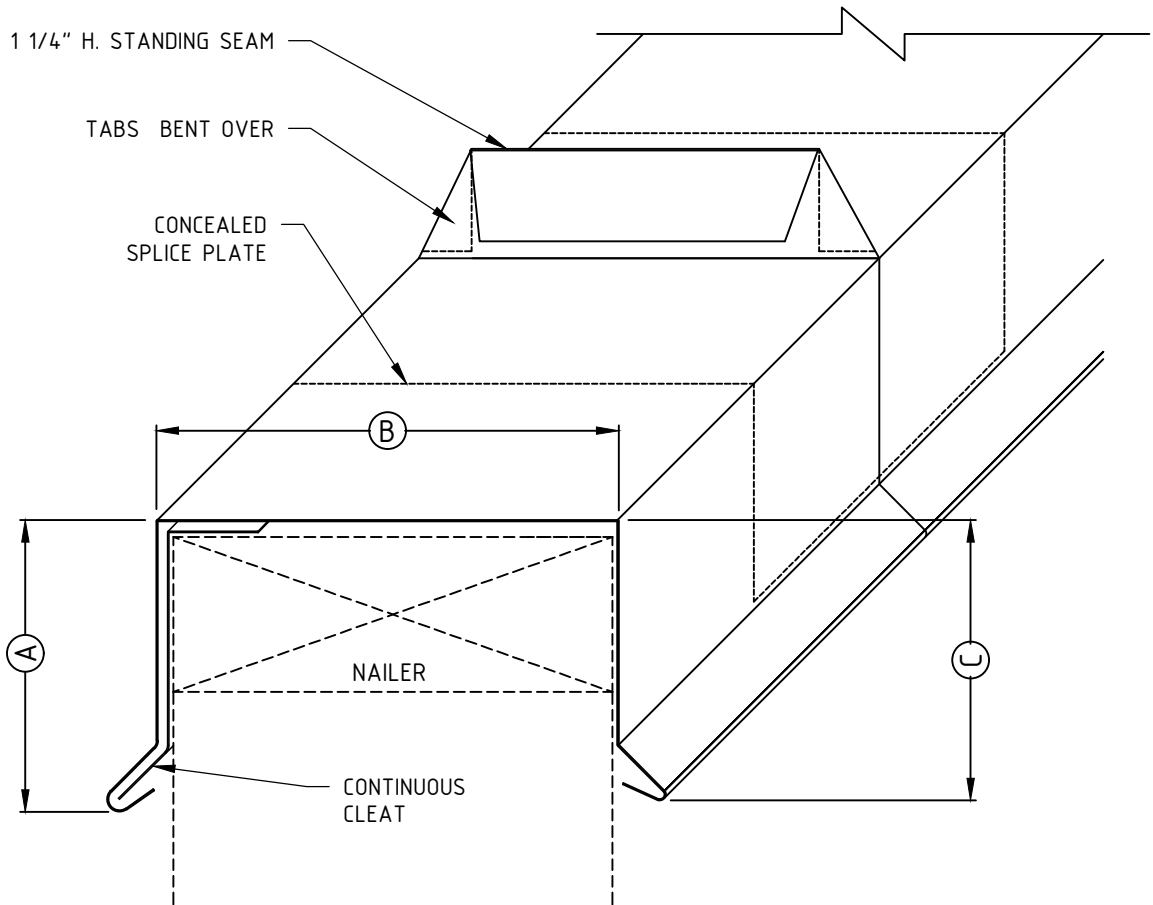


**Fairfield Metal**  
 9 Audrey Place, Fairfield, NJ 07004  
 Phone: 973-276-8440  
 www.fairfieldmetal.com

Drawing Title: **COPING  
STANDING SEAM CAP**

Drawn By: **MD** Date: **02.17.2015**

Drawing No. **C-010**



MATERIAL	FINISH	COLOR	DIMENSION	QUANTITIES
<input type="checkbox"/> 24 GA. GALV.	<input type="checkbox"/> KYNAR		A=	LINEAR FT
<input type="checkbox"/> .032 ALUMIN.	<input type="checkbox"/> MILL FINISH		B=	OUTSIDE MITERS DEG.
<input type="checkbox"/> .040 ALUMIN.	<input type="checkbox"/> ENAMEL		C=	INSIDE MITERS DEG.
<input type="checkbox"/> .050 ALUMIN.	<input type="checkbox"/> ANODIZED		D=	RIGHT END CAPS
<input type="checkbox"/> .063 ALUMIN.			ANGLE 1=	LEFT END CAPS
<input type="checkbox"/> OTHER			ANGLE 2=	

PROJECT: \_\_\_\_\_

ARCHITECT: \_\_\_\_\_

ROOFING CONTRACTOR: \_\_\_\_\_


REPRESENTATIVE: \_\_\_\_\_

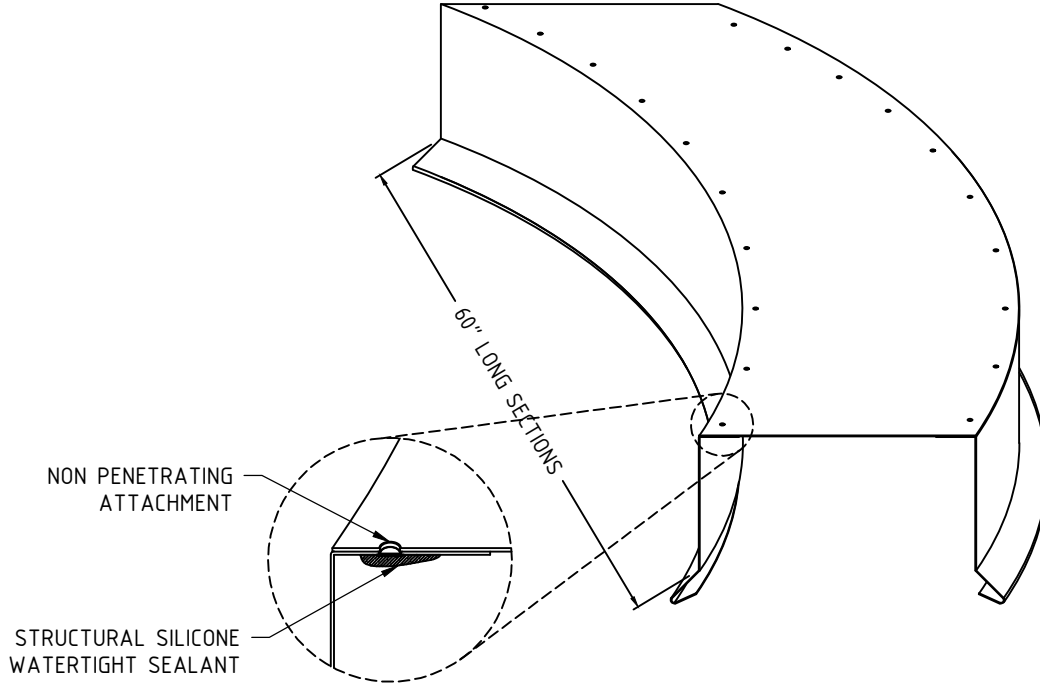
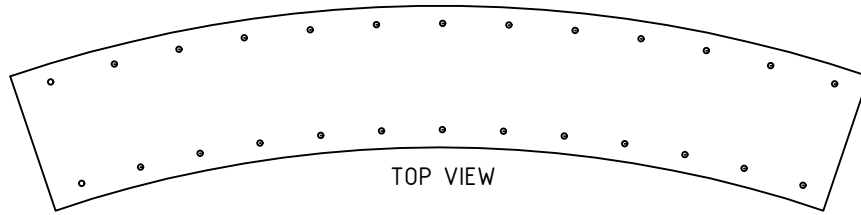
FABRICATION WILL PROCEED ONLY AFTER RECEIPT OF SIGNED DRAWING APPROVAL

**DRAWING APPROVAL**

ARCHITECT AND /OR CONTRACTOR SHALL VERIFY ALL DIMENSIONS, SIZES AND QUANTITIES. ALL PRODUCTS TO BE INSTALLED IN STRICT ACCORDANCE WITH FAIRFIELD METAL'S PRINTED INSTRUCTIONS.

APPROVED BY \_\_\_\_\_ DATE \_\_\_\_\_

 <p><b>Fairfield Metal</b> 9 Audrey Place, Fairfield, NJ 07004 Phone: 973-276-8440 www.fairfieldmetal.com</p>	Drawing Title: <b>COPING MECHANICAL STANDING SEAM</b>		Drawing No. <b>C-011</b>
	Drawn By: <b>MD</b>	Date: <b>02.17.2015</b>	



TOG-L-LOC ATTACHMENT:

- NO RIVETS SCREWS OR OTHER PENETRATING FASTENERS
- STRONG AND FATIGUE RESISTANT
- LEAK PROOF
- NO POST FINISHING

MATERIAL	FINISH	COLOR	DIMENSION	QUANTITIES
<input type="checkbox"/> 24 GA. GALV.	<input type="checkbox"/> KYNAR		A=	LINEAR FT
<input type="checkbox"/> .032 ALUMIN.	<input type="checkbox"/> MILL FINISH		B=	OUTSIDE MITERS DEG.
<input type="checkbox"/> .040 ALUMIN.	<input type="checkbox"/> ENAMEL		C=	INSIDE MITERS DEG.
<input type="checkbox"/> .050 ALUMIN.	<input type="checkbox"/> ANODIZED		D=	RIGHT END CAPS
<input type="checkbox"/> .063 ALUMIN.			RADIUS=	LEFT END CAPS
<input type="checkbox"/> OTHER				

PROJECT: \_\_\_\_\_

ARCHITECT: \_\_\_\_\_

ROOFING CONTRACTOR: \_\_\_\_\_


REPRESENTATIVE: \_\_\_\_\_

FABRICATION WILL PROCEED ONLY AFTER RECEIPT OF SIGNED DRAWING APPROVAL

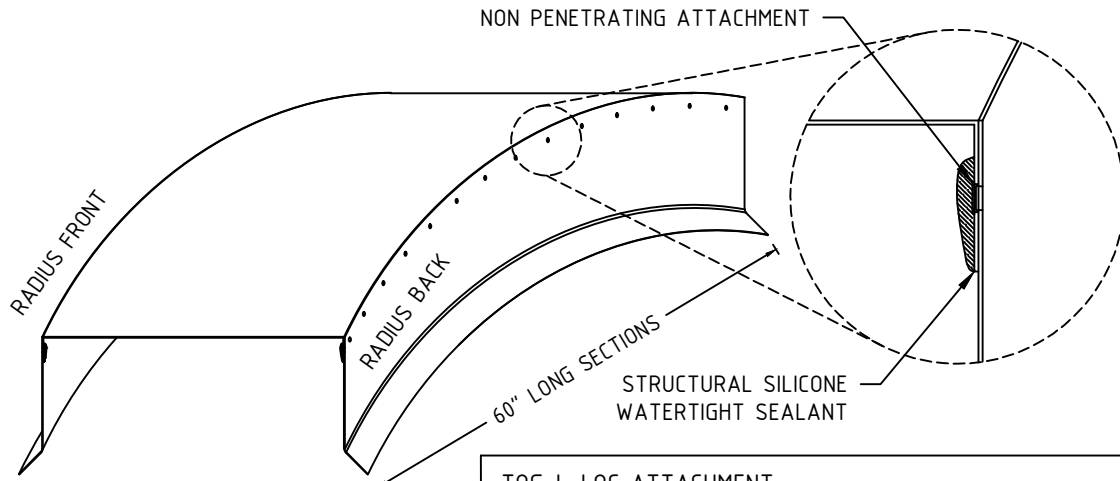
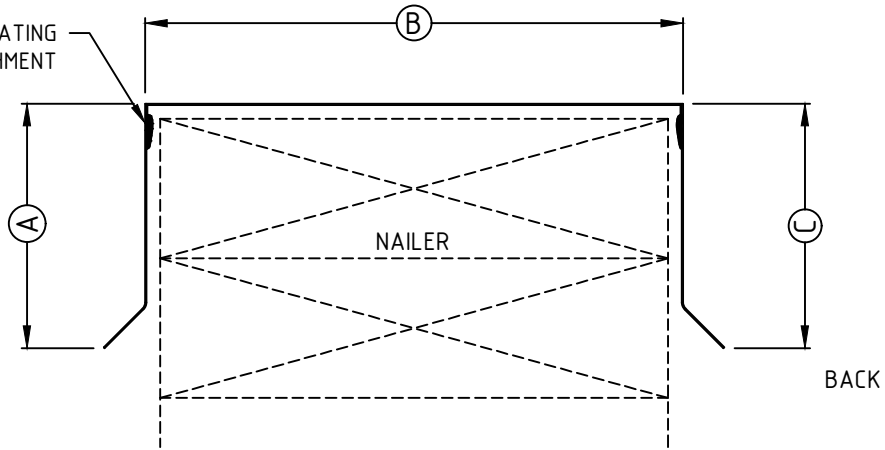
**DRAWING APPROVAL**

ARCHITECT AND /OR CONTRACTOR SHALL VERIFY ALL DIMENSIONS, SIZES AND QUANTITIES. ALL PRODUCTS TO BE INSTALLED IN STRICT ACCORDANCE WITH FAIRFIELD METAL'S PRINTED INSTRUCTIONS.

APPROVED BY \_\_\_\_\_ DATE \_\_\_\_\_

 <p><b>Fairfield Metal</b> 9 Audrey Place, Fairfield, NJ 07004 Phone: 973-276-8440 www.fairfieldmetal.com</p>	<p>Drawing Title: <b>RADIUS COPING TOG-L-LOC</b></p>	<p>Drawing No. <b>C-012</b></p>
	<p>Drawn By: <b>MD</b>      Date: <b>02.17.2015</b></p>	

NON PENETRATING ATTACHMENT



- TOG-L-LOC ATTACHMENT:**
- NO RIVETS SCREWS OR OTHER PENETRATING FASTENERS
  - STRONG AND FATIGUE RESISTANT
  - LEAK PROOF
  - NO POST FINISHING

MATERIAL	FINISH	COLOR	DIMENSION	QUANTITIES
<input type="checkbox"/> 24 GA. GALV.	<input type="checkbox"/> KYNAR		A=	LINEAR FT
<input type="checkbox"/> .032 ALUMIN.	<input type="checkbox"/> MILL FINISH		B=	OUTSIDE MITERS DEG.
<input type="checkbox"/> .040 ALUMIN.	<input type="checkbox"/> ENAMEL		C=	INSIDE MITERS DEG.
<input type="checkbox"/> .050 ALUMIN.	<input type="checkbox"/> ANODIZED		D=	RIGHT END CAPS
<input type="checkbox"/> .063 ALUMIN.			RADIUS=	LEFT END CAPS
<input type="checkbox"/> OTHER				

PROJECT: \_\_\_\_\_

ARCHITECT: \_\_\_\_\_

ROOFING CONTRACTOR: \_\_\_\_\_


REPRESENTATIVE: \_\_\_\_\_

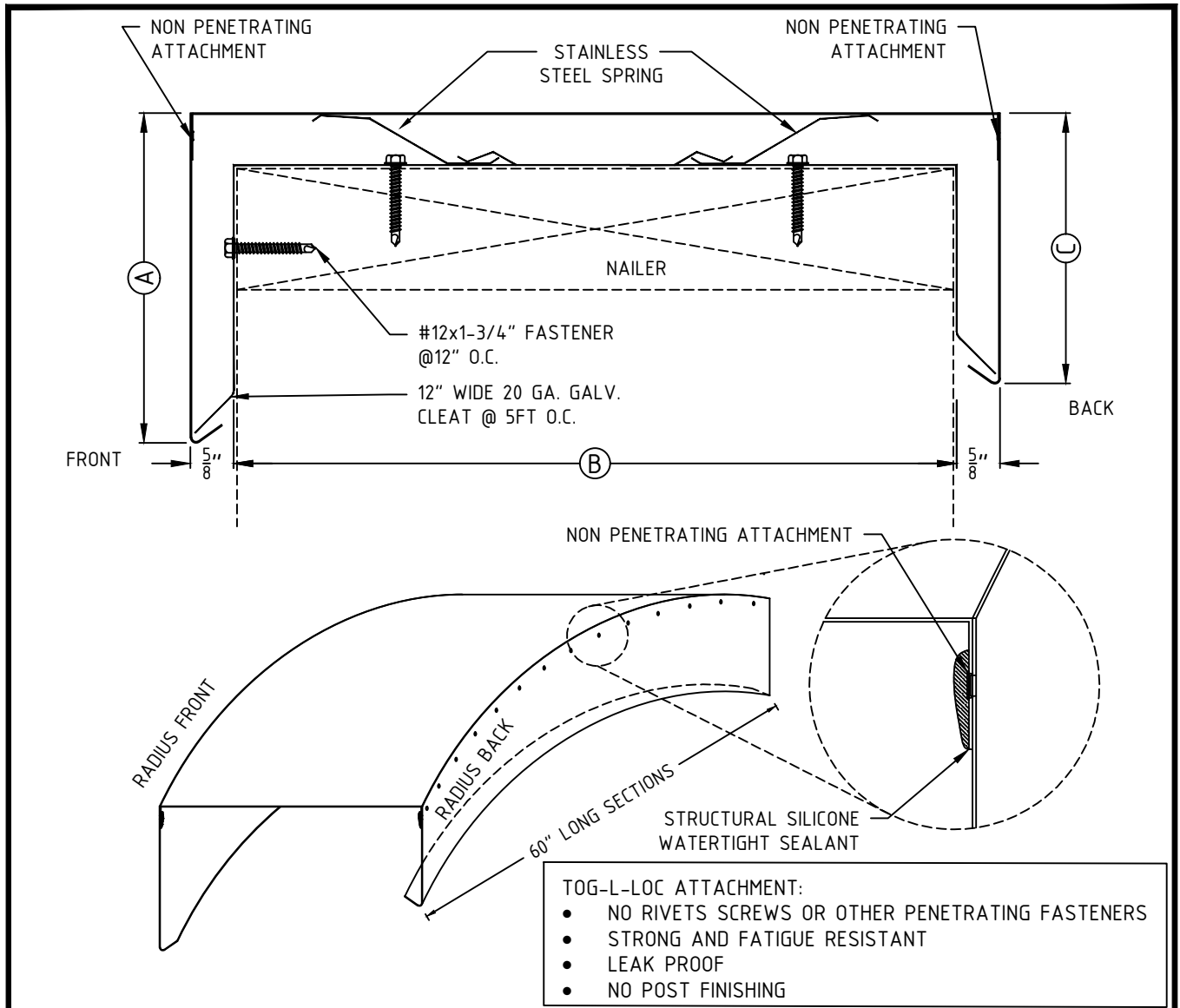
FABRICATION WILL PROCEED ONLY AFTER RECEIPT OF SIGNED DRAWING APPROVAL

**DRAWING APPROVAL**

ARCHITECT AND /OR CONTRACTOR SHALL VERIFY ALL DIMENSIONS, SIZES AND QUANTITIES. ALL PRODUCTS TO BE INSTALLED IN STRICT ACCORDANCE WITH FAIRFIELD METAL'S PRINTED INSTRUCTIONS.

APPROVED BY \_\_\_\_\_ DATE \_\_\_\_\_

 <p><b>Fairfield Metal</b> 9 Audrey Place, Fairfield, NJ 07004 Phone: 973-276-8440 www.fairfieldmetal.com</p>	Drawing Title: <b>ARCHED COPING TOG-L-LOC</b>	Drawing No. <b>C-013</b>
	Drawn By: <b>MD</b>	



- TOG-L-LOC ATTACHMENT:**
- NO RIVETS SCREWS OR OTHER PENETRATING FASTENERS
  - STRONG AND FATIGUE RESISTANT
  - LEAK PROOF
  - NO POST FINISHING

MATERIAL	FINISH	COLOR	DIMENSION	QUANTITIES
<input type="checkbox"/> 24 GA. GALV.	<input type="checkbox"/> KYNAR		A=	LINEAR FT
<input type="checkbox"/> .032 ALUMIN.	<input type="checkbox"/> MILL FINISH		B=	OUTSIDE MITERS DEG.
<input type="checkbox"/> .040 ALUMIN.	<input type="checkbox"/> ENAMEL		C=	INSIDE MITERS DEG.
<input type="checkbox"/> .050 ALUMIN.	<input type="checkbox"/> ANODIZED		D=	RIGHT END CAPS
<input type="checkbox"/> .063 ALUMIN.			RADIUS=	LEFT END CAPS
<input type="checkbox"/> OTHER				

PROJECT: \_\_\_\_\_

ARCHITECT: \_\_\_\_\_

ROOFING CONTRACTOR: \_\_\_\_\_

REPRESENTATIVE: \_\_\_\_\_

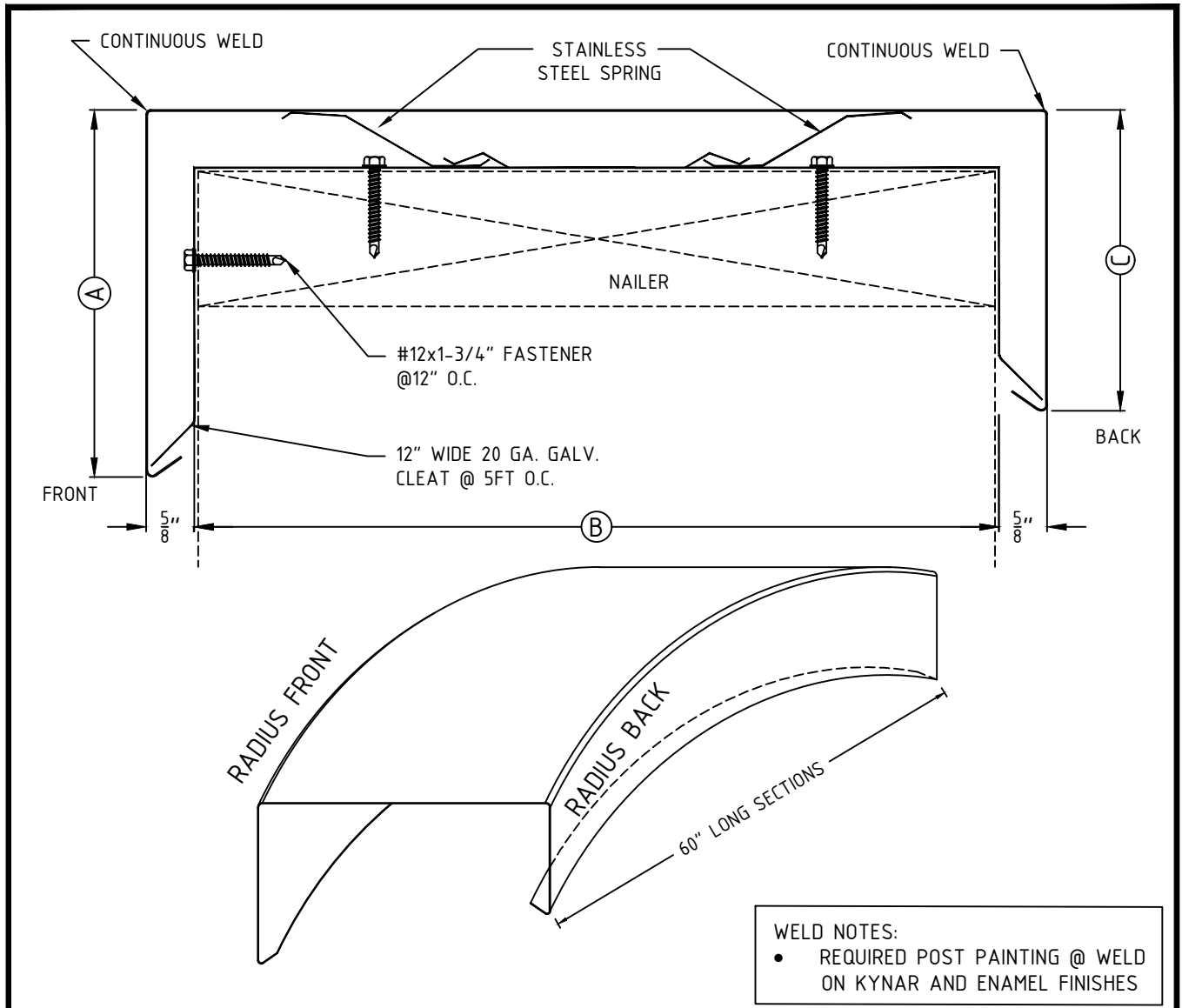
FABRICATION WILL PROCEED ONLY AFTER RECEIPT OF SIGNED DRAWING APPROVAL

**DRAWING APPROVAL**

ARCHITECT AND /OR CONTRACTOR SHALL VERIFY ALL DIMENSIONS, SIZES AND QUANTITIES. ALL PRODUCTS TO BE INSTALLED IN STRICT ACCORDANCE WITH FAIRFIELD METAL'S PRINTED INSTRUCTIONS.

APPROVED BY \_\_\_\_\_ DATE \_\_\_\_\_

 <p><b>Fairfield Metal</b> 9 Audrey Place, Fairfield, NJ 07004 Phone: 973-276-8440 www.fairfieldmetal.com</p>	Drawing Title: <b>ARCHED COPING W/ SPRINGS TOG-L-LOC</b>		Drawing No. <b>C-014</b>
	Drawn By: <b>MD</b>	Date: <b>02.17.2015</b>	



WELD NOTES:  
 • REQUIRED POST PAINTING @ WELD ON KYNAR AND ENAMEL FINISHES

MATERIAL	FINISH	COLOR	DIMENSION	QUANTITIES
<input type="checkbox"/> 24 GA. GALV.	<input type="checkbox"/> KYNAR		A=	LINEAR FT
<input type="checkbox"/> .032 ALUMIN.	<input type="checkbox"/> MILL FINISH		B=	OUTSIDE MITERS DEG.
<input type="checkbox"/> .040 ALUMIN.	<input type="checkbox"/> ENAMEL		C=	INSIDE MITERS DEG.
<input type="checkbox"/> .050 ALUMIN.	<input type="checkbox"/> ANODIZED		D=	RIGHT END CAPS
<input type="checkbox"/> .063 ALUMIN.			RADIUS=	LEFT END CAPS
<input type="checkbox"/> OTHER				

PROJECT: \_\_\_\_\_

ARCHITECT: \_\_\_\_\_

ROOFING CONTRACTOR: \_\_\_\_\_


REPRESENTATIVE: \_\_\_\_\_

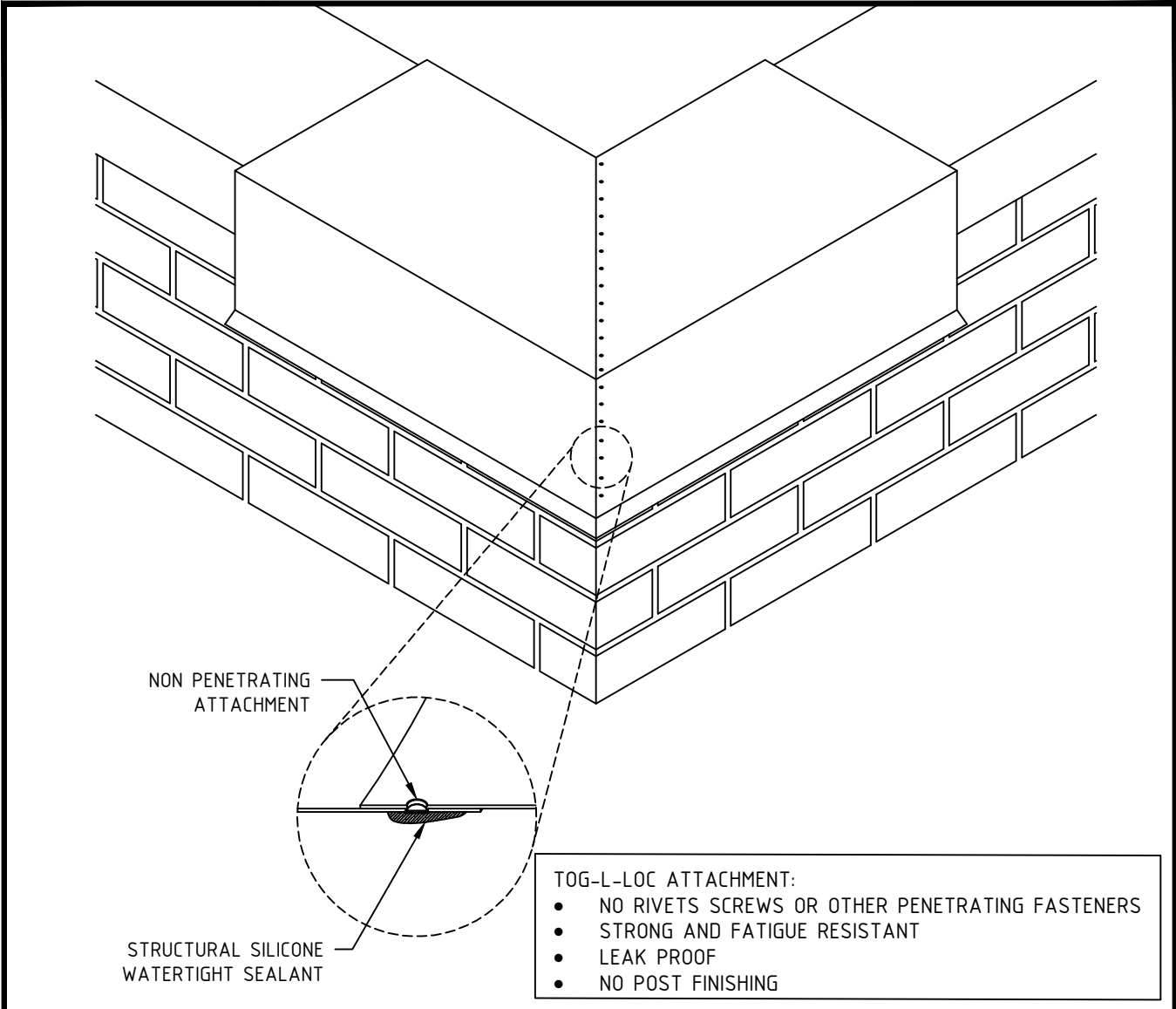
FABRICATION WILL PROCEED ONLY AFTER RECEIPT OF SIGNED DRAWING APPROVAL

**DRAWING APPROVAL**

ARCHITECT AND /OR CONTRACTOR SHALL VERIFY ALL DIMENSIONS, SIZES AND QUANTITIES. ALL PRODUCTS TO BE INSTALLED IN STRICT ACCORDANCE WITH FAIRFIELD METAL'S PRINTED INSTRUCTIONS.

APPROVED BY \_\_\_\_\_ DATE \_\_\_\_\_

 <p><b>Fairfield Metal</b>          9 Audrey Place, Fairfield, NJ 07004          Phone: 973-276-8440          www.fairfieldmetal.com</p>	Drawing Title: <b>ARCHED COPING W/SPRINGS          WELDED</b>	Drawing No. <b>C-015</b>
	Drawn By: <b>MD</b>	Date: <b>02.17.2015</b>



MATERIAL	FINISH	COLOR	DIMENSION	QUANTITIES
<input type="checkbox"/> 24 GA. GALV.	<input type="checkbox"/> KYNAR		A=	LINEAR FT
<input type="checkbox"/> .032 ALUMIN.	<input type="checkbox"/> MILL FINISH		B=	OUTSIDE MITERS DEG.
<input type="checkbox"/> .040 ALUMIN.	<input type="checkbox"/> ENAMEL		C=	INSIDE MITERS DEG.
<input type="checkbox"/> .050 ALUMIN.	<input type="checkbox"/> ANODIZED		D=	RIGHT END CAPS
<input type="checkbox"/> .063 ALUMIN.			RADIUS=	LEFT END CAPS
<input type="checkbox"/> OTHER				

PROJECT: \_\_\_\_\_

ARCHITECT: \_\_\_\_\_

ROOFING CONTRACTOR: \_\_\_\_\_


REPRESENTATIVE: \_\_\_\_\_

FABRICATION WILL PROCEED ONLY AFTER RECEIPT OF SIGNED DRAWING APPROVAL

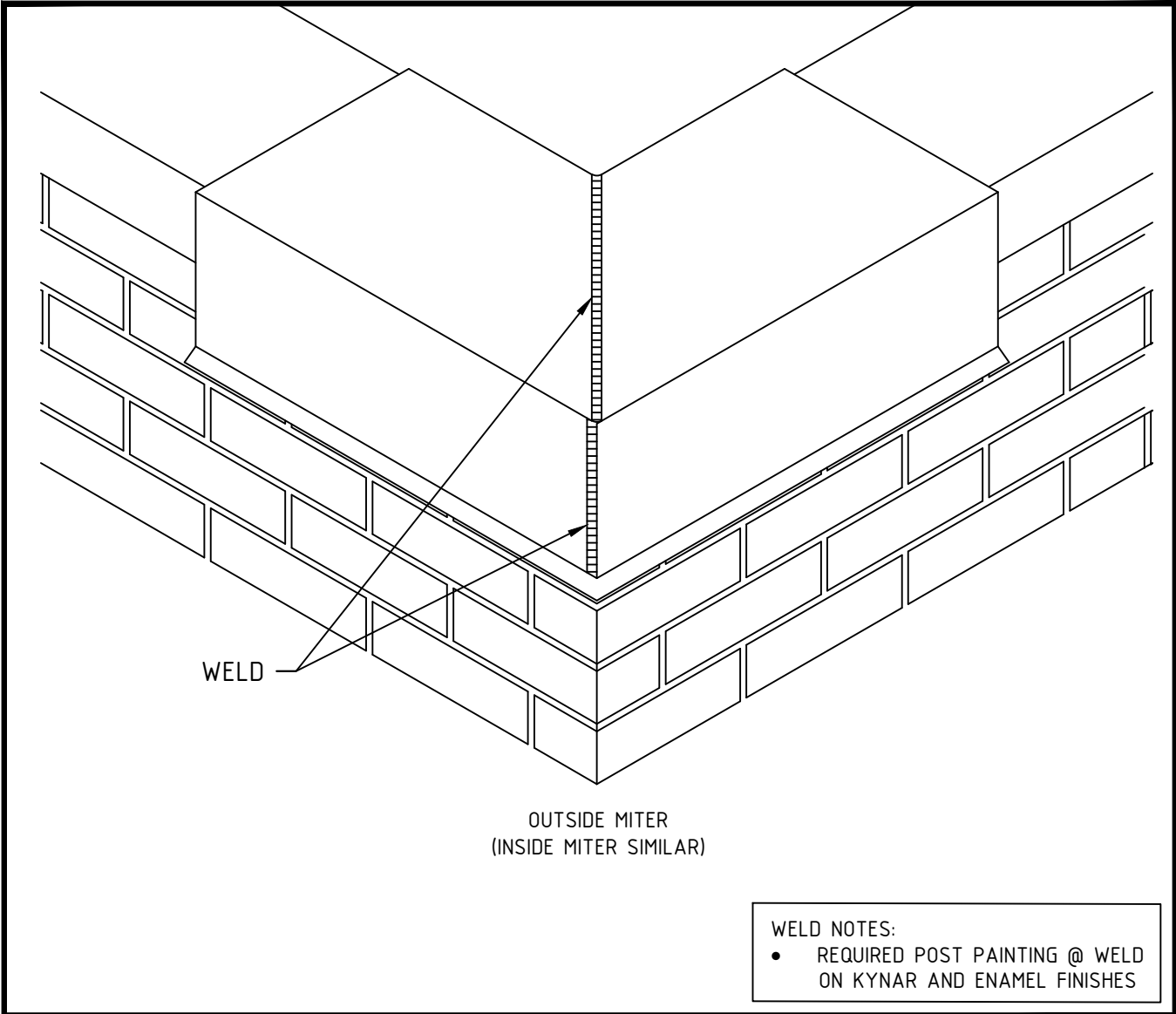
**DRAWING APPROVAL**

ARCHITECT AND /OR CONTRACTOR SHALL VERIFY ALL DIMENSIONS, SIZES AND QUANTITIES. ALL PRODUCTS TO BE INSTALLED IN STRICT ACCORDANCE WITH FAIRFIELD METAL'S PRINTED INSTRUCTIONS.

APPROVED BY \_\_\_\_\_ DATE \_\_\_\_\_

 <p><b>Fairfield Metal</b> 9 Audrey Place, Fairfield, NJ 07004 Phone: 973-276-8440 www.fairfieldmetal.com</p>	Drawing Title: <b>COPING MITER TOG-L-LOC</b>	Drawing No. <b>C-016</b>
	Drawn By: <b>MD</b>	





MATERIAL	FINISH	COLOR	DIMENSION	QUANTITIES
<input type="checkbox"/> 24 GA. GALV.	<input type="checkbox"/> KYNAR		A=	LINEAR FT
<input type="checkbox"/> .032 ALUMIN.	<input type="checkbox"/> MILL FINISH		B=	OUTSIDE MITERS DEG.
<input type="checkbox"/> .040 ALUMIN.	<input type="checkbox"/> ENAMEL		C=	INSIDE MITERS DEG.
<input type="checkbox"/> .050 ALUMIN.	<input type="checkbox"/> ANODIZED		D=	RIGHT END CAPS
<input type="checkbox"/> .063 ALUMIN.			RADIUS=	LEFT END CAPS
<input type="checkbox"/> OTHER				

PROJECT: \_\_\_\_\_

ARCHITECT: \_\_\_\_\_

ROOFING CONTRACTOR: \_\_\_\_\_


REPRESENTATIVE: \_\_\_\_\_

FABRICATION WILL PROCEED ONLY AFTER RECEIPT OF SIGNED DRAWING APPROVAL

**DRAWING APPROVAL**

ARCHITECT AND /OR CONTRACTOR SHALL VERIFY ALL DIMENSIONS, SIZES AND QUANTITIES. ALL PRODUCTS TO BE INSTALLED IN STRICT ACCORDANCE WITH FAIRFIELD METAL'S PRINTED INSTRUCTIONS.

APPROVED BY \_\_\_\_\_ DATE \_\_\_\_\_

 <p><b>Fairfield Metal</b> 9 Audrey Place, Fairfield, NJ 07004 Phone: 973-276-8440 www.fairfieldmetal.com</p>	Drawing Title: <b>COPING MITER WELDED</b>	Drawing No. <b>C-017</b>
	Drawn By: <b>MD</b>	