
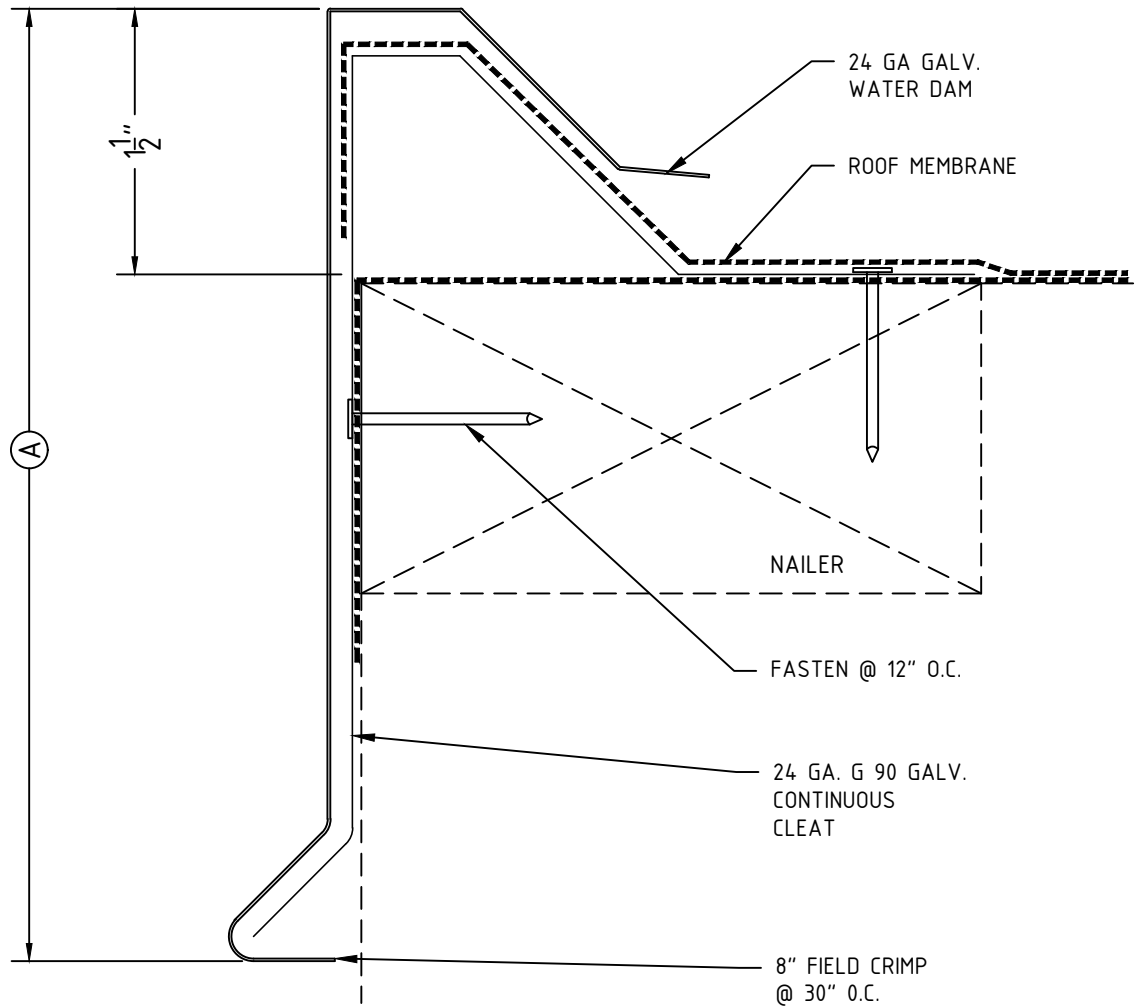


MATERIAL	FINISH	COLOR	DIMENSION	QUANTITIES
<input type="checkbox"/> 24 GA. GALV.	<input type="checkbox"/> KYNAR		A=	LINEAR FT
<input type="checkbox"/> .032 ALUMIN.	<input type="checkbox"/> MILL FINISH		B=	OUTSIDE MITERS DEG.
<input type="checkbox"/> .040 ALUMIN.	<input type="checkbox"/> ENAMEL		C=	INSIDE MITERS DEG.
<input type="checkbox"/> .050 ALUMIN.	<input type="checkbox"/> ANODIZED		D=	
<input type="checkbox"/> .063 ALUMIN.			ANGLE 1=	
<input type="checkbox"/> OTHER			ROOF PITCH	

PROJECT:	FABRICATION WILL PROCEED ONLY AFTER RECEIPT OF SIGNED DRAWING APPROVAL DRAWING APPROVAL ARCHITECT AND /OR CONTRACTOR SHALL VERIFY ALL DIMENSIONS, SIZES AND QUANTITIES. ALL PRODUCTS TO BE INSTALLED IN STRICT ACCORDANCE WITH FAIRFIELD METAL'S PRINTED INSTRUCTIONS. APPROVED BY _____ DATE _____
ARCHITECT:	
ROOFING CONTRACTOR:	
REPRESENTATIVE:	

 Fairfield Metal 9 Audrey Place, Fairfield, NJ 07004 Phone: 973-276-8440 www.fairfieldmetal.com	Drawing Title: FLASHING EDGE	Drawing No. F-003
	Drawn By: MD	



MATERIAL	FINISH	COLOR	DIMENSION	QUANTITIES
<input type="checkbox"/> 24 GA. GALV.	<input type="checkbox"/> KYNAR		A=	LINEAR FT
<input type="checkbox"/> .032 ALUMIN.	<input type="checkbox"/> MILL FINISH		B=	OUTSIDE MITERS DEG.
<input type="checkbox"/> .040 ALUMIN.	<input type="checkbox"/> ENAMEL		C=	INSIDE MITERS DEG.
<input type="checkbox"/> .050 ALUMIN.	<input type="checkbox"/> ANODIZED		D=	
<input type="checkbox"/> .063 ALUMIN.				
<input type="checkbox"/> OTHER				

PROJECT: _____

ARCHITECT: _____

ROOFING CONTRACTOR: _____


REPRESENTATIVE: _____

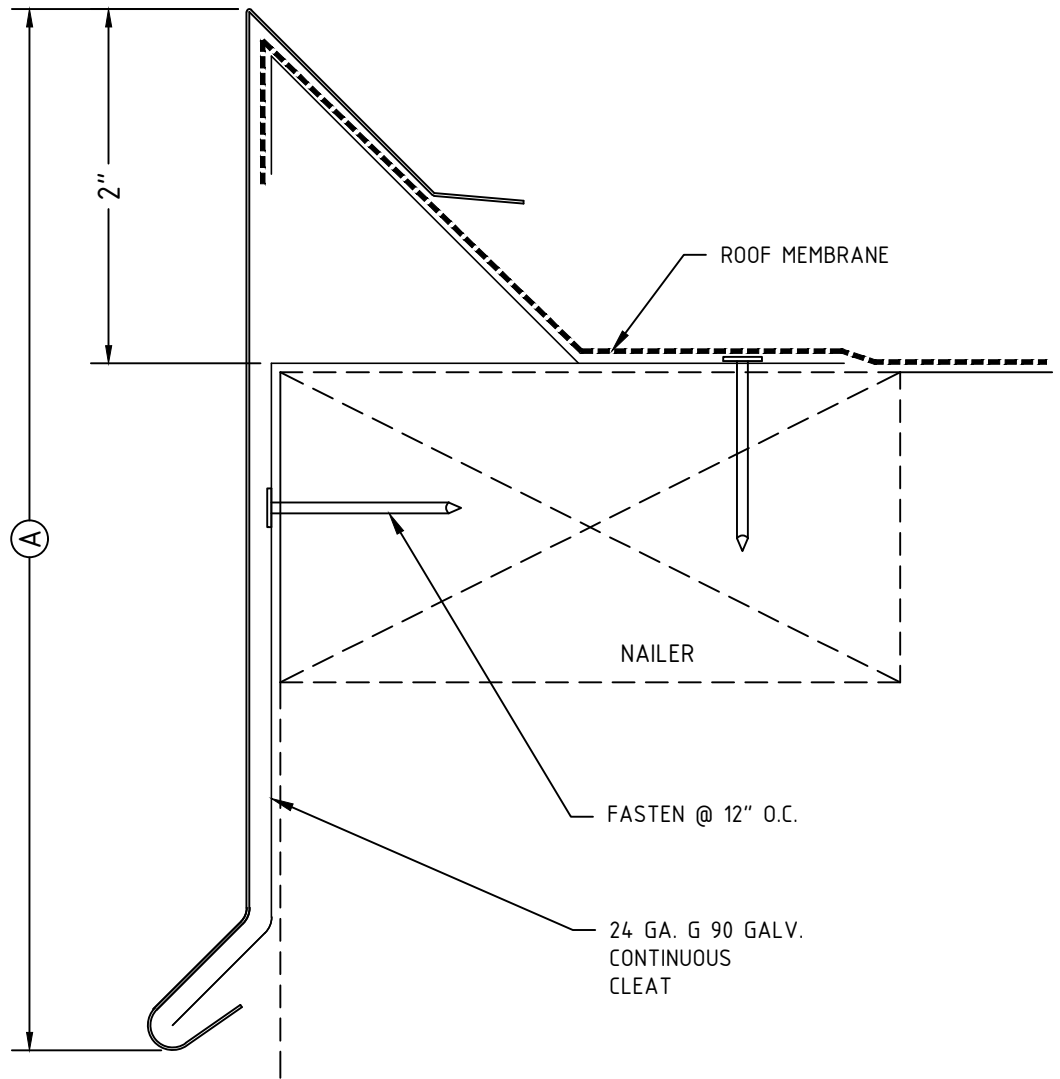
FABRICATION WILL PROCEED ONLY AFTER RECEIPT OF SIGNED DRAWING APPROVAL

DRAWING APPROVAL

ARCHITECT AND /OR CONTRACTOR SHALL VERIFY ALL DIMENSIONS, SIZES AND QUANTITIES. ALL PRODUCTS TO BE INSTALLED IN STRICT ACCORDANCE WITH FAIRFIELD METAL'S PRINTED INSTRUCTIONS.

APPROVED BY _____ DATE _____

 <p>Fairfield Metal 9 Audrey Place, Fairfield, NJ 07004 Phone: 973-276-8440 www.fairfieldmetal.com</p>	Drawing Title: FLASHING MECHANICAL LOCK FASCIA		Drawing No. F-004
	Drawn By: MD	Date: 02.01.2015	



MATERIAL	FINISH	COLOR	DIMENSION	QUANTITIES
<input type="checkbox"/> 24 GA. GALV.	<input type="checkbox"/> KYNAR		A=	LINEAR FT
<input type="checkbox"/> .032 ALUMIN.	<input type="checkbox"/> MILL FINISH		B=	OUTSIDE MITERS DEG.
<input type="checkbox"/> .040 ALUMIN.	<input type="checkbox"/> ENAMEL		C=	INSIDE MITERS DEG.
<input type="checkbox"/> .050 ALUMIN.	<input type="checkbox"/> ANODIZED		D=	
<input type="checkbox"/> .063 ALUMIN.			ANGLE 1=	
<input type="checkbox"/> OTHER			ANGLE 2=	

PROJECT:

ARCHITECT:

ROOFING CONTRACTOR:

REPRESENTATIVE:

FABRICATION WILL PROCEED ONLY AFTER RECEIPT OF SIGNED DRAWING APPROVAL

DRAWING APPROVAL

ARCHITECT AND /OR CONTRACTOR SHALL VERIFY ALL DIMENSIONS, SIZES AND QUANTITIES. ALL PRODUCTS TO BE INSTALLED IN STRICT ACCORDANCE WITH FAIRFIELD METAL'S PRINTED INSTRUCTIONS.

APPROVED BY _____ DATE _____

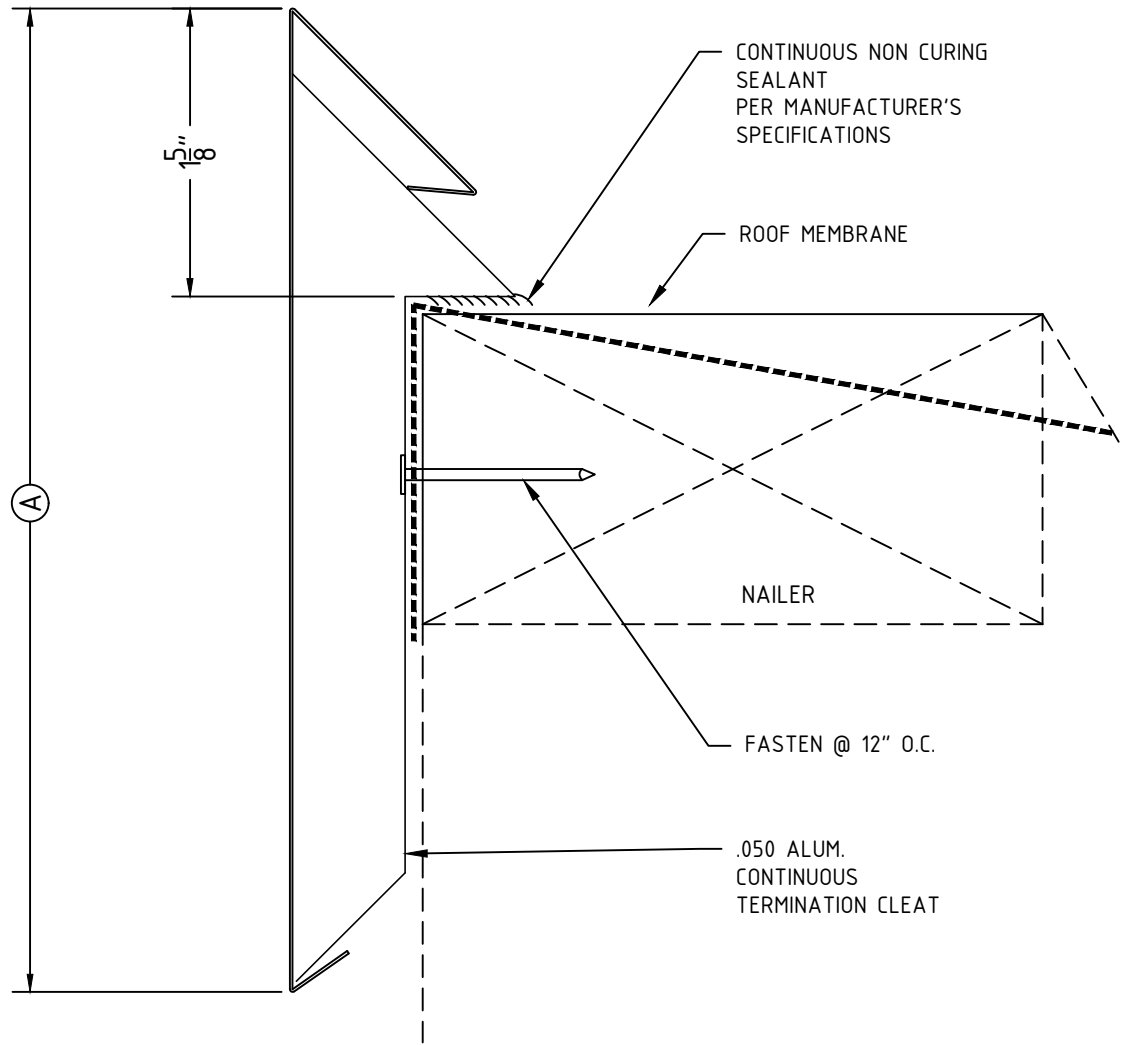


Fairfield Metal
 9 Audrey Place, Fairfield, NJ 07004
 Phone: 973-276-8440
 www.fairfieldmetal.com

Drawing Title: **FLASHING
SNAP LOCK FASCIA**


Drawn By: **MD**

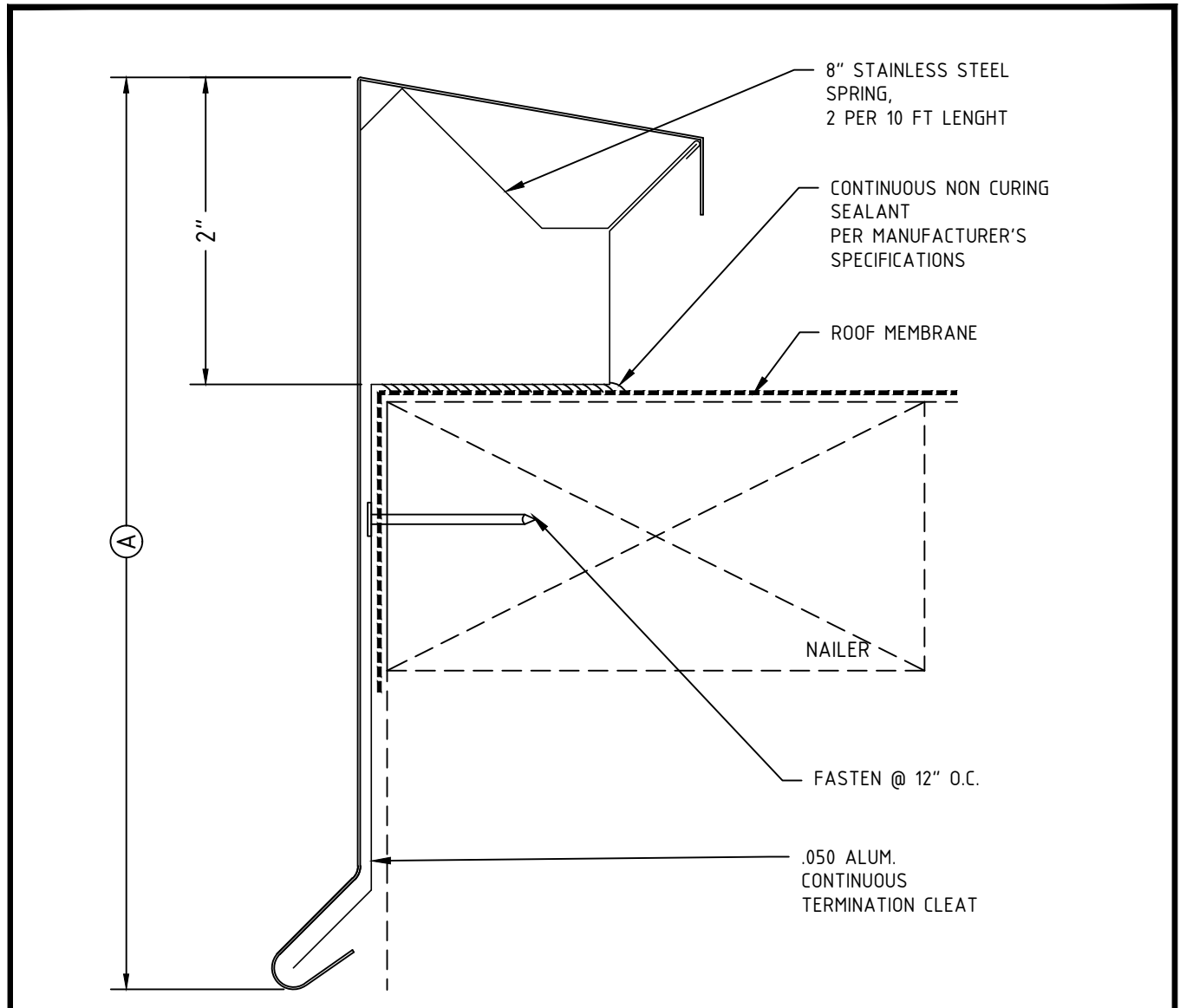
Drawing No. **F-005**



MATERIAL	FINISH	COLOR	DIMENSION	QUANTITIES
<input type="checkbox"/> 24 GA. GALV.	<input type="checkbox"/> KYNAR		A=	LINEAR FT
<input type="checkbox"/> .032 ALUMIN.	<input type="checkbox"/> MILL FINISH		B=	OUTSIDE MITERS DEG.
<input type="checkbox"/> .040 ALUMIN.	<input type="checkbox"/> ENAMEL		C=	INSIDE MITERS DEG.
<input type="checkbox"/> .050 ALUMIN.	<input type="checkbox"/> ANODIZED		D=	
<input type="checkbox"/> .063 ALUMIN.			ANGLE 1=	
<input type="checkbox"/> OTHER			ANGLE 2=	

PROJECT:	FABRICATION WILL PROCEED ONLY AFTER RECEIPT OF SIGNED DRAWING APPROVAL DRAWING APPROVAL ARCHITECT AND /OR CONTRACTOR SHALL VERIFY ALL DIMENSIONS, SIZES AND QUANTITIES. ALL PRODUCTS TO BE INSTALLED IN STRICT ACCORDANCE WITH FAIRFIELD METAL'S PRINTED INSTRUCTIONS. APPROVED BY _____ DATE _____
ARCHITECT:	
ROOFING CONTRACTOR:	
REPRESENTATIVE:	

 Fairfield Metal 9 Audrey Place, Fairfield, NJ 07004 Phone: 973-276-8440 www.fairfieldmetal.com	Drawing Title: FLASHING ECONO SNAP ON FASCIA	Drawing No. F-006
	Drawn By: MD	



MATERIAL	FINISH	COLOR	DIMENSION	QUANTITIES
<input type="checkbox"/> 24 GA. GALV.	<input type="checkbox"/> KYNAR		A=	LINEAR FT
<input type="checkbox"/> .032 ALUMIN.	<input type="checkbox"/> MILL FINISH		B=	OUTSIDE MITERS DEG.
<input type="checkbox"/> .040 ALUMIN.	<input type="checkbox"/> ENAMEL		C=	INSIDE MITERS DEG.
<input type="checkbox"/> .050 ALUMIN.	<input type="checkbox"/> ANODIZED		D=	
<input type="checkbox"/> .063 ALUMIN.			ANGLE 1=	
<input type="checkbox"/> OTHER			ANGLE 2=	

PROJECT:

ARCHITECT:

ROOFING CONTRACTOR:


REPRESENTATIVE:

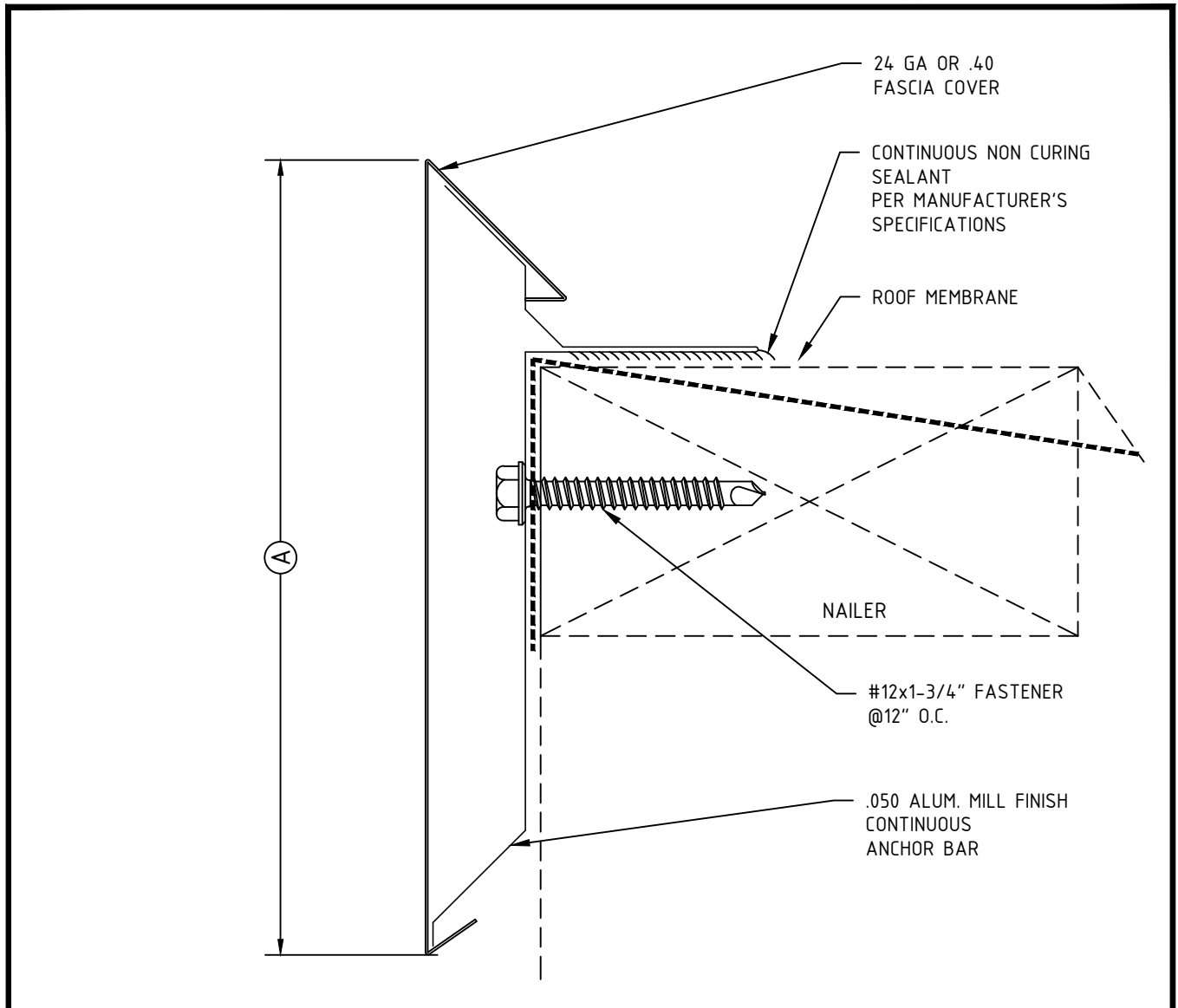
FABRICATION WILL PROCEED ONLY AFTER RECEIPT OF SIGNED DRAWING APPROVAL

DRAWING APPROVAL

ARCHITECT AND /OR CONTRACTOR SHALL VERIFY ALL DIMENSIONS, SIZES AND QUANTITIES. ALL PRODUCTS TO BE INSTALLED IN STRICT ACCORDANCE WITH FAIRFIELD METAL'S PRINTED INSTRUCTIONS.

APPROVED BY _____ DATE _____

 <p>Fairfield Metal 9 Audrey Place, Fairfield, NJ 07004 Phone: 973-276-8440 www.fairfieldmetal.com</p>	Drawing Title: FLASHING 3 PIECE FASCIA W/SPRING	Drawing No. F-007
	Drawn By: MD	



MATERIAL	FINISH	COLOR	DIMENSION	QUANTITIES
<input type="checkbox"/> 24 GA. GALV.	<input type="checkbox"/> KYNAR		A=	LINEAR FT
<input type="checkbox"/> .032 ALUMIN.	<input type="checkbox"/> MILL FINISH		B=	OUTSIDE MITERS DEG.
<input type="checkbox"/> .040 ALUMIN.	<input type="checkbox"/> ENAMEL		C=	INSIDE MITERS DEG.
<input type="checkbox"/> .050 ALUMIN.	<input type="checkbox"/> ANODIZED		D=	
<input type="checkbox"/> .063 ALUMIN.	<input type="checkbox"/>		ANGLE 1=	
<input type="checkbox"/> OTHER	<input type="checkbox"/>		ANGLE 2=	

PROJECT: _____

ARCHITECT: _____

ROOFING CONTRACTOR: _____


REPRESENTATIVE: _____

FABRICATION WILL PROCEED ONLY AFTER RECEIPT OF SIGNED DRAWING APPROVAL

DRAWING APPROVAL

ARCHITECT AND /OR CONTRACTOR SHALL VERIFY ALL DIMENSIONS, SIZES AND QUANTITIES. ALL PRODUCTS TO BE INSTALLED IN STRICT ACCORDANCE WITH FAIRFIELD METAL'S PRINTED INSTRUCTIONS.

APPROVED BY _____ DATE _____

 <p>Fairfield Metal 9 Audrey Place, Fairfield, NJ 07004 Phone: 973-276-8440 www.fairfieldmetal.com</p>	Drawing Title: FLASHING EDGE TRIM FASCIA		Drawing No. F-008
	Drawn By: MD	Date: 02.01.2015	