

MATERIAL	FINISH	COLOR	DIMENSION	QUANTITIES
<input type="checkbox"/> 24 GA.	<input type="checkbox"/> KYNAR		A=	LINEAR FT
<input type="checkbox"/> .040 ALUMIN.	<input type="checkbox"/> MILL FINISH		B=	OUTSIDE MITERS DEG.
	<input type="checkbox"/> ENAMEL		C=	INSIDE MITERS DEG.
	<input type="checkbox"/> ANODIZED		D=	RIGHT END CAPS
				LEFT END CAPS
				EXPANSION JOINT COVERS

PROJECT:

ARCHITECT:

ROOFING CONTRACTOR:


REPRESENTATIVE:

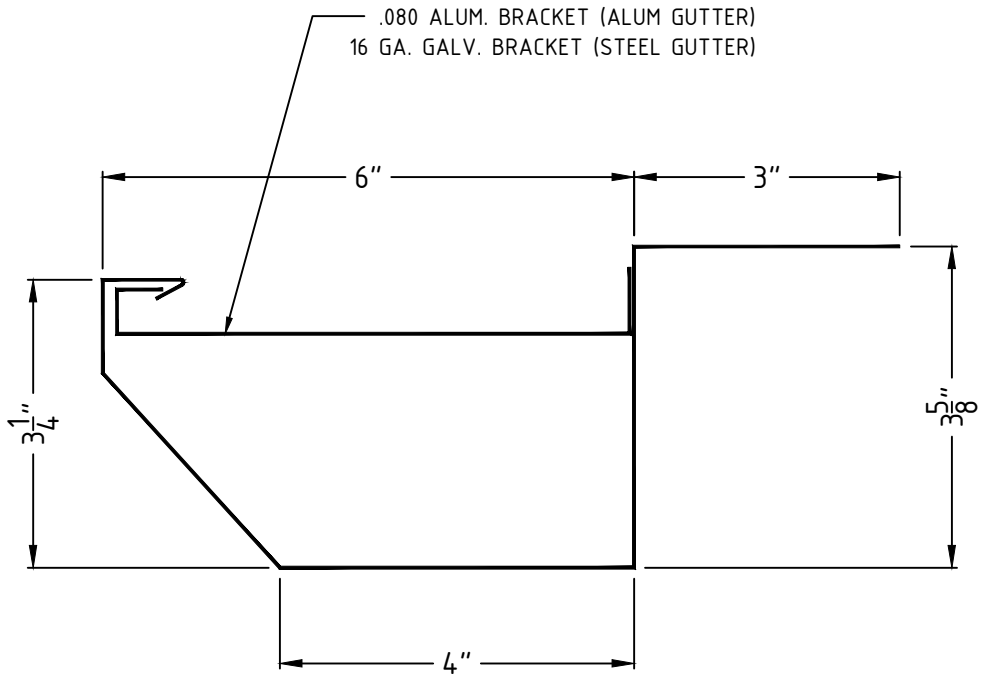
FABRICATION WILL PROCEED ONLY AFTER RECEIPT OF SIGNED DRAWING APPROVAL

**DRAWING APPROVAL**

ARCHITECT AND /OR CONTRACTOR SHALL VERIFY ALL DIMENSIONS, SIZES AND QUANTITIES. ALL PRODUCTS TO BE INSTALLED IN STRICT ACCORDANCE WITH FAIRFIELD METAL'S PRINTED INSTRUCTIONS.


APPROVED BY \_\_\_\_\_ DATE \_\_\_\_\_

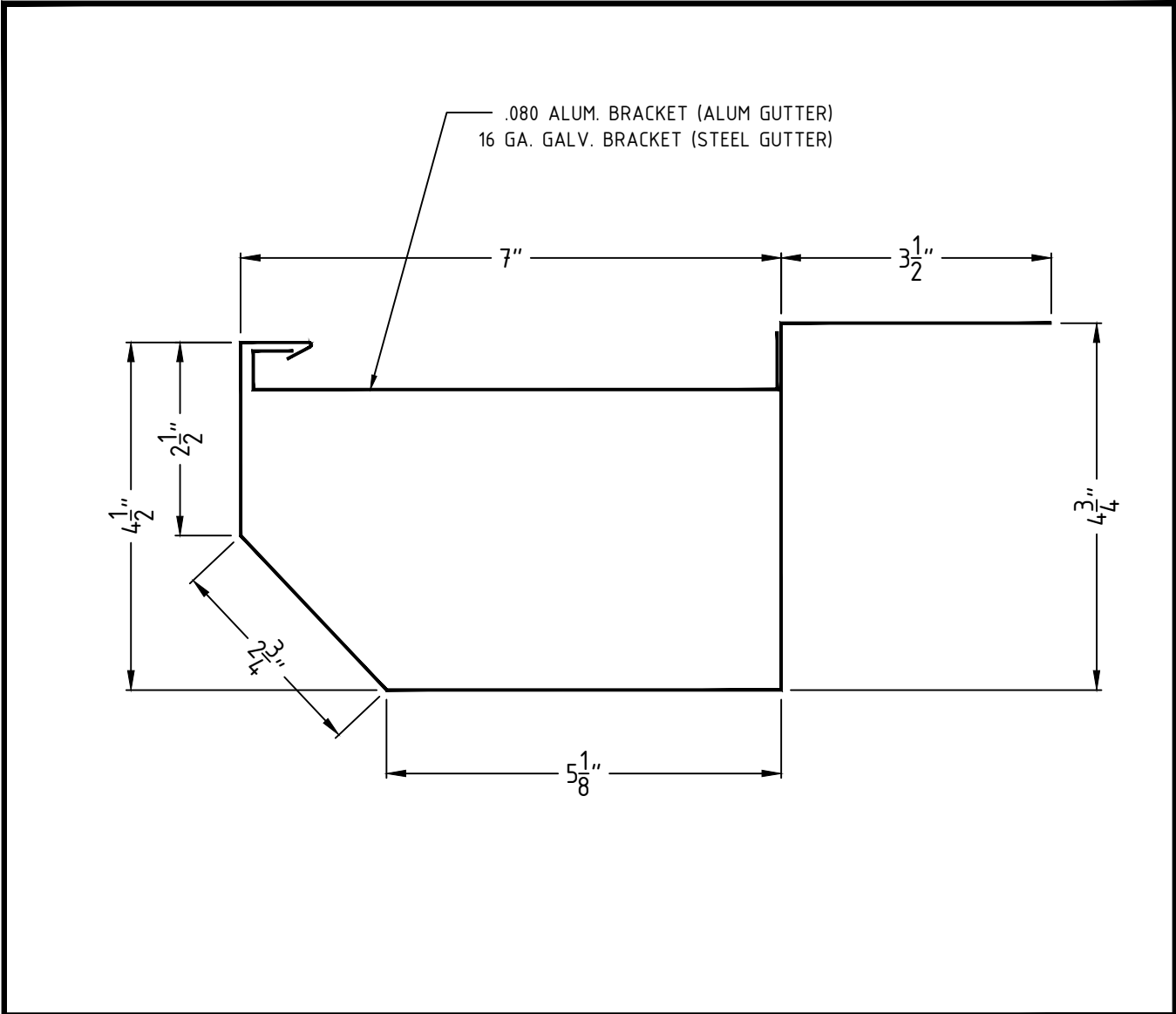
 <p><b>Fairfield Metal</b> 9 Audrey Place, Fairfield, NJ 07004 Phone: 973-276-8440 www.fairfieldmetal.com</p>	<p>Drawing Title: <b>GUTTER</b> <b>ANSI/SPRI GD-1 CERTIFIED</b></p>	<p>Drawing No. <b>G-001</b></p>
	<p>Drawn By: <b>MD</b>      Date: <b>02.18.2015</b></p>	



MATERIAL	FINISH	COLOR	DIMENSION	QUANTITIES
<input type="checkbox"/> 24 GA. GALV.	<input type="checkbox"/> KYNAR		A=	LINEAR FT
<input type="checkbox"/> .032 ALUMIN.	<input type="checkbox"/> MILL FINISH		B=	OUTSIDE MITERS DEG.
<input type="checkbox"/> .040 ALUMIN.	<input type="checkbox"/> ENAMEL		C=	INSIDE MITERS DEG.
<input type="checkbox"/> .050 ALUMIN.	<input type="checkbox"/> ANODIZED		D=	RIGHT END CAPS
<input type="checkbox"/> .063 ALUMIN.				LEFT END CAPS
<input type="checkbox"/> OTHER				EXPANSION JOINT COVERS

PROJECT:	FABRICATION WILL PROCEED ONLY AFTER RECEIPT OF SIGNED DRAWING APPROVAL <b>DRAWING APPROVAL</b> ARCHITECT AND /OR CONTRACTOR SHALL VERIFY ALL DIMENSIONS, SIZES AND QUANTITIES. ALL PRODUCTS TO BE INSTALLED IN STRICT ACCORDANCE WITH FAIRFIELD METAL'S PRINTED INSTRUCTIONS.  APPROVED BY _____ DATE _____
ARCHITECT:	
ROOFING CONTRACTOR:	
REPRESENTATIVE:	

 <b>Fairfield Metal</b> 9 Audrey Place, Fairfield, NJ 07004 Phone: 973-276-8440 www.fairfieldmetal.com	Drawing Title: <b>GUTTER</b> <b>4"x6" HIGH BACK</b>	Drawing No. <b>G-002</b>
	Drawn By: <b>MD</b>	



MATERIAL	FINISH	COLOR	DIMENSION	QUANTITIES
<input type="checkbox"/> 24 GA. GALV.	<input type="checkbox"/> KYNAR		A=	LINEAR FT
<input type="checkbox"/> .032 ALUMIN.	<input type="checkbox"/> MILL FINISH		B=	OUTSIDE MITERS DEG.
<input type="checkbox"/> .040 ALUMIN.	<input type="checkbox"/> ENAMEL		C=	INSIDE MITERS DEG.
<input type="checkbox"/> .050 ALUMIN.	<input type="checkbox"/> ANODIZED		D=	RIGHT END CAPS
<input type="checkbox"/> .063 ALUMIN.				LEFT END CAPS
<input type="checkbox"/> OTHER				EXPANSION JOINT COVERS

PROJECT:

ARCHITECT:

ROOFING CONTRACTOR:


REPRESENTATIVE:

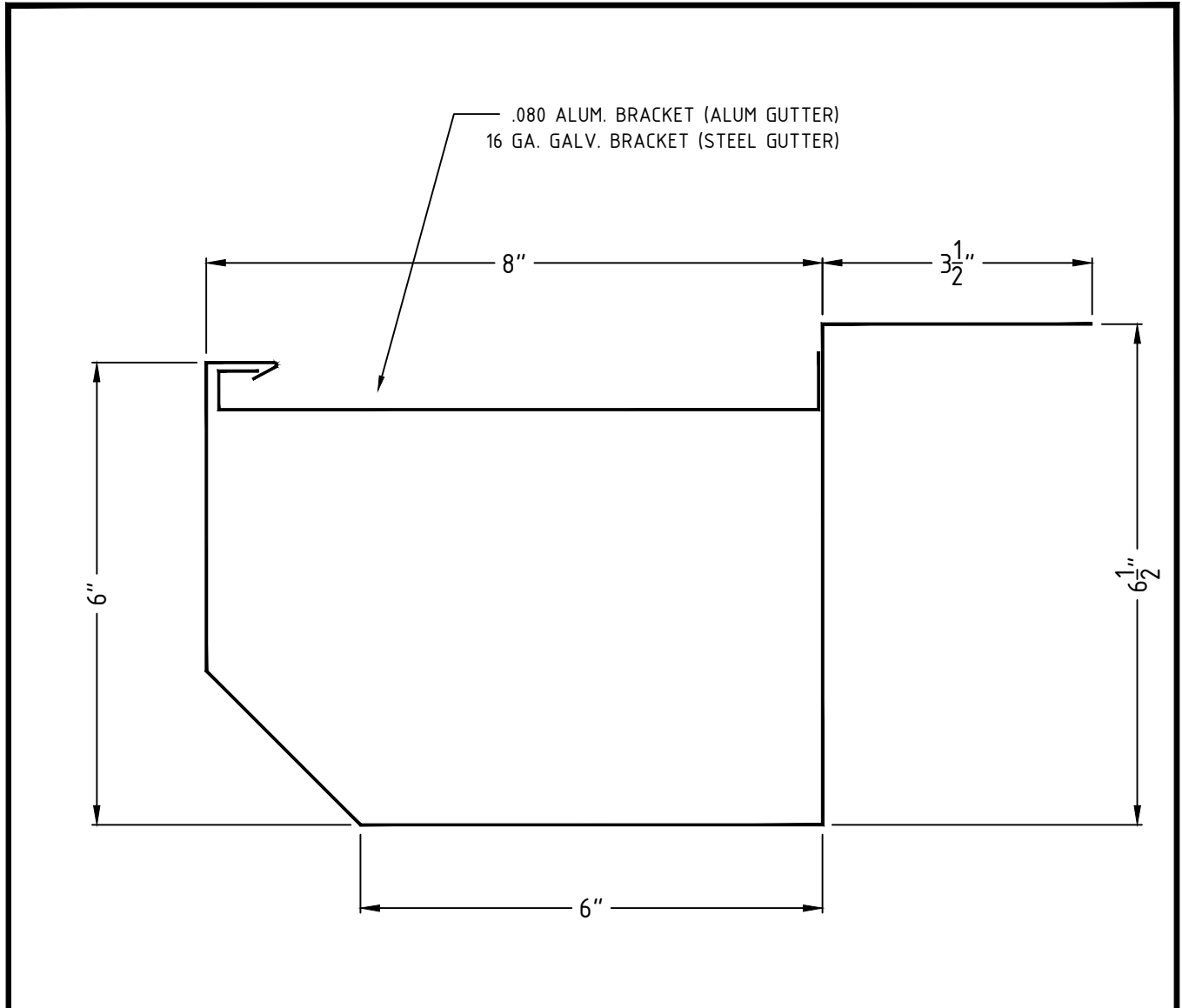
FABRICATION WILL PROCEED ONLY AFTER RECEIPT OF SIGNED DRAWING APPROVAL

**DRAWING APPROVAL**

ARCHITECT AND /OR CONTRACTOR SHALL VERIFY ALL DIMENSIONS, SIZES AND QUANTITIES. ALL PRODUCTS TO BE INSTALLED IN STRICT ACCORDANCE WITH FAIRFIELD METAL'S PRINTED INSTRUCTIONS.

APPROVED BY \_\_\_\_\_ DATE \_\_\_\_\_

 <p><b>Fairfield Metal</b> 9 Audrey Place, Fairfield, NJ 07004 Phone: 973-276-8440 www.fairfieldmetal.com</p>	<p>Drawing Title: <b>GUTTER</b> <b>4"x7" HIGH BACK</b></p>	<p>Drawing No. <b>G-003</b></p>
	<p>Drawn By: <b>MD</b> Date: <b>05.04.2015</b></p>	



MATERIAL	FINISH	COLOR	DIMENSION	QUANTITIES
<input type="checkbox"/> 24 GA. GALV.	<input type="checkbox"/> KYNAR		A=	LINEAR FT
<input type="checkbox"/> .032 ALUMIN.	<input type="checkbox"/> MILL FINISH		B=	OUTSIDE MITERS DEG.
<input type="checkbox"/> .040 ALUMIN.	<input type="checkbox"/> ENAMEL		C=	INSIDE MITERS DEG.
<input type="checkbox"/> .050 ALUMIN.	<input type="checkbox"/> ANODIZED		D=	RIGHT END CAPS
<input type="checkbox"/> .063 ALUMIN.				LEFT END CAPS
<input type="checkbox"/> OTHER				EXPANSION JOINT COVERS

PROJECT:

ARCHITECT:

ROOFING CONTRACTOR:


REPRESENTATIVE:

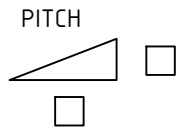
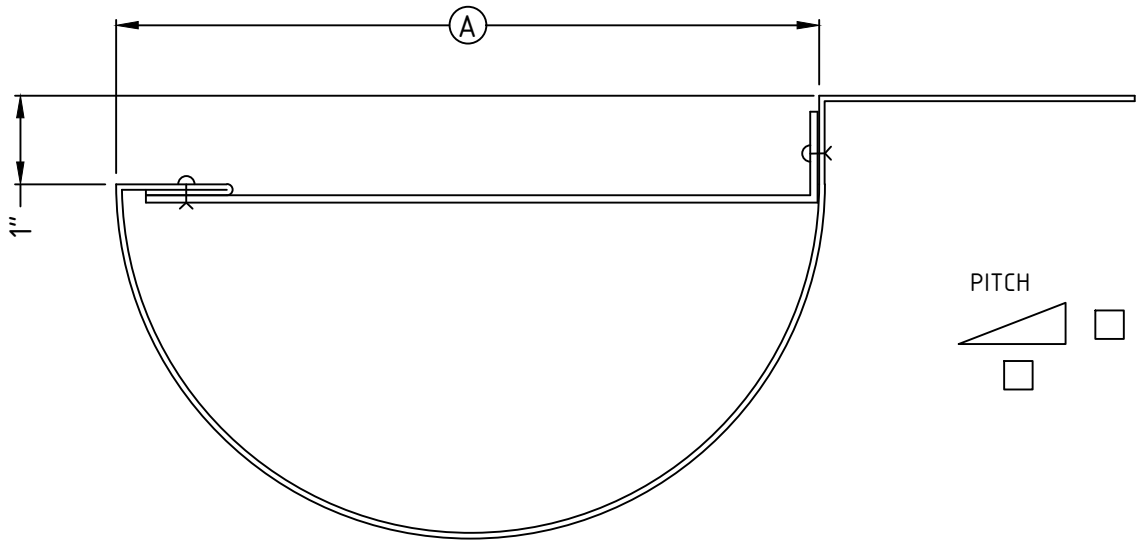
FABRICATION WILL PROCEED ONLY AFTER RECEIPT OF SIGNED DRAWING APPROVAL

**DRAWING APPROVAL**

ARCHITECT AND /OR CONTRACTOR SHALL VERIFY ALL DIMENSIONS, SIZES AND QUANTITIES. ALL PRODUCTS TO BE INSTALLED IN STRICT ACCORDANCE WITH FAIRFIELD METAL'S PRINTED INSTRUCTIONS.


APPROVED BY \_\_\_\_\_ DATE \_\_\_\_\_

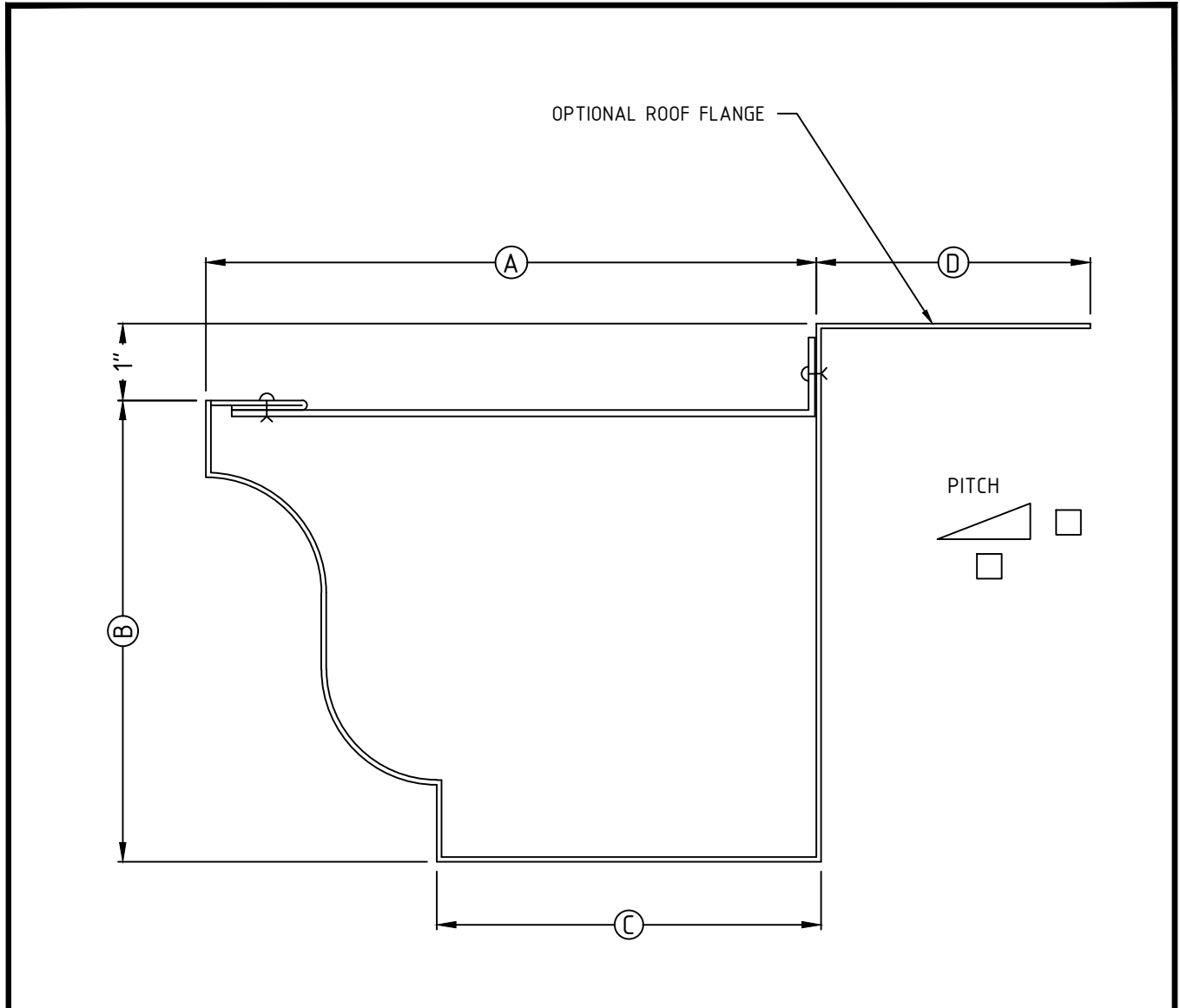
 <p><b>Fairfield Metal</b> 9 Audrey Place, Fairfield, NJ 07004 Phone: 973-276-8440 www.fairfieldmetal.com</p>	Drawing Title: <b>GUTTER 6"x8" HIGH BACK</b>	Drawing No. <b>G-004</b>
	Drawn By: <b>MD</b>	



MATERIAL	FINISH	COLOR	DIMENSION	QUANTITIES
<input type="checkbox"/> 24 GA. GALV.	<input type="checkbox"/> KYNAR		A=	LINEAR FT
<input type="checkbox"/> .032 ALUMIN.	<input type="checkbox"/> MILL FINISH		B=	OUTSIDE MITERS DEG.
<input type="checkbox"/> .040 ALUMIN.	<input type="checkbox"/> ENAMEL		C=	INSIDE MITERS DEG.
<input type="checkbox"/> .050 ALUMIN.	<input type="checkbox"/> ANODIZED		D=	RIGHT END CAPS
<input type="checkbox"/> .063 ALUMIN.				LEFT END CAPS
<input type="checkbox"/> OTHER				EXPANSION JOINT COVERS

PROJECT:	<p>FABRICATION WILL PROCEED ONLY AFTER RECEIPT OF SIGNED DRAWING APPROVAL</p> <p align="center"><b>DRAWING APPROVAL</b></p> <p>ARCHITECT AND /OR CONTRACTOR SHALL VERIFY ALL DIMENSIONS, SIZES AND QUANTITIES. ALL PRODUCTS TO BE INSTALLED IN STRICT ACCORDANCE WITH FAIRFIELD METAL'S PRINTED INSTRUCTIONS.</p> <p>APPROVED BY _____ DATE _____</p>
ARCHITECT:	
ROOFING CONTRACTOR:	
REPRESENTATIVE:	

 <p><b>Fairfield Metal</b> 9 Audrey Place, Fairfield, NJ 07004 Phone: 973-276-8440 www.fairfieldmetal.com</p>	Drawing Title: <b>GUTTER HALF ROUND W/FLANGE</b>	Drawing No. <b>G-005</b>
	Drawn By: <b>MD</b>	Date: <b>05.04.2015</b>



MATERIAL	FINISH	COLOR	DIMENSION	QUANTITIES
<input type="checkbox"/> 24 GA. GALV.	<input type="checkbox"/> KYNAR		A=	LINEAR FT
<input type="checkbox"/> .032 ALUMIN.	<input type="checkbox"/> MILL FINISH		B=	OUTSIDE MITERS DEG.
<input type="checkbox"/> .040 ALUMIN.	<input type="checkbox"/> ENAMEL		C=	INSIDE MITERS DEG.
<input type="checkbox"/> .050 ALUMIN.	<input type="checkbox"/> ANODIZED		D=	RIGHT END CAPS
<input type="checkbox"/> .063 ALUMIN.				LEFT END CAPS
<input type="checkbox"/> OTHER				EXPANSION JOINT COVERS

PROJECT:

ARCHITECT:

ROOFING CONTRACTOR:


REPRESENTATIVE:

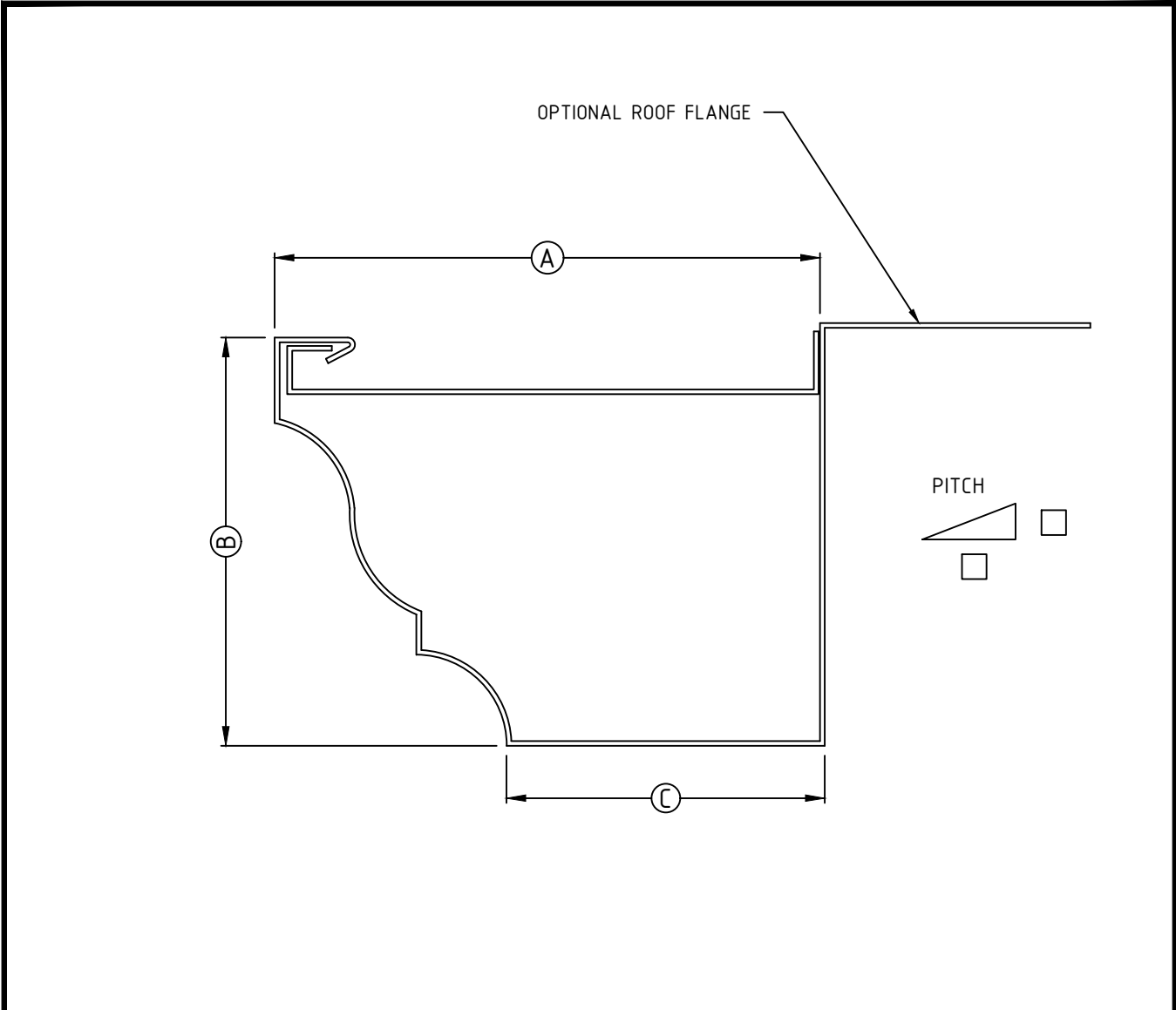
FABRICATION WILL PROCEED ONLY AFTER RECEIPT OF SIGNED DRAWING APPROVAL

**DRAWING APPROVAL**

ARCHITECT AND /OR CONTRACTOR SHALL VERIFY ALL DIMENSIONS, SIZES AND QUANTITIES. ALL PRODUCTS TO BE INSTALLED IN STRICT ACCORDANCE WITH FAIRFIELD METAL'S PRINTED INSTRUCTIONS.

APPROVED BY \_\_\_\_\_ DATE \_\_\_\_\_

 <p><b>Fairfield Metal</b> 9 Audrey Place, Fairfield, NJ 07004 Phone: 973-276-8440 www.fairfieldmetal.com</p>	<p>Drawing Title: <b>GUTTER K STYLE W/ FLANGE</b></p>	<p>Drawing No. <b>G-006</b></p>
	<p>Drawn By: <b>MD</b>      Date: <b>05.04.2015</b></p>	



MATERIAL	FINISH	COLOR	DIMENSION	QUANTITIES
<input type="checkbox"/> 24 GA. GALV.	<input type="checkbox"/> KYNAR		A=	LINEAR FT
<input type="checkbox"/> .032 ALUMIN.	<input type="checkbox"/> MILL FINISH		B=	OUTSIDE MITERS DEG.
<input type="checkbox"/> .040 ALUMIN.	<input type="checkbox"/> ENAMEL		C=	INSIDE MITERS DEG.
<input type="checkbox"/> .050 ALUMIN.			D=	RIGHT END CAPS
<input type="checkbox"/> .063 ALUMIN.				LEFT END CAPS
<input type="checkbox"/> OTHER				EXPANSION JOINT COVERS

PROJECT: \_\_\_\_\_

ARCHITECT: \_\_\_\_\_

ROOFING CONTRACTOR: \_\_\_\_\_


REPRESENTATIVE: \_\_\_\_\_

FABRICATION WILL PROCEED ONLY AFTER RECEIPT OF SIGNED DRAWING APPROVAL

**DRAWING APPROVAL**

ARCHITECT AND /OR CONTRACTOR SHALL VERIFY ALL DIMENSIONS, SIZES AND QUANTITIES. ALL PRODUCTS TO BE INSTALLED IN STRICT ACCORDANCE WITH FAIRFIELD METAL'S PRINTED INSTRUCTIONS.

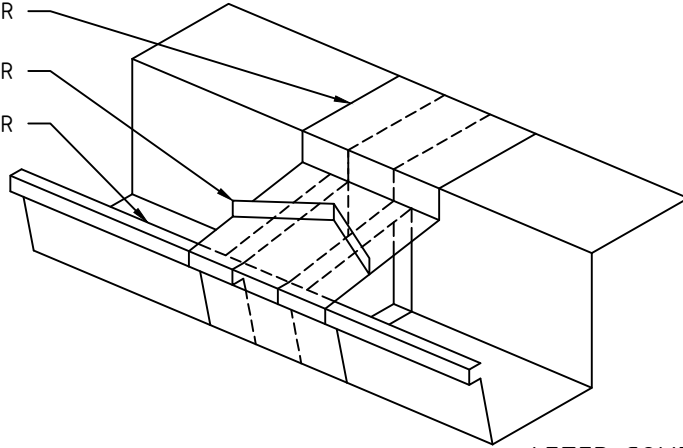
APPROVED BY \_\_\_\_\_ DATE \_\_\_\_\_

 <p><b>Fairfield Metal</b> 9 Audrey Place, Fairfield, NJ 07004 Phone: 973-276-8440 www.fairfieldmetal.com</p>	Drawing Title: <b>GUTTER CORNICE STYLE</b>	Drawing No. <b>G-007</b>
	Drawn By: <b>MD</b>	Date: <b>05.04.2015</b>

6" WIDE EXPANSION JOINT COVER

WATER DEFLECTOR

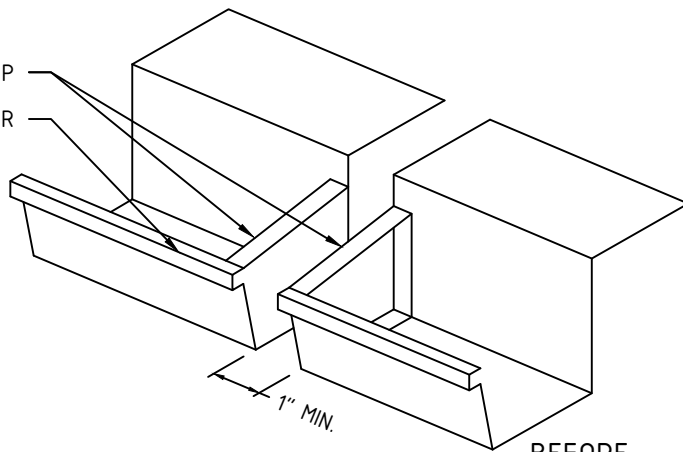
GUTTER



AFTER COVER APPLIED

GUTTER END CAP

GUTTER



BEFORE

MATERIAL	FINISH	COLOR	DIMENSION	QUANTITIES
<input type="checkbox"/> 24 GA. GALV.	<input type="checkbox"/> KYNAR		A=	NO. UNITS
<input type="checkbox"/> .032 ALUMIN.	<input type="checkbox"/> MILL FINISH		B=	
<input type="checkbox"/> .040 ALUMIN.	<input type="checkbox"/> ENAMEL		C=	
<input type="checkbox"/>	<input type="checkbox"/> ANODIZED		D=	
<input type="checkbox"/>				
<input type="checkbox"/> OTHER				

PROJECT:

ARCHITECT:

ROOFING CONTRACTOR:


REPRESENTATIVE:

FABRICATION WILL PROCEED ONLY AFTER RECEIPT OF SIGNED DRAWING APPROVAL

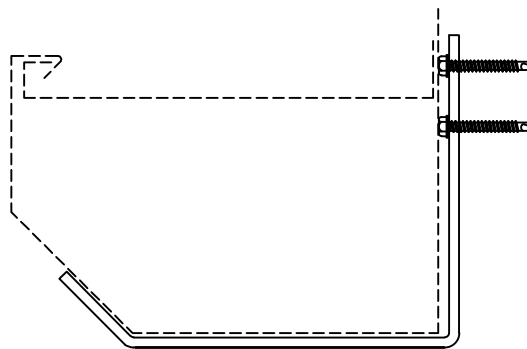
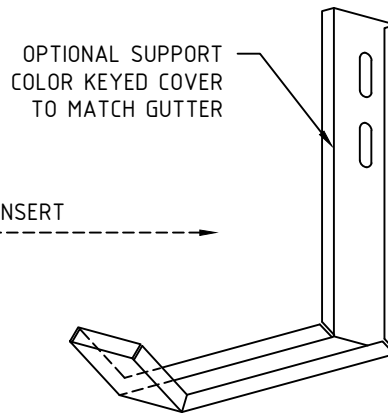
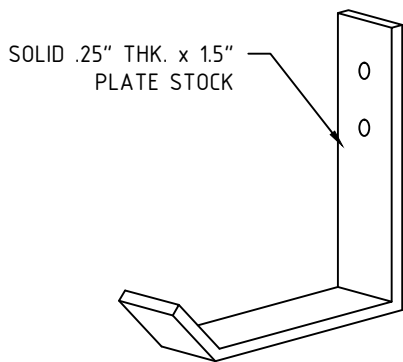
**DRAWING APPROVAL**

ARCHITECT AND /OR CONTRACTOR SHALL VERIFY ALL DIMENSIONS, SIZES AND QUANTITIES. ALL PRODUCTS TO BE INSTALLED IN STRICT ACCORDANCE WITH FAIRFIELD METAL'S PRINTED INSTRUCTIONS.

APPROVED BY \_\_\_\_\_ DATE \_\_\_\_\_

 <p><b>Fairfield Metal</b> 9 Audrey Place, Fairfield, NJ 07004 Phone: 973-276-8440 www.fairfieldmetal.com</p>	Drawing Title: <b>GUTTER EXPANSION JOINT</b>	Drawing No. <b>G-008</b>
	Drawn By: <b>MD</b>	





GUTTER SUPPORT BRACKET  
.25" THK. x 1.5" WIDE ALUM.

	FINISH	COLOR	GUTTER SIZE	QUANTITIES
	<input type="checkbox"/> KYNAR		<input type="checkbox"/> 4"x6"	NO. UNITS
	<input type="checkbox"/> MILL FINISH		<input type="checkbox"/> 5"x7"	
	<input type="checkbox"/> ENAMEL		<input type="checkbox"/> 6"x8"	
	<input type="checkbox"/> ANODIZED		<input type="checkbox"/> OTHER	

PROJECT:

ARCHITECT:

ROOFING CONTRACTOR:


REPRESENTATIVE:

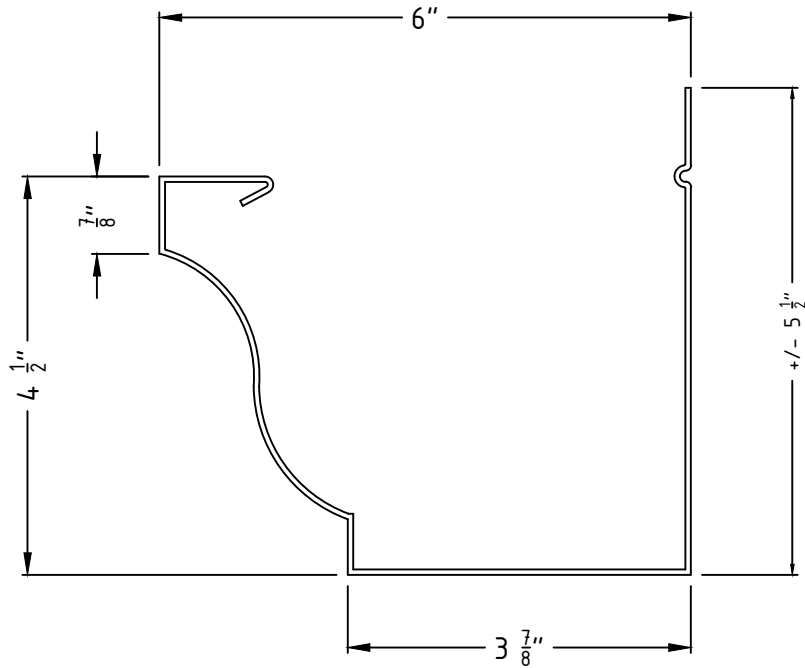
FABRICATION WILL PROCEED ONLY AFTER RECEIPT OF SIGNED DRAWING APPROVAL

**DRAWING APPROVAL**

ARCHITECT AND /OR CONTRACTOR SHALL VERIFY ALL DIMENSIONS, SIZES AND QUANTITIES. ALL PRODUCTS TO BE INSTALLED IN STRICT ACCORDANCE WITH FAIRFIELD METAL'S PRINTED INSTRUCTIONS.


APPROVED BY \_\_\_\_\_ DATE \_\_\_\_\_

 <p><b>Fairfield Metal</b> 9 Audrey Place, Fairfield, NJ 07004 Phone: 973-276-8440 www.fairfieldmetal.com</p>	<p>Drawing Title: <b>GUTTER EXTERIOR SUPPORT BRACKET</b></p>	<p>Drawing No. <b>G-009</b></p>
	<p>Drawn By: <b>MD</b>      Date: <b>05.04.2015</b></p>	

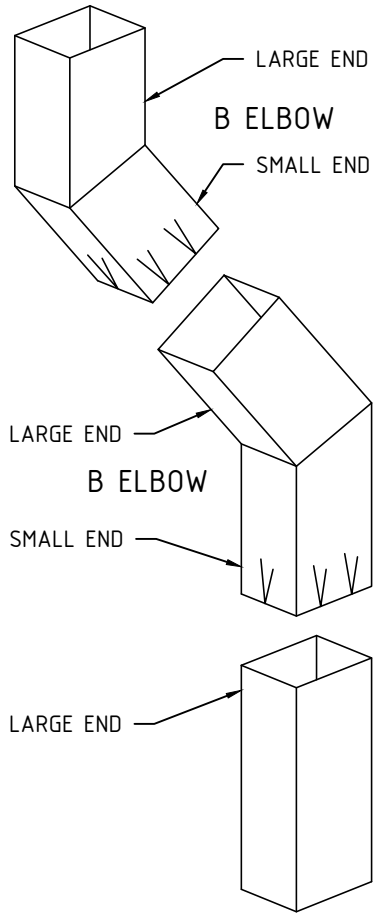


MATERIAL	FINISH	COLOR	DIMENSION	QUANTITIES
<input type="checkbox"/> 24 GA. GALV.	<input type="checkbox"/> KYNAR		A=	LINEAR FT
<input type="checkbox"/> .032 ALUMIN.	<input type="checkbox"/> MILL FINISH		B=	OUTSIDE MITERS DEG.
<input type="checkbox"/> 16 OZ. COPPER	<input type="checkbox"/> ENAMEL		C=	INSIDE MITERS DEG.
	<input type="checkbox"/> ANODIZED		D=	RIGHT END CAPS
				LEFT END CAPS
<input type="checkbox"/> OTHER				EXPANSION JOINT COVERS

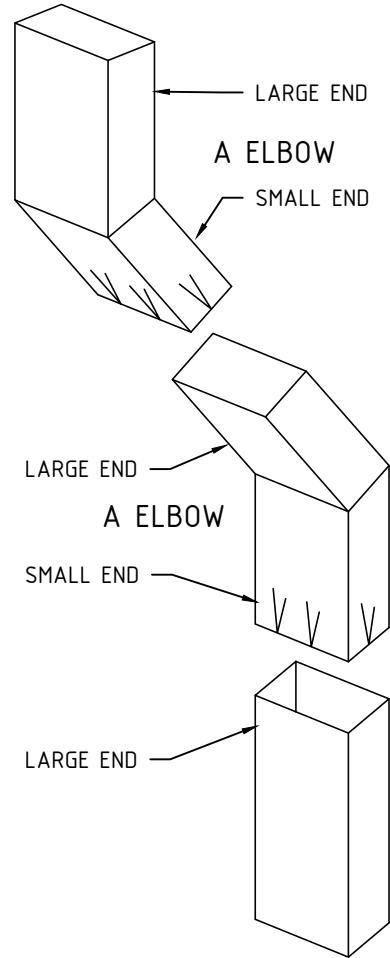
PROJECT:	<p>FABRICATION WILL PROCEED ONLY AFTER RECEIPT OF SIGNED DRAWING APPROVAL</p> <p align="center"><b>DRAWING APPROVAL</b></p> <p>ARCHITECT AND /OR CONTRACTOR SHALL VERIFY ALL DIMENSIONS, SIZES AND QUANTITIES. ALL PRODUCTS TO BE INSTALLED IN STRICT ACCORDANCE WITH FAIRFIELD METAL'S PRINTED INSTRUCTIONS.</p>
ARCHITECT:	
ROOFING CONTRACTOR:	
REPRESENTATIVE:	
APPROVED BY _____ DATE _____	

 <p><b>Fairfield Metal</b> 9 Audrey Place, Fairfield, NJ 07004 Phone: 973-276-8440 www.fairfieldmetal.com</p>	Drawing Title: <b>GUTTER 6" K STYLE</b>	Drawing No. <b>G-010</b>
	Drawn By: <b>MD</b>	

"B" ASSEMBLY



"A" ASSEMBLY



**Fairfield Metal**

9 Audrey Place, Fairfield, NJ 07004  
Phone: 973-276-8440  
www.fairfieldmetal.com

Drawing Title:

LEADER  
OFFSET ASSEMBLIES

Drawing No.

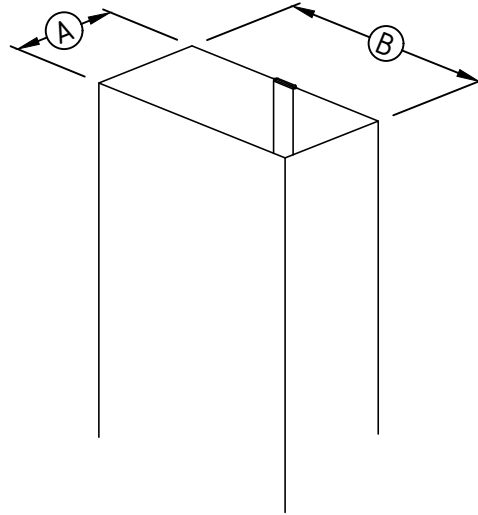
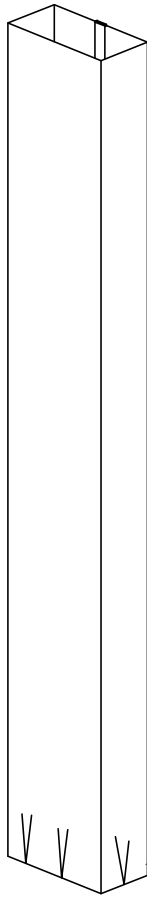
L-001

Drawn By:

MD

Date:

05.04.2015



LEADER ENDS ARE TAPERED AND CRIMPED

MATERIAL		FINISH	COLOR	DIMENSION		QUANTITIES
<input type="checkbox"/>	22 GA. GALV.	<input type="checkbox"/>	KYNAR	A	B	LINEAR FT
<input type="checkbox"/>	24 GA. GALV.	<input type="checkbox"/>	MILL FINISH	3"	4"	"A" ELBOWS 75°
<input type="checkbox"/>	.032 ALUMIN.	<input type="checkbox"/>	ENAMEL	4"	4"	"B" ELBOWS 75°
<input type="checkbox"/>	.040 ALUMIN.	<input type="checkbox"/>	ANODIZED	4"	5"	
<input type="checkbox"/>	.050 ALUMIN.			5"	5"	
<input type="checkbox"/>	OTHER			5"	6 1/2"	
				5 3/4"	5 3/4"	

PROJECT:

ARCHITECT:

ROOFING CONTRACTOR:


REPRESENTATIVE:

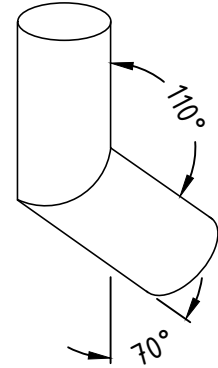
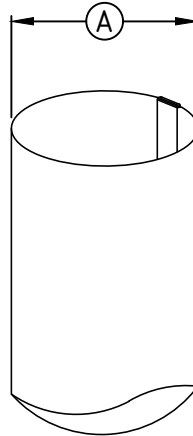
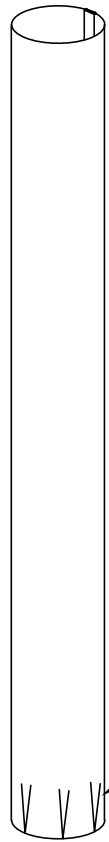
FABRICATION WILL PROCEED ONLY AFTER RECEIPT OF SIGNED DRAWING APPROVAL

**DRAWING APPROVAL**

ARCHITECT AND /OR CONTRACTOR SHALL VERIFY ALL DIMENSIONS, SIZES AND QUANTITIES. ALL PRODUCTS TO BE INSTALLED IN STRICT ACCORDANCE WITH FAIRFIELD METAL'S PRINTED INSTRUCTIONS.

APPROVED BY \_\_\_\_\_ DATE \_\_\_\_\_

 <p><b>Fairfield Metal</b> 9 Audrey Place, Fairfield, NJ 07004 Phone: 973-276-8440 www.fairfieldmetal.com</p>	Drawing Title: <b>LEADER PLAIN SQUARE</b>	Drawing No. <b>L-002</b>
	Drawn By: <b>MD</b>	



- LEADER ENDS ARE CRIMPED
- LEADER .40 OR GREATER ARE TAPERED AND CRIMPED

NOTE:

- LEADERS MIN. 4" DIA.
- .50 LEADER MIN. 5" DIA.

MATERIAL	FINISH	COLOR	DIMENSION	QUANTITIES
<input type="checkbox"/> 22 GA. GALV.	<input type="checkbox"/> KYNAR		A	LINEAR FT
<input type="checkbox"/> 24 GA. GALV.	<input type="checkbox"/> MILL FINISH		4"	ELBOWS
<input type="checkbox"/> .032 ALUMIN.	<input type="checkbox"/> ENAMEL		5"	
<input type="checkbox"/> .040 ALUMIN.	<input type="checkbox"/> ANODIZED		6"	
<input type="checkbox"/> .050 ALUMIN.			8"	
<input type="checkbox"/> OTHER				

PROJECT:

ARCHITECT:

ROOFING CONTRACTOR:


REPRESENTATIVE:

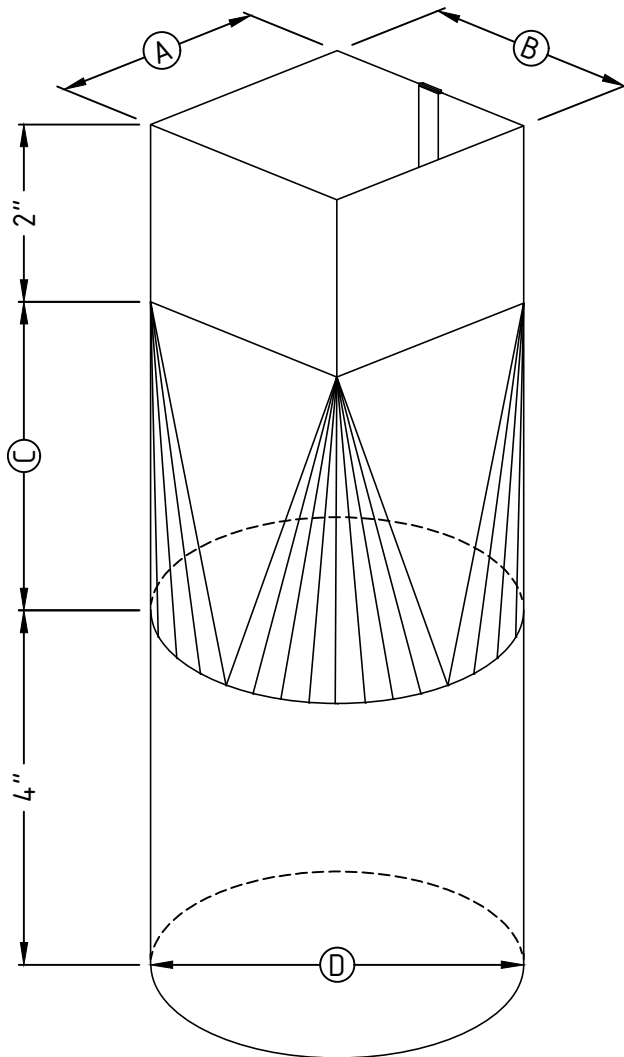
FABRICATION WILL PROCEED ONLY AFTER RECEIPT OF SIGNED DRAWING APPROVAL

**DRAWING APPROVAL**

ARCHITECT AND /OR CONTRACTOR SHALL VERIFY ALL DIMENSIONS, SIZES AND QUANTITIES. ALL PRODUCTS TO BE INSTALLED IN STRICT ACCORDANCE WITH FAIRFIELD METAL'S PRINTED INSTRUCTIONS.

APPROVED BY \_\_\_\_\_ DATE \_\_\_\_\_

 <p><b>Fairfield Metal</b> 9 Audrey Place, Fairfield, NJ 07004 Phone: 973-276-8440 www.fairfieldmetal.com</p>	Drawing Title: <b>LEADER PLAIN ROUND</b>	Drawing No. <b>L-003</b>
	Drawn By: <b>MD</b>	



MATERIAL	FINISH	COLOR	DIMENSION	QUANTITIES
<input type="checkbox"/> 22 GA. GALV.	<input type="checkbox"/> KYNAR		A=	NO. UNITS
<input type="checkbox"/> 24 GA. GALV.	<input type="checkbox"/> MILL FINISH		B=	
<input type="checkbox"/> .032 ALUMIN.	<input type="checkbox"/> ENAMEL		C=	
<input type="checkbox"/> .040 ALUMIN.	<input type="checkbox"/> ANODIZED		D=	
<input type="checkbox"/> .050 ALUMIN.				
<input type="checkbox"/> OTHER				

PROJECT: \_\_\_\_\_

ARCHITECT: \_\_\_\_\_

ROOFING CONTRACTOR: \_\_\_\_\_


REPRESENTATIVE: \_\_\_\_\_

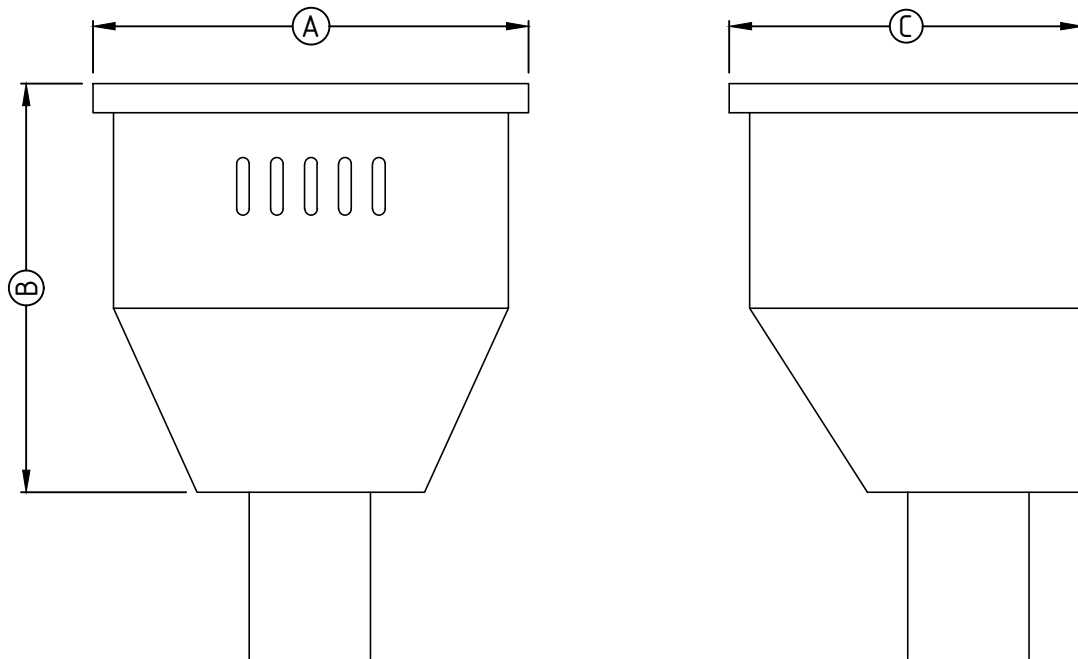
FABRICATION WILL PROCEED ONLY AFTER RECEIPT OF SIGNED DRAWING APPROVAL

**DRAWING APPROVAL**

ARCHITECT AND /OR CONTRACTOR SHALL VERIFY ALL DIMENSIONS, SIZES AND QUANTITIES. ALL PRODUCTS TO BE INSTALLED IN STRICT ACCORDANCE WITH FAIRFIELD METAL'S PRINTED INSTRUCTIONS.

APPROVED BY \_\_\_\_\_ DATE \_\_\_\_\_


 <b>Fairfield Metal</b> 9 Audrey Place, Fairfield, NJ 07004 Phone: 973-276-8440 www.fairfieldmetal.com	Drawing Title: <b>LEADER</b> <b>SQUARE TO ROUND ADAPTER</b>		Drawing No. <b>L-004</b>
	Drawn By: <b>MD</b>	Date: <b>05.04.2015</b>	

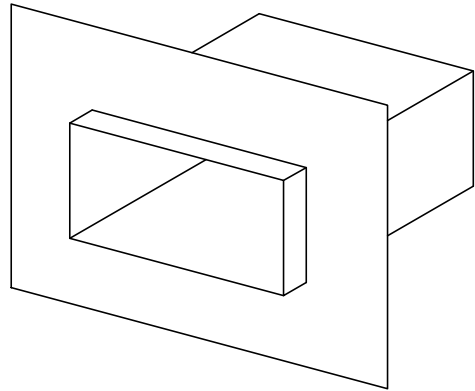
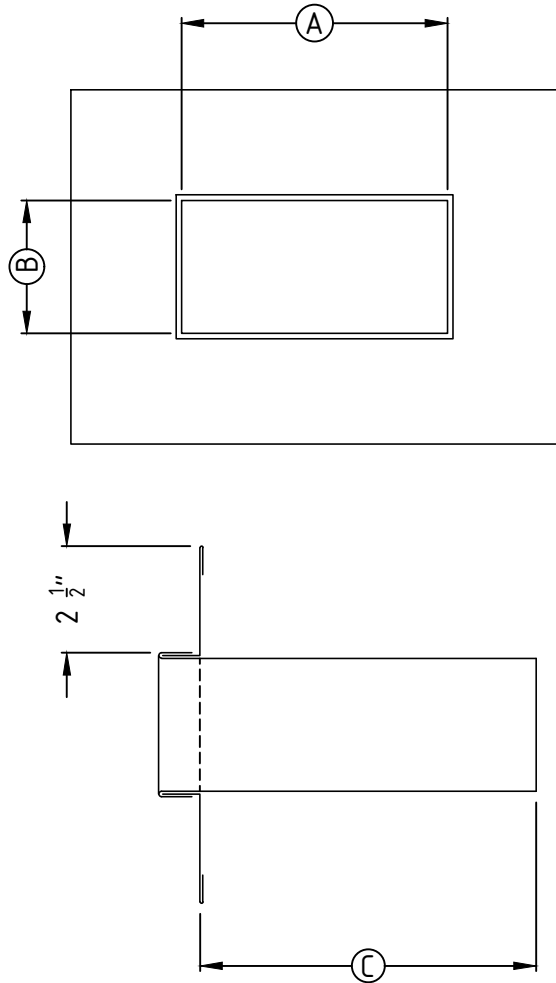


NOTE:	A	B	C	OUTLET
• 10" CONDUCTOR HEAD	10"	12"	7"	3" ; 4"
• 12" CONDUCTOR HEAD	12"	13"	7 1/2"	3" ; 4" ; 5"
• 14" CONDUCTOR HEAD	14"	14"	8"	3" ; 4" ; 5"

MATERIAL	FINISH	COLOR	DIMENSION	QUANTITIES
<input type="checkbox"/> 22 GA. GALV.	<input type="checkbox"/> KYNAR		A=	NO. UNITS
<input type="checkbox"/> 24 GA. GALV.	<input type="checkbox"/> MILL FINISH		B=	OUTLET SIZE
<input type="checkbox"/> .032 ALUMIN.	<input type="checkbox"/> BRONZE POLYESTER		C=	
<input type="checkbox"/> .040 ALUMIN.	<input type="checkbox"/> WHITE POLYESTER			OVERFLOW
<input type="checkbox"/> .050 ALUMIN.	<input type="checkbox"/> 16/20 COPPER			<input type="checkbox"/> YES
<input type="checkbox"/> OTHER	<input type="checkbox"/> ANODIZED			<input type="checkbox"/> NO
	<input type="checkbox"/> OTHER			

PROJECT:	FABRICATION WILL PROCEED ONLY AFTER RECEIPT OF SIGNED DRAWING APPROVAL <b>DRAWING APPROVAL</b> ARCHITECT AND /OR CONTRACTOR SHALL VERIFY ALL DIMENSIONS, SIZES AND QUANTITIES. ALL PRODUCTS TO BE INSTALLED IN STRICT ACCORDANCE WITH FAIRFIELD METAL'S PRINTED INSTRUCTIONS.  APPROVED BY _____ DATE _____
ARCHITECT:	
ROOFING CONTRACTOR:	
REPRESENTATIVE:	

 <b>Fairfield Metal</b> 9 Audrey Place, Fairfield, NJ 07004 Phone: 973-276-8440 www.fairfieldmetal.com	Drawing Title: <b>CONDUCTOR HEAD</b>	Drawing No. <b>SK-001</b>
	Drawn By: <b>MD</b>	Date: <b>05.04.2015</b>



MATERIAL		FINISH	COLOR	DIMENSION	QUANTITIES
<input type="checkbox"/> 24 GA. GALV.	<input type="checkbox"/> 16 OZ LCC	<input type="checkbox"/> KYNAR		A=	NO. UNITS
<input type="checkbox"/> .032 ALUMIN.	<input type="checkbox"/> 20 OZ LCC	<input type="checkbox"/> MILL FINISH		B=	
<input type="checkbox"/> .040 ALUMIN.	<input type="checkbox"/> 24 GA STAINLESS	<input type="checkbox"/> ENAMEL		C=	
<input type="checkbox"/> .050 ALUMIN.	<input type="checkbox"/> 26 GA STAINLESS	<input type="checkbox"/> ANODIZED			
<input type="checkbox"/> 16 OZ COPPER	<input type="checkbox"/>	<input type="checkbox"/> OTHER			
<input type="checkbox"/> 20 OZ COPPER	<input type="checkbox"/> OTHER				

PROJECT:

ARCHITECT:

ROOFING CONTRACTOR:


REPRESENTATIVE:

FABRICATION WILL PROCEED ONLY AFTER RECEIPT OF SIGNED DRAWING APPROVAL

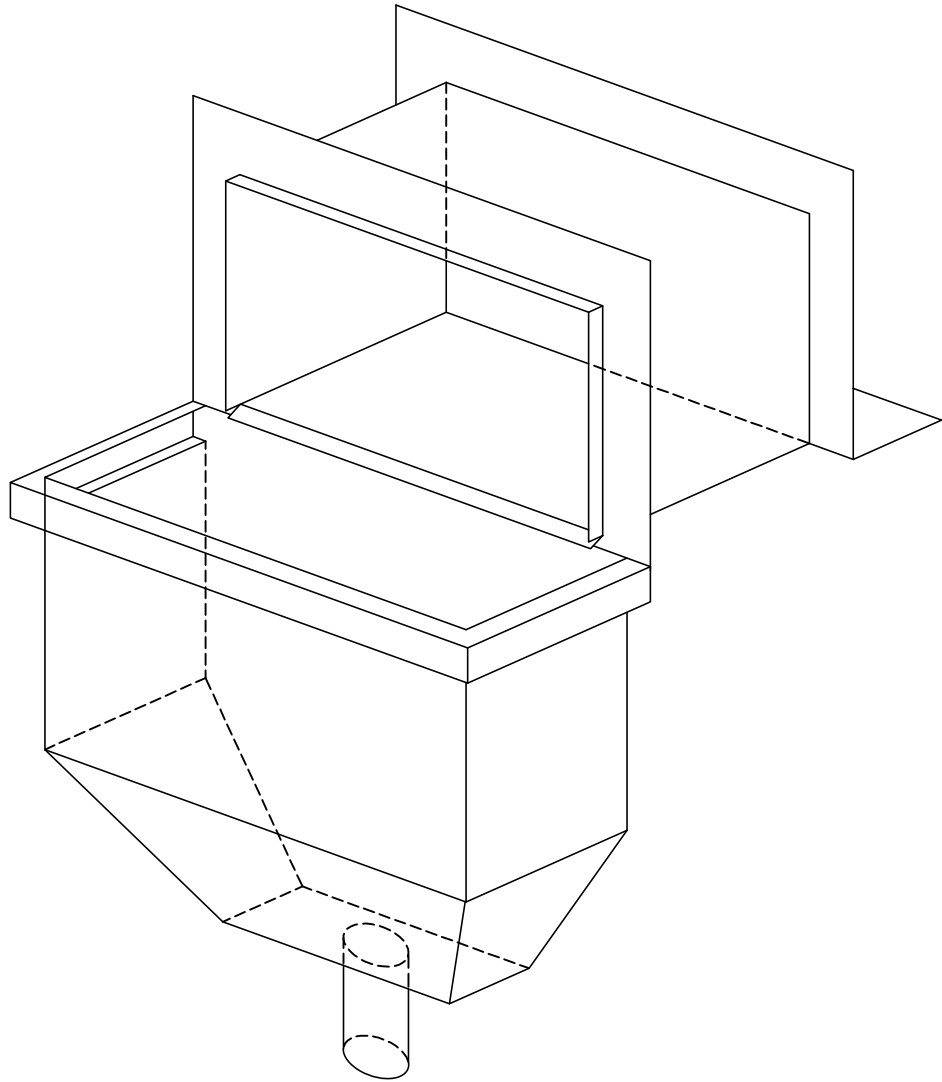
**DRAWING APPROVAL**

ARCHITECT AND /OR CONTRACTOR SHALL VERIFY ALL DIMENSIONS, SIZES AND QUANTITIES. ALL PRODUCTS TO BE INSTALLED IN STRICT ACCORDANCE WITH FAIRFIELD METAL'S PRINTED INSTRUCTIONS.

APPROVED BY \_\_\_\_\_ DATE \_\_\_\_\_

 <p><b>Fairfield Metal</b> 9 Audrey Place, Fairfield, NJ 07004 Phone: 973-276-8440 www.fairfieldmetal.com</p>	Drawing Title: <b>OVERFLOW SCUPPER</b>		Drawing No. <b>SK-002</b>
	Drawn By: <b>MD</b>	Date: <b>05.04.2015</b>	





PROJECT:

ARCHITECT:

ROOFING CONTRACTOR:

REPRESENTATIVE:

FABRICATION WILL PROCEED ONLY AFTER RECEIPT OF SIGNED DRAWING APPROVAL

**DRAWING APPROVAL**

ARCHITECT AND /OR CONTRACTOR SHALL VERIFY ALL DIMENSIONS, SIZES AND QUANTITIES. ALL PRODUCTS TO BE INSTALLED IN STRICT ACCORDANCE WITH FAIRFIELD METAL'S PRINTED INSTRUCTIONS.

APPROVED BY \_\_\_\_\_

DATE \_\_\_\_\_



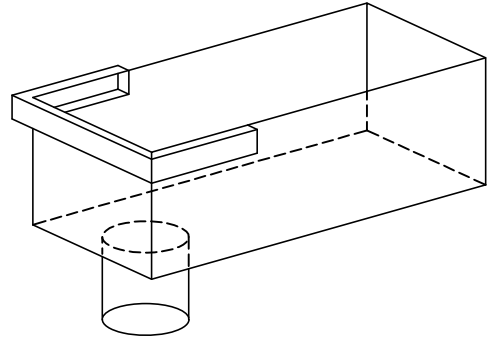
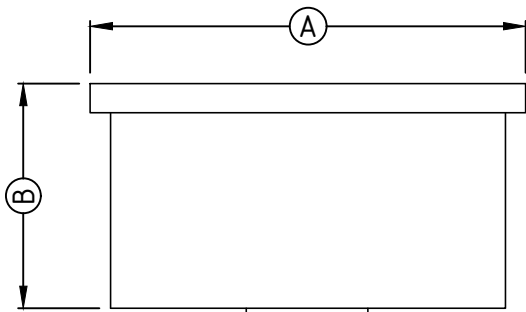
**Fairfield Metal**  
 9 Audrey Place, Fairfield, NJ 07004  
 Phone: 973-276-8440  
 www.fairfieldmetal.com

Drawing Title:  
**OVERFLOW SCUPPER CONDUCTOR HEAD**

Drawing No.  
**SK-003**

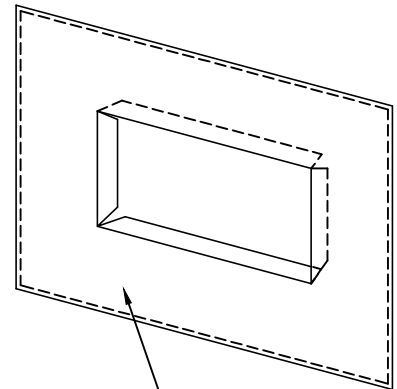
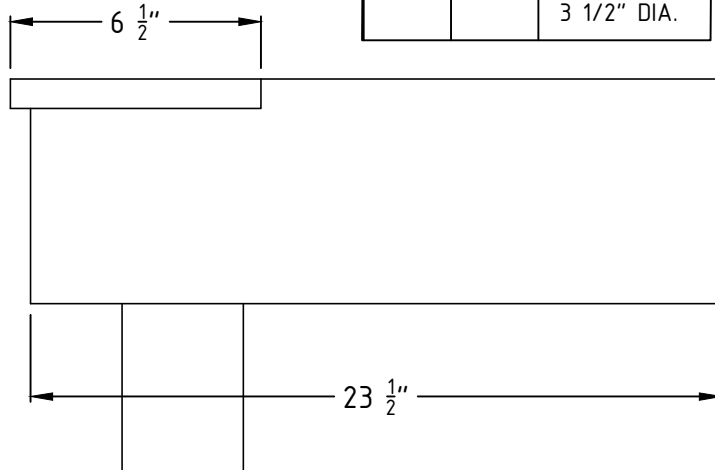
Drawn By: **MD**

Date: **05.04.2015**



STOCK SIZES

A	B	OUTLET
8"	8"	5 1/2"
6"	6"	4 1/2" DIA
		3 1/2" DIA.



2 1/2" TRIM RING-  
OPTIONAL

MATERIAL		FINISH	COLOR	DIMENSION	QUANTITIES
<input type="checkbox"/> 24 GA. GALV.	<input type="checkbox"/> 16 OZ LCC	<input type="checkbox"/> KYNAR		A=	NO. UNITS
<input type="checkbox"/> .032 ALUMIN.	<input type="checkbox"/> 20 OZ LCC	<input type="checkbox"/> MILL FINISH		B=	
<input type="checkbox"/> .040 ALUMIN.	<input type="checkbox"/> 24 GA STAINLESS	<input type="checkbox"/> ENAMEL		OUTLET=	
<input type="checkbox"/> .050 ALUMIN.	<input type="checkbox"/> 26 GA STAINLESS	<input type="checkbox"/> ANODIZED		TRIM <input type="checkbox"/> YES	
<input type="checkbox"/> 16 OZ COPPER	<input type="checkbox"/>	<input type="checkbox"/> OTHER		<input type="checkbox"/> NO	
<input type="checkbox"/> 20 OZ COPPER	<input type="checkbox"/> OTHER				

PROJECT: \_\_\_\_\_

ARCHITECT: \_\_\_\_\_

ROOFING CONTRACTOR: \_\_\_\_\_


REPRESENTATIVE: \_\_\_\_\_

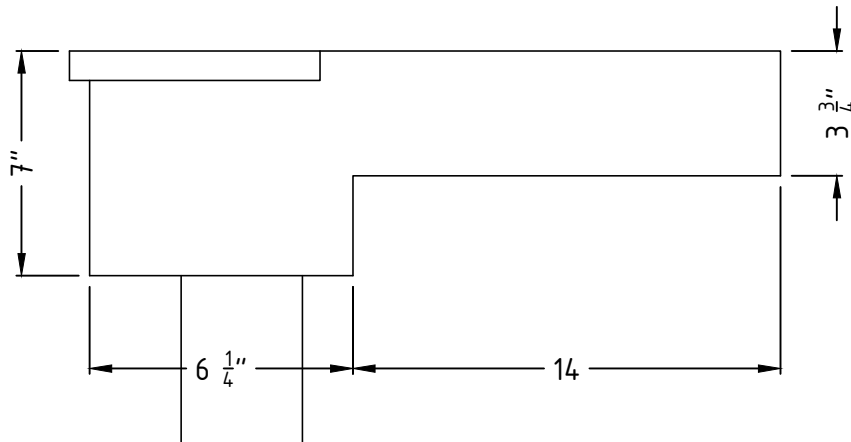
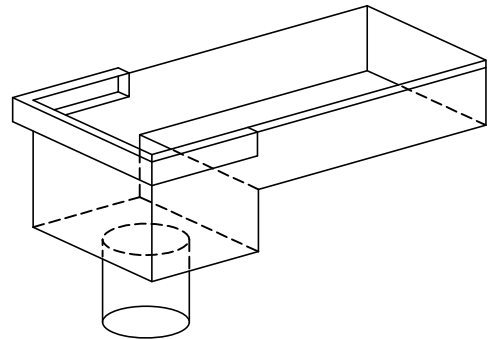
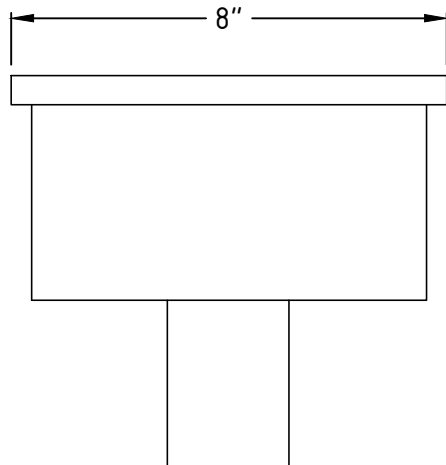
FABRICATION WILL PROCEED ONLY AFTER RECEIPT OF SIGNED DRAWING APPROVAL

**DRAWING APPROVAL**

ARCHITECT AND /OR CONTRACTOR SHALL VERIFY ALL DIMENSIONS, SIZES AND QUANTITIES. ALL PRODUCTS TO BE INSTALLED IN STRICT ACCORDANCE WITH FAIRFIELD METAL'S PRINTED INSTRUCTIONS.

APPROVED BY \_\_\_\_\_ DATE \_\_\_\_\_

 <p><b>Fairfield Metal</b> 9 Audrey Place, Fairfield, NJ 07004 Phone: 973-276-8440 www.fairfieldmetal.com</p>	Drawing Title: <b>STRAIGHT SCUPPER</b>		Drawing No. <b>SK-004</b>
	Drawn By: <b>MD</b>	Date: <b>05.04.2015</b>	



MATERIAL		FINISH	COLOR	DIMENSION	QUANTITIES
<input type="checkbox"/> 24 GA. GALV.	<input type="checkbox"/> 16 OZ LCC	<input type="checkbox"/> KYNAR		A=	NO. UNITS
<input type="checkbox"/> .032 ALUMIN.	<input type="checkbox"/> 20 OZ LCC	<input type="checkbox"/> MILL FINISH		B=	
<input type="checkbox"/> .040 ALUMIN.	<input type="checkbox"/> 24 GA STAINLESS	<input type="checkbox"/> ENAMEL		OUTLET=	
<input type="checkbox"/> .050 ALUMIN.	<input type="checkbox"/> 26 GA STAINLESS	<input type="checkbox"/> ANODIZED		TRIM <input type="checkbox"/> YES	
<input type="checkbox"/> 16 OZ COPPER	<input type="checkbox"/>	<input type="checkbox"/> OTHER		<input type="checkbox"/> NO	
<input type="checkbox"/> 20 OZ COPPER	<input type="checkbox"/> OTHER				

PROJECT:

ARCHITECT:

ROOFING CONTRACTOR:


REPRESENTATIVE:

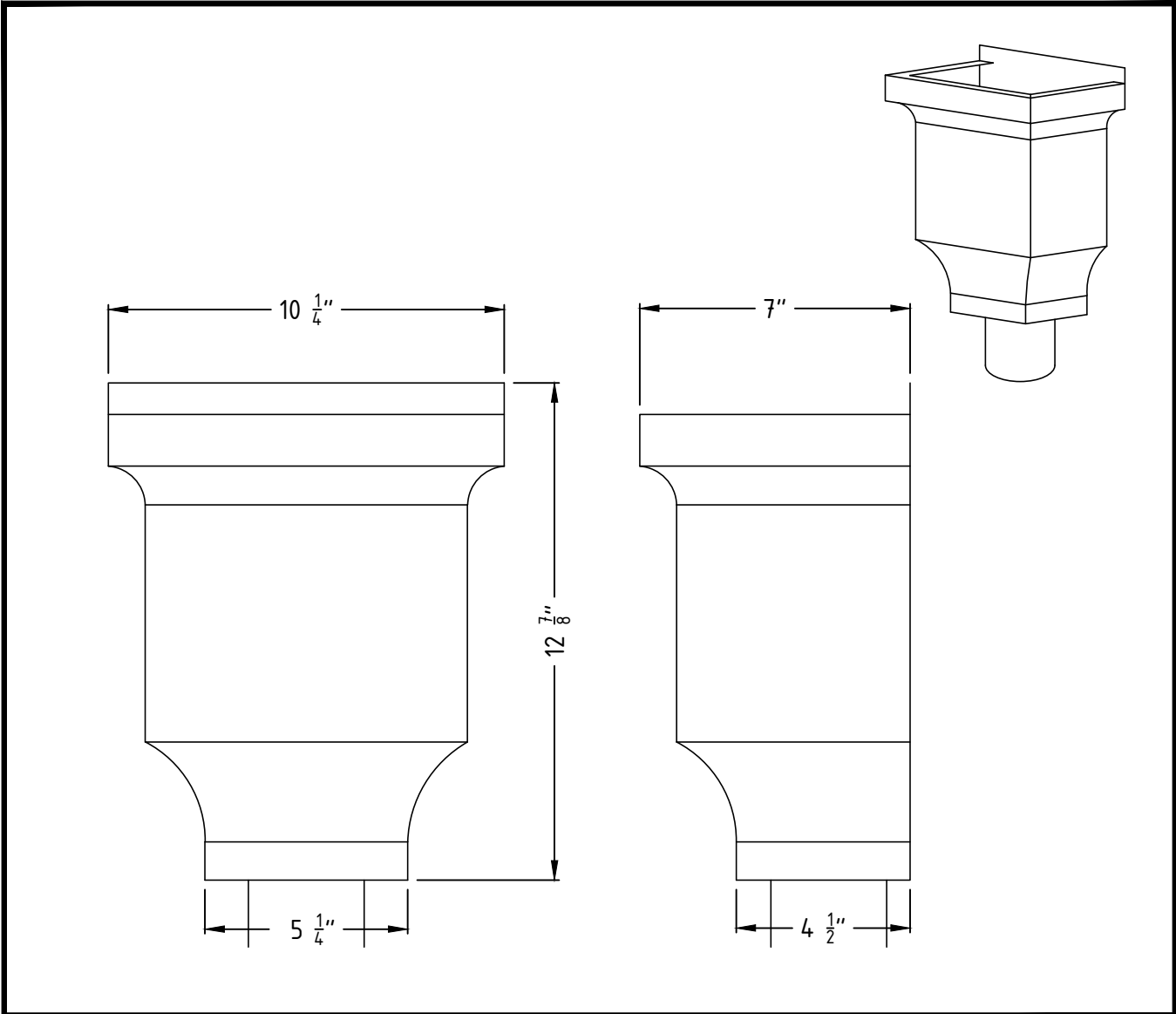
FABRICATION WILL PROCEED ONLY AFTER RECEIPT OF SIGNED DRAWING APPROVAL

**DRAWING APPROVAL**

ARCHITECT AND /OR CONTRACTOR SHALL VERIFY ALL DIMENSIONS, SIZES AND QUANTITIES. ALL PRODUCTS TO BE INSTALLED IN STRICT ACCORDANCE WITH FAIRFIELD METAL'S PRINTED INSTRUCTIONS.

APPROVED BY \_\_\_\_\_ DATE \_\_\_\_\_

 <p><b>Fairfield Metal</b> 9 Audrey Place, Fairfield, NJ 07004 Phone: 973-276-8440 www.fairfieldmetal.com</p>	Drawing Title: <b>OFFSET SCUPPER</b>		Drawing No. <b>SK-005</b>
	Drawn By: <b>MD</b>	Date: <b>05.04.2015</b>	



MATERIAL		FINISH		COLOR	DIMENSION	QUANTITIES
<input type="checkbox"/> 16 OZ COPPER		<input type="checkbox"/> KYNAR			A=	NO. UNITS
<input type="checkbox"/> 20 OZ COPPER		<input type="checkbox"/> MILL FINISH			B=	
<input type="checkbox"/> 16 OZ LCC		<input type="checkbox"/> ENAMEL			OUTLET <input type="checkbox"/> 3"	
<input type="checkbox"/> 20 OZ LCC		<input type="checkbox"/> ANODIZED			<input type="checkbox"/> 4"	
<input type="checkbox"/>		<input type="checkbox"/> OTHER				
<input type="checkbox"/> OTHER						

PROJECT: \_\_\_\_\_

ARCHITECT: \_\_\_\_\_

ROOFING CONTRACTOR: \_\_\_\_\_


REPRESENTATIVE: \_\_\_\_\_

FABRICATION WILL PROCEED ONLY AFTER RECEIPT OF SIGNED DRAWING APPROVAL

**DRAWING APPROVAL**

ARCHITECT AND /OR CONTRACTOR SHALL VERIFY ALL DIMENSIONS, SIZES AND QUANTITIES. ALL PRODUCTS TO BE INSTALLED IN STRICT ACCORDANCE WITH FAIRFIELD METAL'S PRINTED INSTRUCTIONS.

APPROVED BY \_\_\_\_\_ DATE \_\_\_\_\_

 <p><b>Fairfield Metal</b> 9 Audrey Place, Fairfield, NJ 07004 Phone: 973-276-8440 www.fairfieldmetal.com</p>	Drawing Title: <b>WESTFIELD LEADER HEAD</b>		Drawing No. <b>SK-006</b>
	Drawn By: <b>MD</b>	Date: <b>05.04.2015</b>	