



Model	Voltage	Hz	HP	kW	SCFM	Pressure mbar "H2O	Vacuum mbar "H2O	Noise Level	Net Weight kg lbs
RBH3-101-1	1	60	1.1	.85	105	144 58	148 59	64 db(A)	15.5 35
RBH3-101-3	3	50	.75	.87	87	139 56	148 59	63 db(A)	15.5 35
RBH3-2-2	2	60	2	1.5	105	224 90	205 82	64 db(A)	19 43
RBH3-2-3	3	50	1.3	.87	87	202 81	180 72	63 db(A)	19 43

*Refer to curves below for detailed performance data. Performance data and product specifications are subject to change without prior notice. Actual performance may vary by ±10%.

STANDARD FEATURES

- Housing - Aluminum
- Impeller - Aluminum, dynamically balanced
- Direct drive impeller
- Shock absorbing mounting base
- Quiet operation - below OSHA limits
- Inlet & outlet silencers included
- Motor shaft seal standard
- IP 54 TEFC 2 pole squirrel cage ac motor
- 40 Deg C ambient
- Class H insulation 1.15 service factor
- Performance tested ANSI/AMCA210-85
- Voltage
 - 1 = 1/60/50/115/230
 - 2 = 1/60/50/230
 - 3 = 3/60/208-230/460 3/50/220/380

3/60/208-230/460 & 3/50/220/380

RBH3-101-3 replaces HB-329
RBH3-2-3 replaces HB-339

1/60/115/230 & 1/50/220

RBH3-101-1 replaces HB-329-1
RBH3-2-2 replaces HB-339-1



ACCESSORIES

Note: To obtain warranty coverage on the blower a relief valve and filter are required.

Pressure Relief Valve RV-01
Pressure Relief Valve RVA-01

Vacuum Relief Valve RV-01
Vacuum Relief Valve RVA-01

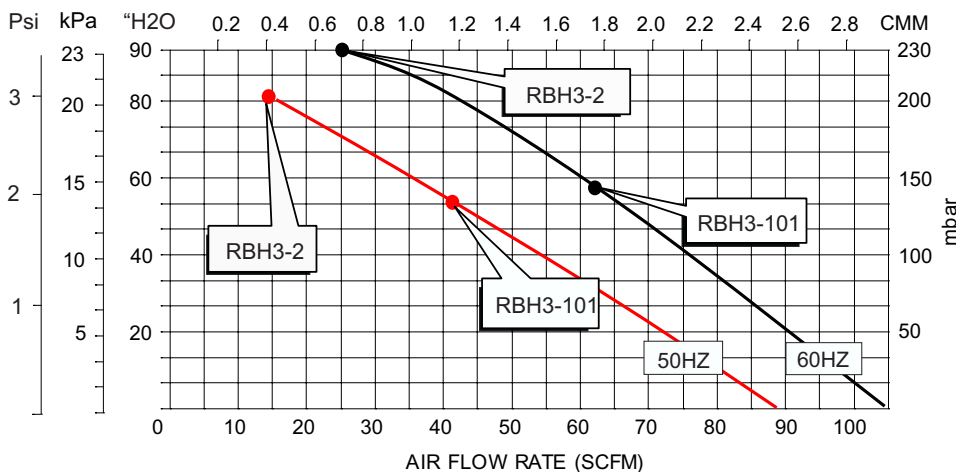
Pressure Intake Air Filter F19P-150
Vacuum Air Filter CSL-849-150HC

Registered and approved by one or more of these standards agency

TECHNICAL DATA

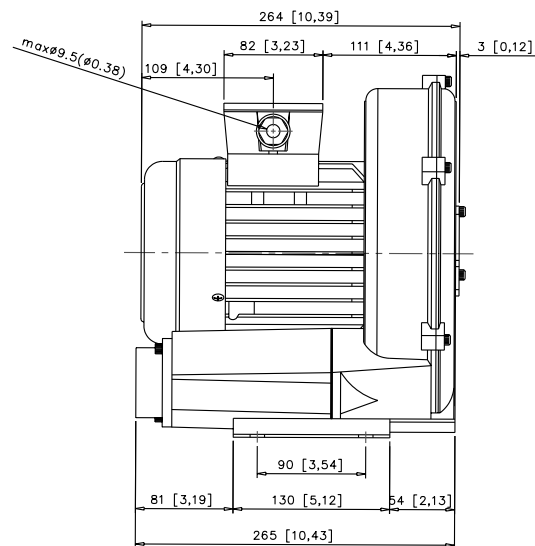
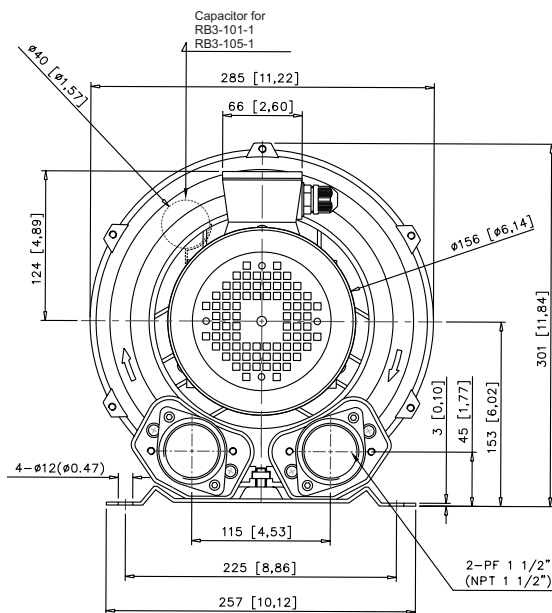
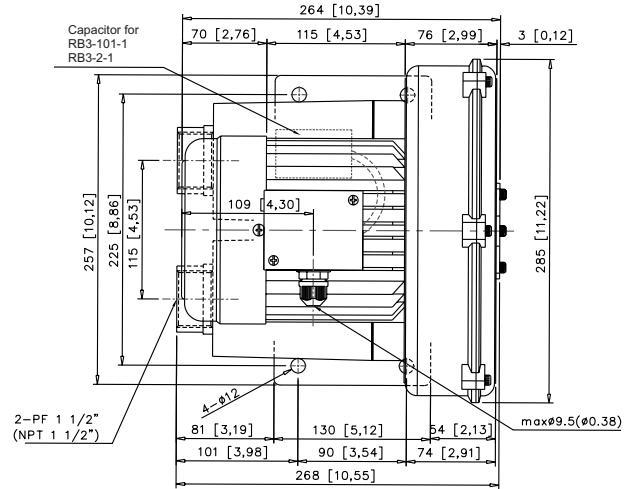
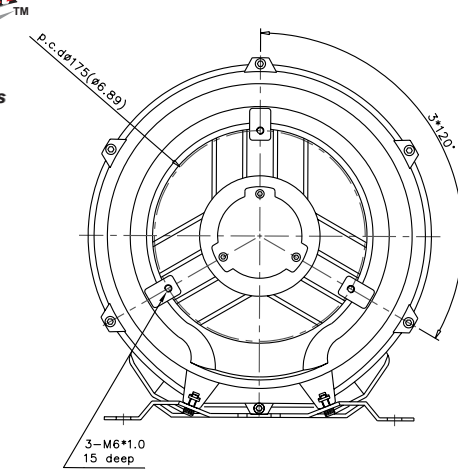
- [Available online www.all-star-usa.com]
- Performance Temperature Rise Curves
- AutoCad files
- Parts List
- Full load amperage

PRESSURE DATA CURVES ±10%
[See reverse side for Vacuum Curves]





RB3-101-3 / RBH3-101-3
RB3-101-1 / RBH3-101-1



VACUUM DATA CURVES

