



DESIGN JOINERY

est. 1980



FLATPACK SPECIFICATION GUIDE

*To be used in conjunction with your current pricing guide

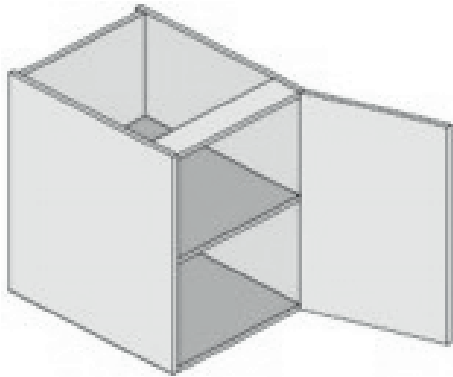
Proudly Australian owned & operated



DEEP BASE UNIT (DB) 720 HIGH X 560 DEEP—16mm VOID

WIDTH FROM 300mm—1200mm.

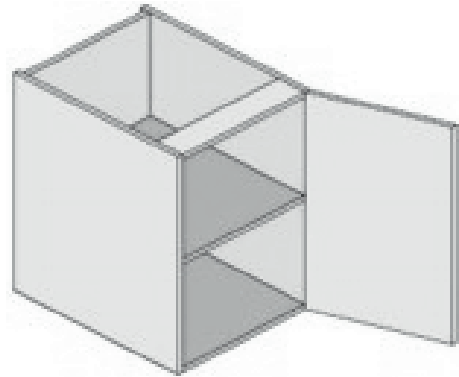
SUPPLIED WITH 1 ADJ SHELF



SHALLOW BASE UNIT (SB) 720 HIGH X 430 DEEP—16mm VOID

WIDTH FROM 300mm—1200mm.

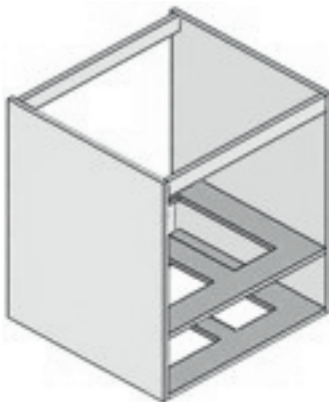
SUPPLIED WITH 1 ADJ SHELF



DEEP BASE U/BENCH (DBUB) 720 HIGH X 560 DEEP—16mm VOID

WIDTH FROM 600mm—900mm.

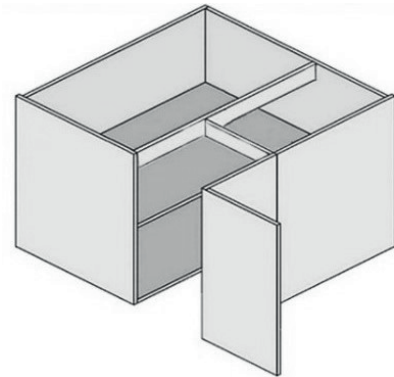
SUPPLIED WITH 1 ADJ VENTED SHELF



DEEP BASE CNR EXT. (DBCE) 720 HIGH X 560 DEEP—16mm VOID

WIDTH FROM 900mm—1200mm.

SUPPLIED WITH 1 ADJ SHELF

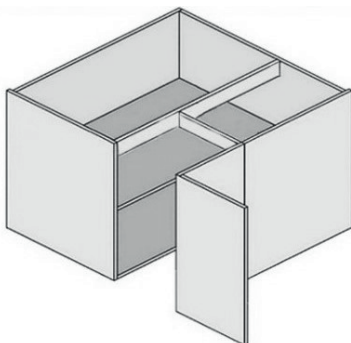


*Please supply a detailed drawing when ordering this item.

DEEP BASE CNR (DBC) 720 HIGH X 560 DEEP—16mm VOID

WIDTH FROM 800mm—1200mm.

SUPPLIED WITH 1 ADJ SHELF

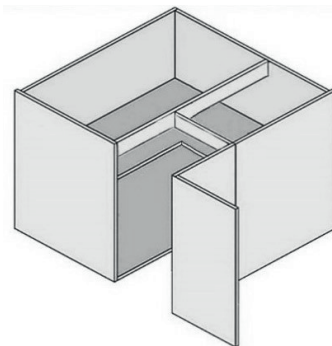


*Please supply a detailed drawing when ordering this item.

DEEP BASE CNR SETBK (DBCS) 720 HIGH X 560 DEEP—16mm VOID

WIDTH FROM 800mm—1200mm.

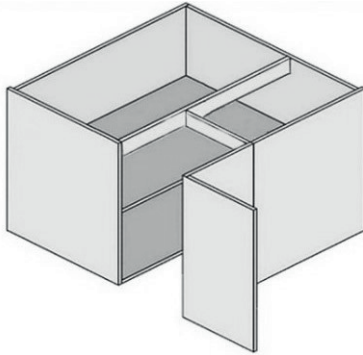
SUPPLIED WITH 1 ADJ SHELF



*Please supply a detailed drawing when ordering this item.

*Please note: adjustable shelf is set back 140mm from front edge.

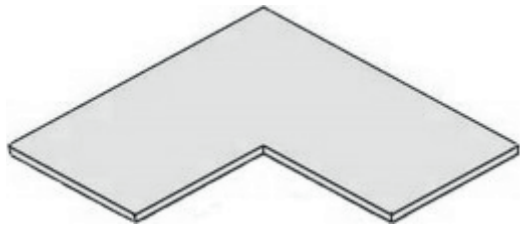
DP BASE CNR SETBK EXT. (DBCES)	720 HIGH X 560 DEEP—16mm VOID
WIDTH FROM 900mm—1200mm.	SUPPLIED WITH 1 ADJ SHELF



*Please supply a detailed drawing when ordering this item.

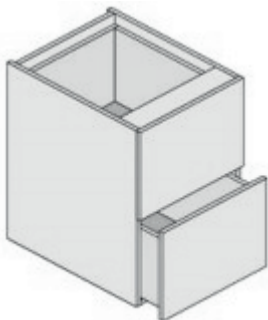
*Please note: adjustable shelf is set back 140mm from front edge.

CORNER SHELVES ONLY (CS & CSE)	PRICED PER M2
---	----------------------



*Please supply a detailed drawing when ordering this item.

DEEP BASE DRAWER (DBD2)	720 HIGH X 560 DEEP—16mm VOID
WIDTH FROM 300mm—1200mm.	PROVIDE DRAWER HEIGHTS & RUNNER DETAILS

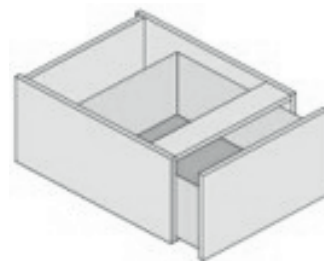


UNIVERSAL PANEL EDGED (UPE)	PRICED PER M2
SIZE LIMIT = 2400mm X 1200mm	

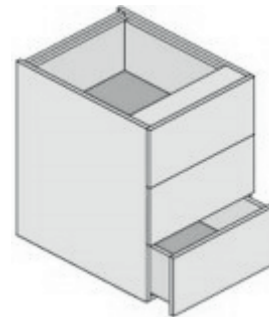


*Please supply edging details for this item.

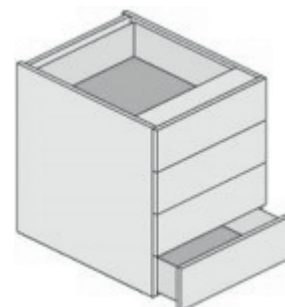
DEEP BASE DRAWER (DBD1)	280 HIGH X 560 DEEP—16mm VOID
WIDTH FROM 300mm—1200mm.	PROVIDE DRAWER HEIGHTS & RUNNER DETAILS



DEEP BASE DRAWER (DBD3)	720 HIGH X 560 DEEP—16mm VOID
WIDTH FROM 300mm—1200mm.	PROVIDE DRAWER HEIGHTS & RUNNER DETAILS



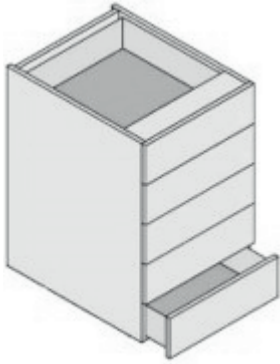
DEEP BASE DRAWER (DBD4)	720 HIGH X 560 DEEP—16mm VOID
WIDTH FROM 300mm—1200mm.	PROVIDE DRAWER HEIGHTS & RUNNER DETAILS



DEEP BASE DRAWER (DBD5) 720 HIGH X 560 DEEP—16mm VOID

WIDTH FROM 300mm—1200mm.

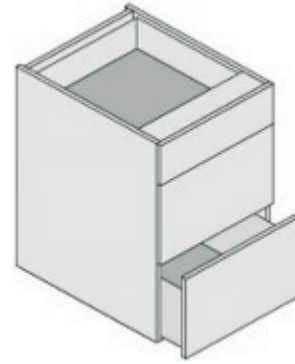
PROVIDE DRAWER HEIGHTS & RUNNER DETAILS



DEEP BASE DRAWER (DBD3A) 720 HIGH X 560 DEEP—16mm VOID

WIDTH FROM 300mm—1200mm.

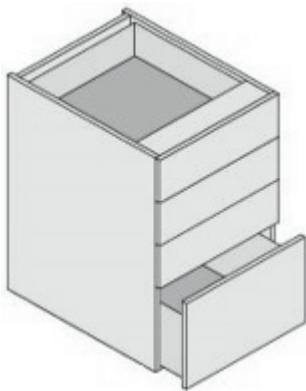
PROVIDE DRAWER HEIGHTS & RUNNER DETAILS



DEEP BASE DRAWER (DBD4A) 720 HIGH X 560 DEEP—16mm VOID

WIDTH FROM 300mm—1200mm.

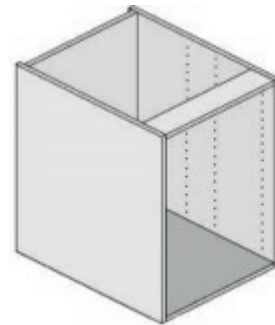
PROVIDE DRAWER HEIGHTS & RUNNER DETAILS



UNIVERSAL DRAWER (DBDU) 720 HIGH X 560 DEEP—16mm VOID

WIDTH FROM 300mm—1200mm.

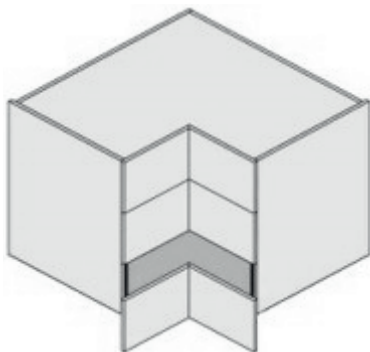
NO BACKS/BOTTOMS SUPPLIED



DEEP BASE CNR DRAWER (DBCD) 720 HIGH X 560 DEEP—16mm VOID

WIDTH FROM 900mm—1000mm.

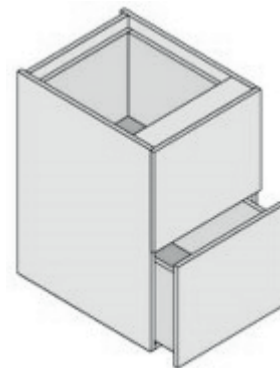
PROVIDE DRAWER HEIGHTS & RUNNER DETAILS



SHALLOW DRAWER (SBD2) 720 HIGH X 430 DEEP—16mm VOID

WIDTH FROM 300mm—1200mm.

PROVIDE DRAWER HEIGHTS & RUNNER DETAILS

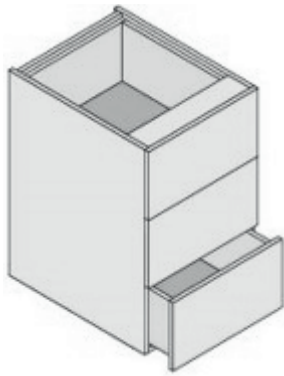


*Please supply a detailed drawing when ordering this item.

SHALLOW DRAWER (SBD3) 720 HIGH X 430 DEEP—16mm VOID

WIDTH FROM 300mm—1200mm.

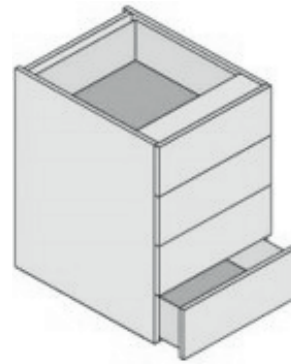
PROVIDE DRAWER HEIGHTS & RUNNER DETAILS



SHALLOW DRAWER (SBD4) 720 HIGH X 430 DEEP—16mm VOID

WIDTH FROM 300mm—1200mm.

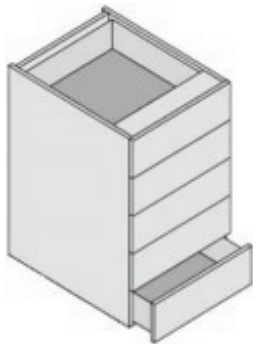
PROVIDE DRAWER HEIGHTS & RUNNER DETAILS



SHALLOW DRAWER (SBD5) 720 HIGH X 430 DEEP—16mm VOID

WIDTH FROM 300mm—1200mm.

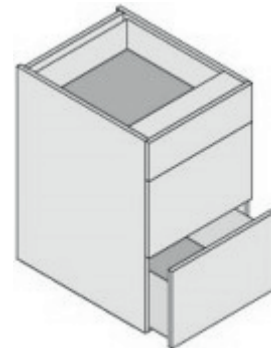
PROVIDE DRAWER HEIGHTS & RUNNER DETAILS



SHALLOW DRAWER (SBD3A) 720 HIGH X 430 DEEP—16mm VOID

WIDTH FROM 300mm—1200mm.

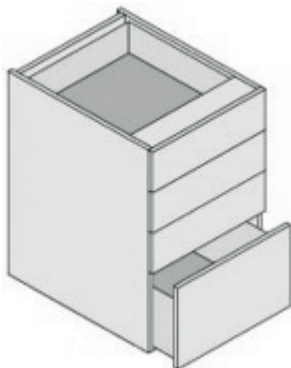
PROVIDE DRAWER HEIGHTS & RUNNER DETAILS



SHALLOW DRAWER (SBD4A) 720 HIGH X 430 DEEP—16mm VOID

WIDTH FROM 300mm—1200mm.

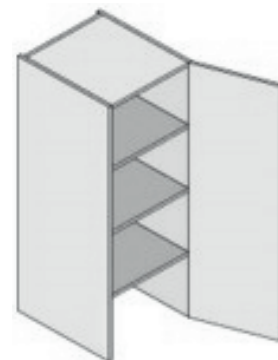
PROVIDE DRAWER HEIGHTS & RUNNER DETAILS

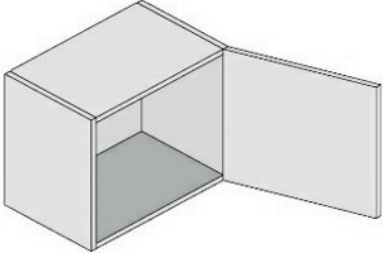


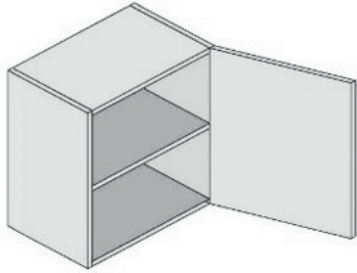
APPLIANCE UNIT (AP) 1245 HIGH X 500 DEEP—16mm VOID

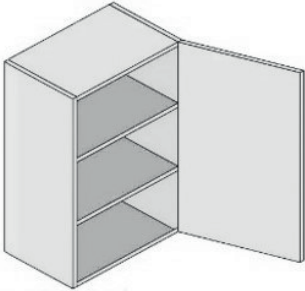
WIDTH FROM 300mm—1200mm.

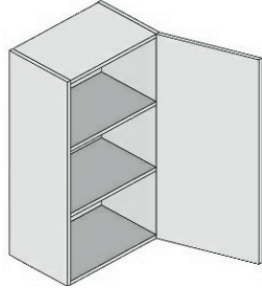
SUPPLIED WITH 3 ADJ SHELVES

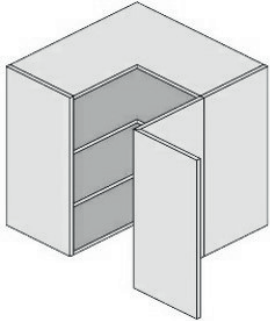


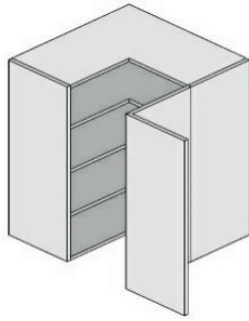
FRIDGE WALL (FW)	400 HIGH X 300 DEEP—NO VOID
WIDTH FROM 300mm—1200mm.	<i>NO ADJUSTABLE SHELF SUPPLIED</i>
	

INTERMEDIATE WALL (IW)	520 HIGH X 300 DEEP—NO VOID
WIDTH FROM 300mm—1200mm.	<i>SUPPLIED WITH 1 ADJ SHELF</i>
	

REGULAR WALL (RW)	720 HIGH X 300 DEEP—NO VOID
WIDTH FROM 300mm—1200mm.	<i>SUPPLIED WITH 2 ADJ SHELVES</i>
	

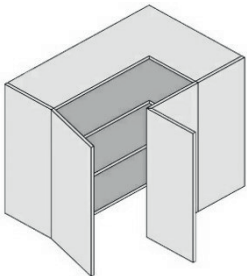
HIGH WALL (HW)	920 HIGH X 300 DEEP—NO VOID
WIDTH FROM 300mm—1200mm.	<i>SUPPLIED WITH 2 ADJ SHELVES</i>
	

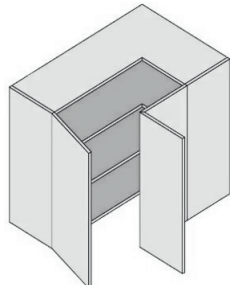
REGULAR WALL CNR (RWC)	720 HIGH X 300 DEEP—16mm VOID
WIDTH 600mm X 600mm.	<i>SUPPLIED WITH 2 ADJ SHELVES</i>
	

HIGH WALL CNR (HWC)	920 HIGH X 300 DEEP—16mm VOID
WIDTH 600mm X 600mm.	<i>SUPPLIED WITH 2 ADJ SHELVES</i>
	

*Please supply a detailed drawing when ordering this item.

*Please supply a detailed drawing when ordering this item.

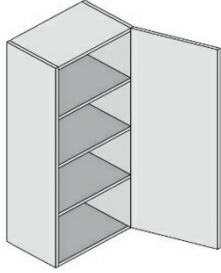
REG. WALL CNR EXTEND. (RWCE)	720 HIGH X 300 DEEP—16mm VOID
WIDTH FROM 600mm—900mm.	<i>SUPPLIED WITH 2 ADJ SHELVES</i>
	

HIGH WALL CNR EXTEND. (HWCE)	920 HIGH X 300 DEEP—16mm VOID
WIDTH FROM 600mm—900mm.	<i>SUPPLIED WITH 2 ADJ SHELVES</i>
	

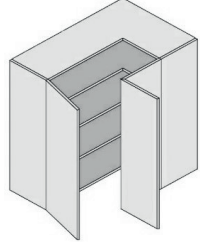
*Please supply a detailed drawing when ordering this item.

*Please supply a detailed drawing when ordering this item.

TALL WALL (TW)	1070 HIGH X 300 DEEP—NO VOID
WIDTH FROM 300mm—1200mm.	<i>SUPPLIED WITH 3 ADJ SHELVES</i>

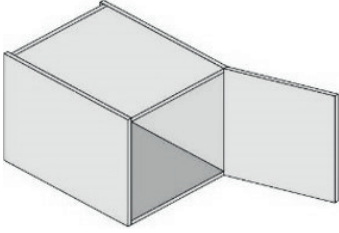


TALL WALL CNR (TWC)	1070 HIGH X 300 DEEP—16mm VOID
WIDTH 600mm X 600mm.	<i>SUPPLIED WITH 3 ADJ SHELVES</i>

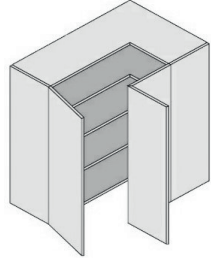


**Please supply a detailed drawing when ordering this item.*

DEEP LINEN TOP SHRT (DLTS)	450 HIGH X 560 DEEP—16mm VOID
WIDTH FROM 300mm—1200mm.	<i>NO ADJUSTABLE SHELF SUPPLIED</i>

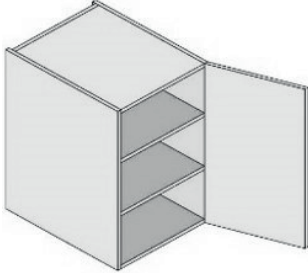


TALL WALL CNR EXTEND. (TWCE)	1070 HIGH X 300 DEEP—16mm VOID
WIDTH 600mm X 900mm.	<i>SUPPLIED WITH 3 ADJ SHELVES</i>

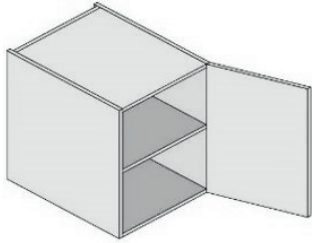


**Please supply a detailed drawing when ordering this item.*

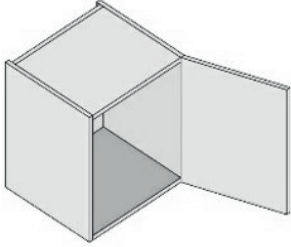
DEEP LINEN TOP HIGH (DLTH)	750 HIGH X 560 DEEP—16mm VOID
WIDTH FROM 300mm—1200mm.	<i>SUPPLIED WITH 2 ADJ SHELVES</i>

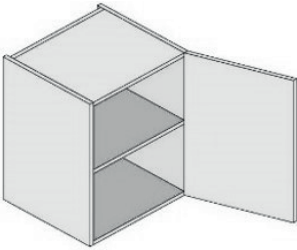


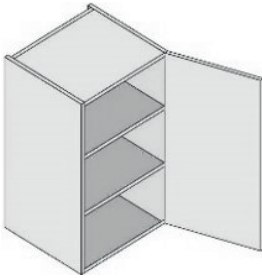
DEEP LINEN TOP MED (DLTM)	600 HIGH X 560 DEEP—16mm VOID
WIDTH FROM 300mm—1200mm.	<i>SUPPLIED WITH 1 ADJ SHELF</i>

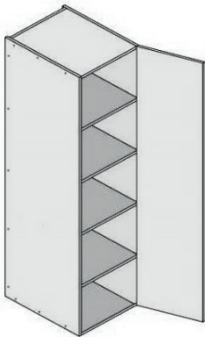


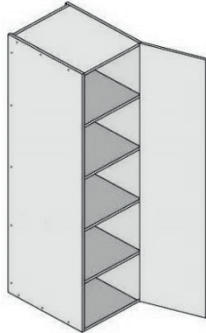
SHALLOW LINEN TOP SHRT (SLTS)	450 HIGH X 400 DEEP—16mm VOID
WIDTH FROM 300mm—1200mm.	<i>NO ADJUSTABLE SHELF SUPPLIED</i>




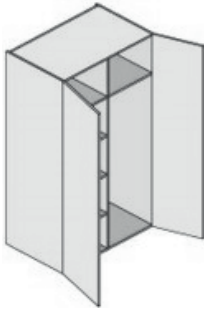
SHALLOW LINEN TOP MED (SLTM)	600 HIGH X 400 DEEP—16mm VOID
WIDTH FROM 300mm—1200mm.	<i>SUPPLIED WITH 1 ADJ SHELF</i>
	

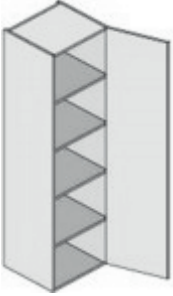
SHALLOW LINEN TOP HIGH (SLTH)	750 HIGH X 400 DEEP—16mm VOID
WIDTH FROM 300mm—1200mm.	<i>SUPPLIED WITH 2 ADJ SHELVES</i>
	


DEEP LINEN (DL)	1800 HIGH X 560 DEEP—16mm VOID
WIDTH FROM 300mm—1200mm.	<i>SUPPLIED WITH 4 ADJ SHELVES</i>
	


DEEP LINEN TALL (DLT)	2200 HIGH X 560 DEEP—16mm VOID
WIDTH FROM 300mm—1200mm.	<i>SUPPLIED WITH 5 ADJ SHELVES</i>
	

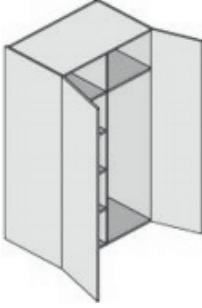
DEEP LINEN BROOM (DLB)	1800 HIGH X 560 DEEP—16mm VOID
WIDTH FROM 300mm—1200mm.	<i>SUPPLIED WITH 1 ADJ SHELF</i>
	

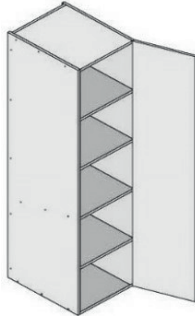
DP LINEN BROOM DBLE (DLBD)	1800 HIGH X 560 DEEP—16mm VOID
WIDTH FROM 600mm—1200mm.	<i>FIXED DIVISION, SUPPLIED WITH 5 ADJ SHELVES</i>
	
*Please supply a detailed drawing when ordering this item.	

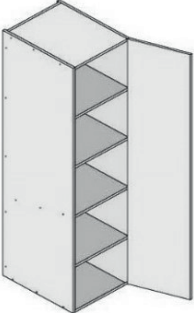
SHALLOW LINEN (SL)		1800 HIGH X 400 DEEP—16mm VOID	
WIDTH FROM 300mm—1200mm.	<i>SUPPLIED WITH 4 ADJ SHELVES</i>		
			

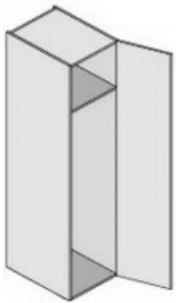
SHALLOW LINEN TALL (SLT)		2200 HIGH X 400 DEEP—16mm VOID	
WIDTH FROM 300mm—1200mm.	<i>SUPPLIED WITH 5 ADJ SHELVES</i>		
			

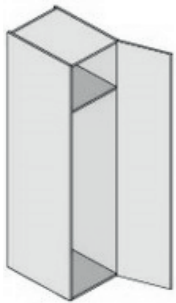
SHALLOW BROOM (SBR)		2000 HIGH X 400 DEEP—16mm VOID	
WIDTH FROM 300mm—1200mm.	<i>SUPPLIED WITH 1 ADJ SHELF</i>		
			

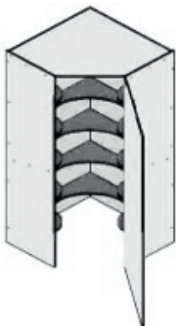
SHALLOW LIN. BRM. TALL (SLBD)		1800 HIGH X 400 DEEP—16mm VOID	
WIDTH FROM 600mm—1200mm.	<i>FIXED DIVISION, SUPPLIED WITH 5 ADJ SHELVES</i>		
			
*Please supply a detailed drawing when ordering this item.			

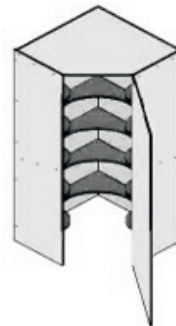
DEEP PANTRY (DP)		2000 HIGH X 560 DEEP—16mm VOID	
WIDTH FROM 300mm—1200mm.	<i>SUPPLIED WITH 1 FIX, 3 ADJ SHELF</i>		
			

DEEP PANTRY TALL (DPT)		2200 HIGH X 560 DEEP—16mm VOID	
WIDTH FROM 300mm—1200mm.	<i>SUPPLIED WITH 1 FIX, 4 ADJ SHELF</i>		
			

DEEP BROOM (DBR)		2000 HIGH X 560 DEEP—16mm VOID	
WIDTH FROM 300mm—1200mm.	SUPPLIED WITH 1 ADJ SHELF		
			

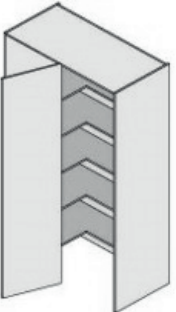
DEEP BROOM TALL (DBRT)		2200 HIGH X 560 DEEP—16mm VOID	
WIDTH FROM 300mm—1200mm.	SUPPLIED WITH 1 ADJ SHELF		
			

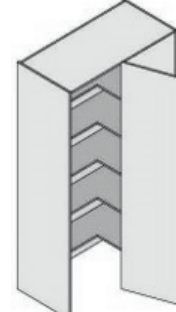
DEEP CNR PANTRY (DCP)		2150 HIGH X 560 DEEP—16mm VOID	
WIDTH FROM 1000mm—1200mm.	SUPPLIED WITH 1 FIX, 4 ADJ SHELVES		
			

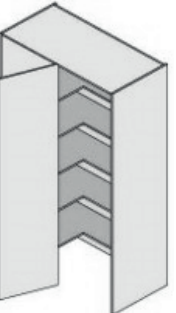
DEEP CNR PNTRY TALL (DCPT)		2350 HIGH X 560 DEEP—16mm VOID	
WIDTH FROM 1000mm—1200mm.	SUPPLIED WITH 1 FIX, 5 ADJ SHELVES		
			

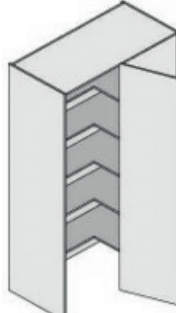
*Please supply a detailed drawing when ordering this item.

*Please supply a detailed drawing when ordering this item.

DEEP PANTRY BLANK L (DPBL)		2150 HIGH X 560 DEEP—16mm VOID	
WIDTH FROM 1100mm—1200mm.	SUPPLIED WITH 1 FIX, 4 ADJ SHELVES		
			

DEEP PANTRY BLANK R (DPBR)		2150 HIGH X 560 DEEP—16mm VOID	
WIDTH FROM 1100mm—1200mm.	SUPPLIED WITH 1 FIX, 4 ADJ SHELVES		
			

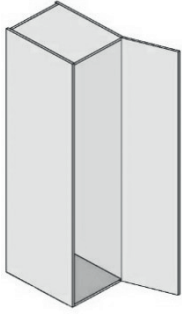
DEEP PNTRY BLNK TALL L (DPBTL)		2350 HIGH X 560 DEEP—16mm VOID	
WIDTH FROM 1100mm—1200mm.	SUPPLIED WITH 1 FIX, 5 ADJ SHELVES		
			

DEEP PNTRY BLNK TALL R (DPBTR)		2350 HIGH X 560 DEEP—16mm VOID	
WIDTH FROM 1100mm—1200mm.	SUPPLIED WITH 1 FIX, 5 ADJ SHELVES		
			

DEEP WARDROBE 2000 HIGH X 560 DEEP—16mm VOID

WIDTH FROM 300mm—1200mm.

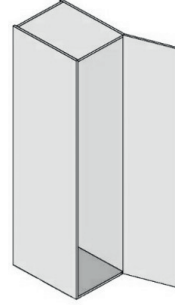
NO SHELF HOLES OR SHELVES SUPPLIED

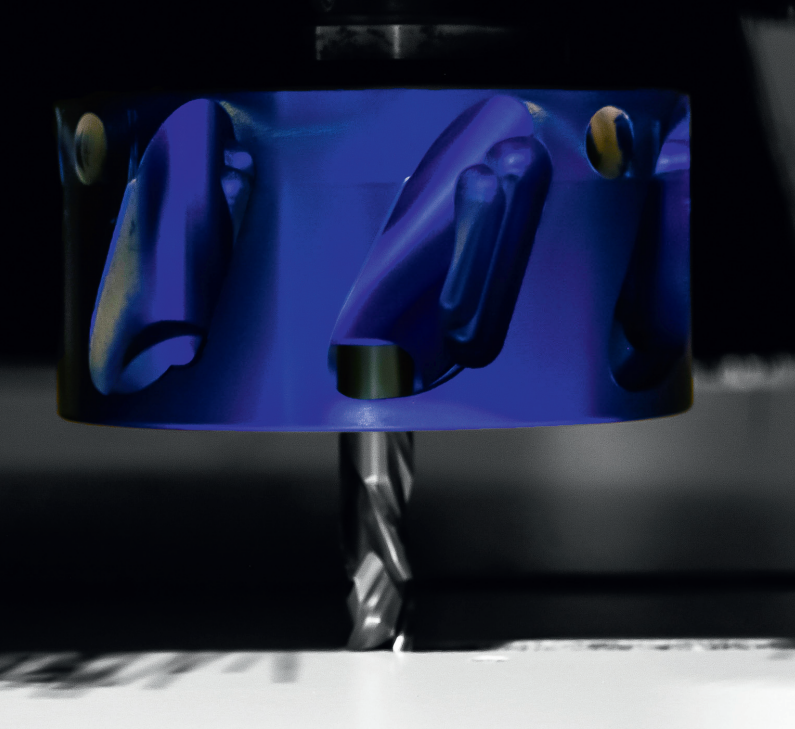


DEEP WARDROBE TALL 2200 HIGH X 560 DEEP—16mm VOID

WIDTH FROM 300mm—1200mm.

NO SHELF HOLES OR SHELVES SUPPLIED





DESIGN JOINERY AND DOORS



11 MCGOWAN ST
POORAKA SA 5095



(08) 8359 5655



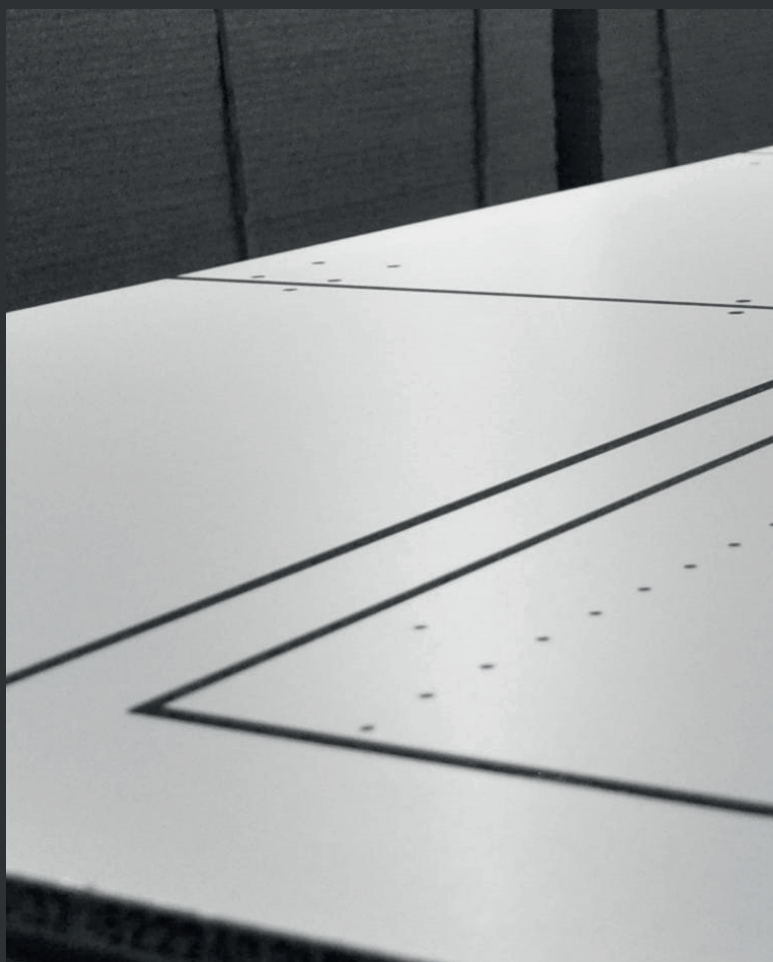
SALES@DESIGNJOINERY.COM.AU



DESIGNJOINERY.COM.AU



DESIGNJOINERY



Please visit www.designjoinery.com.au/flatpack-carcases for a free online download of our spec guide.

Design Joinery's range also includes:

- Solid timber cabinet doors
- Solid timber bench tops
- Solid timber mouldings & accessories
- Specialist joinery services
- 2 pack polyurethane paint service
- High impact edge melamine doors