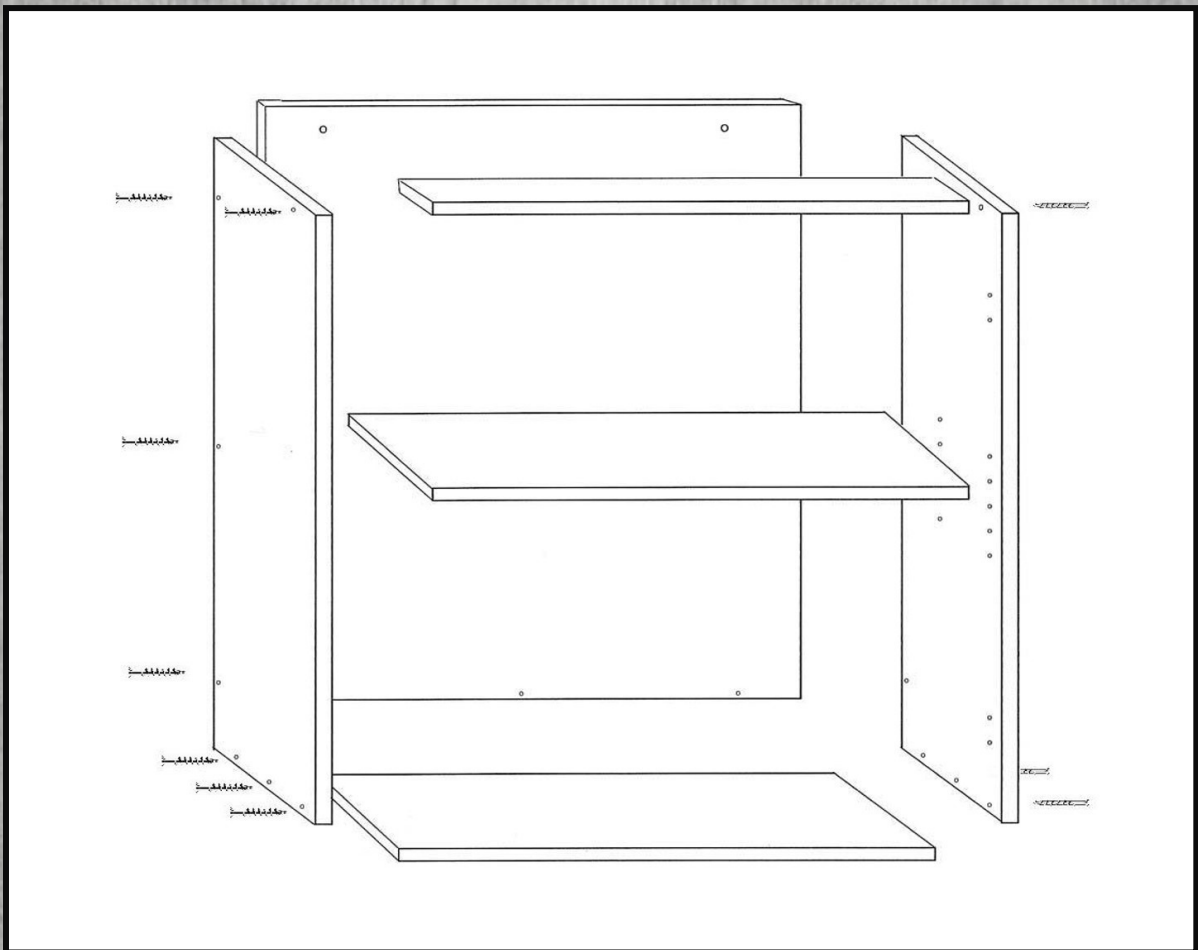


Flatpack Specification Guide

Current as at 1st October 2021

DESIGN JOINERY
est. 1980

*To be used in conjunction with your current pricing guide



DESIGN JOINERY AND DOORS | 11 MCGOWAN ST, POORAKA SA 5095 | P: (08) 8359 5655 | E: sales@designjoinery.com.au

Please visit www.designjoinery.com.au/flatpack-carcases for a free online download of our spec guide.

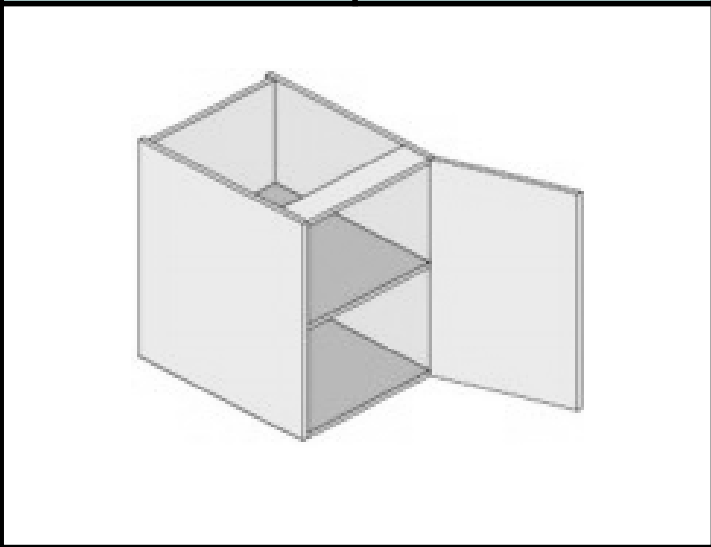
Design Joinery's range also includes:

- Solid timber cabinet doors
- Solid timber mouldings & accessories
- 2 pack polyurethane paint service
- Solid timber bench tops
- Specialist joinery services
- High impact edge melamine doors

DEEP BASE UNIT (DB) 720 HIGH X 560 DEEP—16mm VOID

WIDTH FROM 300mm—1200mm.

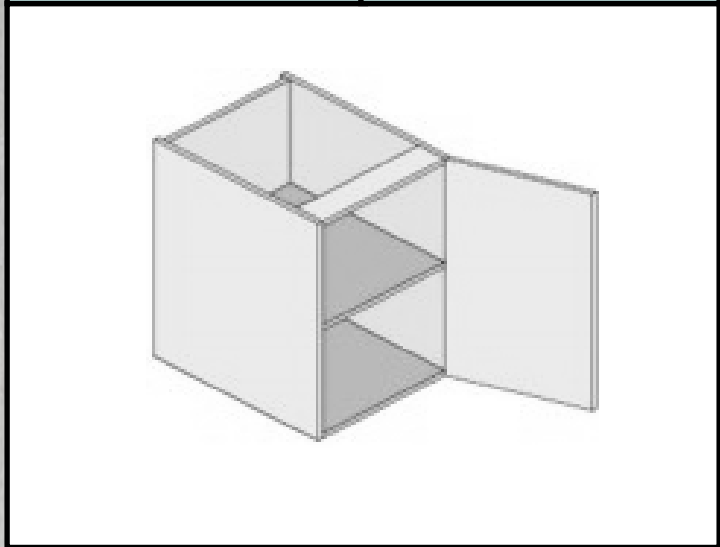
SUPPLIED WITH 1 ADJ SHELF



SHALLOW BASE UNIT (SB) 720 HIGH X 430 DEEP—16mm VOID

WIDTH FROM 300mm—1200mm.

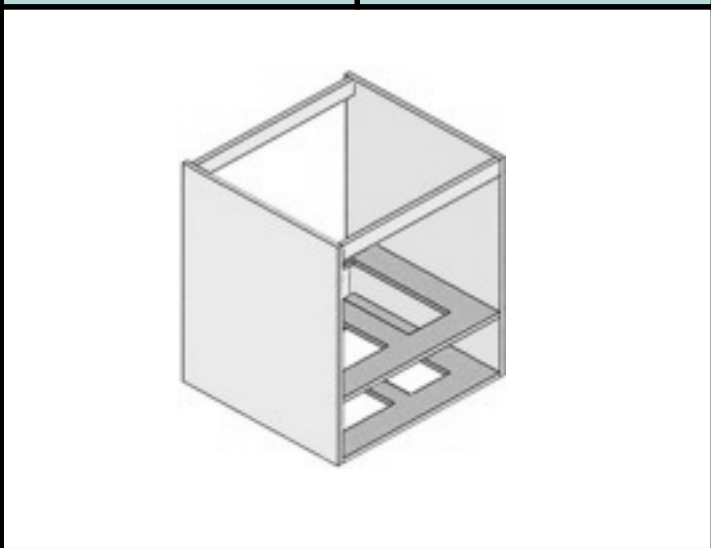
SUPPLIED WITH 1 ADJ SHELF



DEEP BASE U/BENCH (DBUB) 720 HIGH X 560 DEEP—16mm VOID

WIDTH FROM 600mm—900mm.

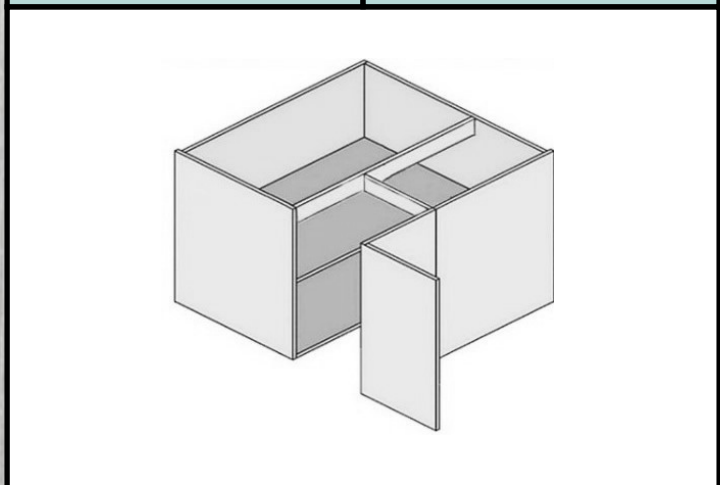
SUPPLIED WITH 1 ADJ VENTED SHELF



DEEP BASE CNR EXT. (DBCE) 720 HIGH X 560 DEEP—16mm VOID

WIDTH FROM 900mm—1200mm.

SUPPLIED WITH 1 ADJ SHELF

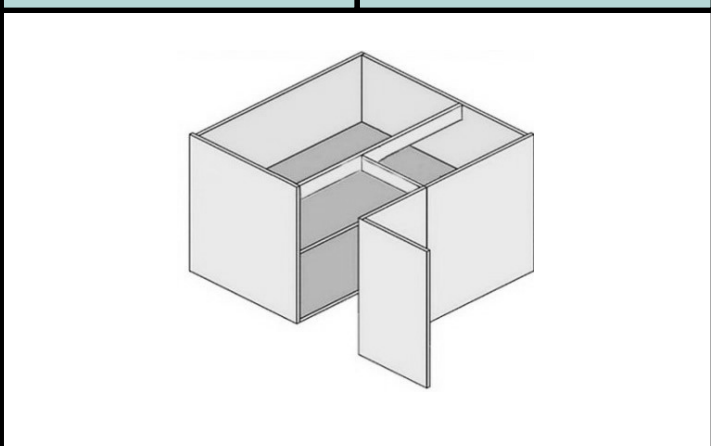


*Please supply a detailed drawing when ordering this item.

DEEP BASE CNR (DBC) 720 HIGH X 560 DEEP—16mm VOID

WIDTH FROM 800mm—1200mm.

SUPPLIED WITH 1 ADJ SHELF

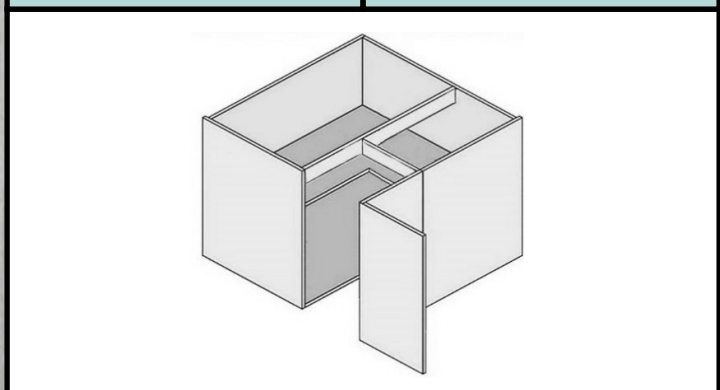


*Please supply a detailed drawing when ordering this item.

DEEP BASE CNR SETBK (DBCS) 720 HIGH X 560 DEEP—16mm VOID

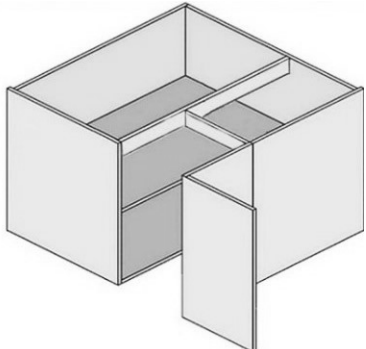
WIDTH FROM 800mm—1200mm.

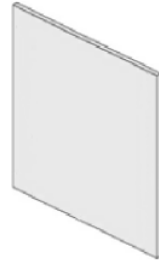
SUPPLIED WITH 1 ADJ SHELF

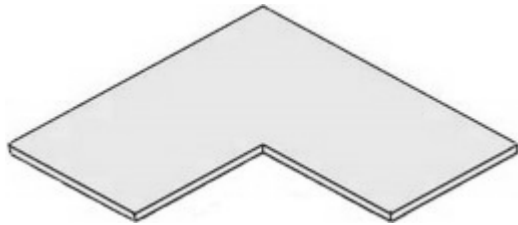


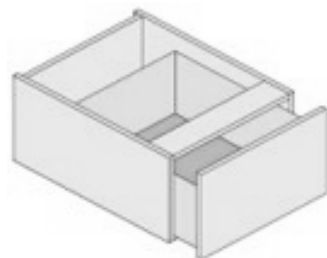
*Please supply a detailed drawing when ordering this item.

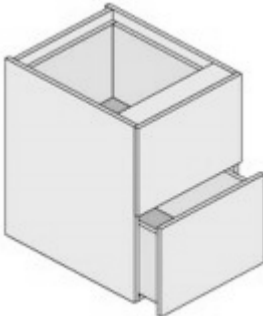
*Please note: adjustable shelf is set back 140mm from front edge.

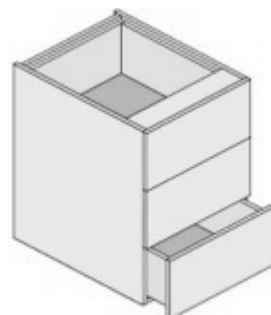
DP BASE CNR SETBK EXT. (DBCES)		720 HIGH X 560 DEEP—16mm VOID
WIDTH FROM 900mm—1200mm.	SUPPLIED WITH 1 ADJ SHELF	
		
*Please supply a detailed drawing when ordering this item.		
*Please note: adjustable shelf is set back 140mm from front edge.		

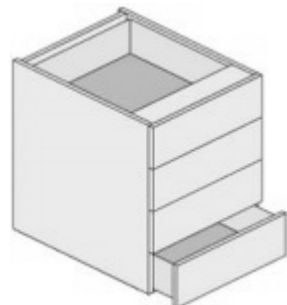
UNIVERSAL PANEL EDGED (UPE)	PRICED PER M2
SIZE LIMIT = 2400mm X 1200mm	
	
*Please supply edging details for this item.	

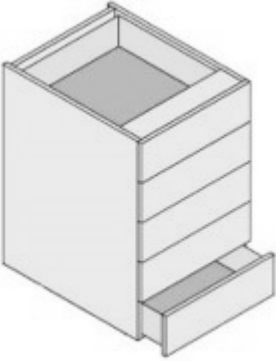
CORNER SHELVES ONLY (CS & CSE)	PRICED PER M2
	
*Please supply a detailed drawing when ordering this item.	

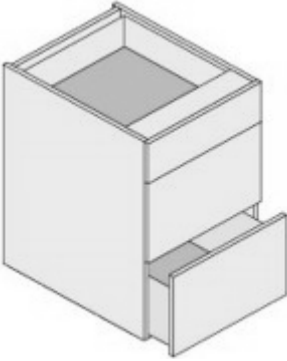
DEEP BASE DRAWER (DBD1)	280 HIGH X 560 DEEP—16mm VOID
WIDTH FROM 300mm—1200mm.	PROVIDE DRAWER HEIGHTS & RUNNER DETAILS
	

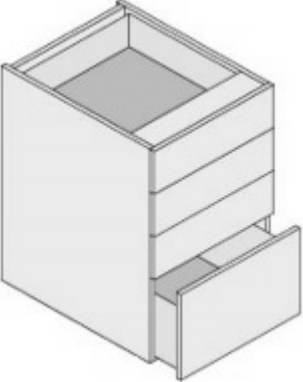
DEEP BASE DRAWER (DBD2)	720 HIGH X 560 DEEP—16mm VOID
WIDTH FROM 300mm—1200mm.	PROVIDE DRAWER HEIGHTS & RUNNER DETAILS
	

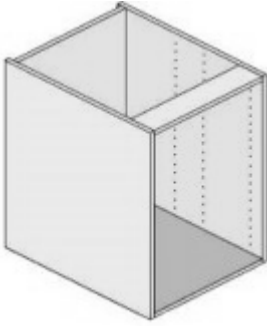
DEEP BASE DRAWER (DBD3)	720 HIGH X 560 DEEP—16mm VOID
WIDTH FROM 300mm—1200mm.	PROVIDE DRAWER HEIGHTS & RUNNER DETAILS
	

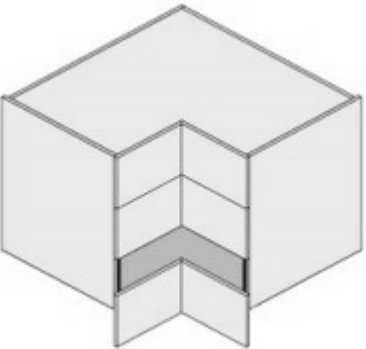
DEEP BASE DRAWER (DBD4)	720 HIGH X 560 DEEP—16mm VOID
WIDTH FROM 300mm—1200mm.	PROVIDE DRAWER HEIGHTS & RUNNER DETAILS
	

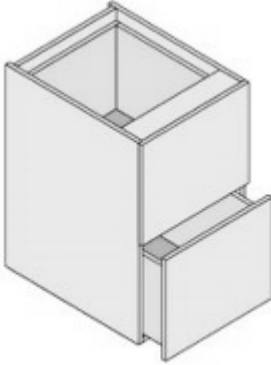
DEEP BASE DRAWER (DBD5)		720 HIGH X 560 DEEP—16mm VOID	
WIDTH FROM 300mm—1200mm.	<i>PROVIDE DRAWER HEIGHTS & RUNNER DETAILS</i>		
			

DEEP BASE DRAWER (DBD3A)		720 HIGH X 560 DEEP—16mm VOID	
WIDTH FROM 300mm—1200mm.	<i>PROVIDE DRAWER HEIGHTS & RUNNER DETAILS</i>		
			

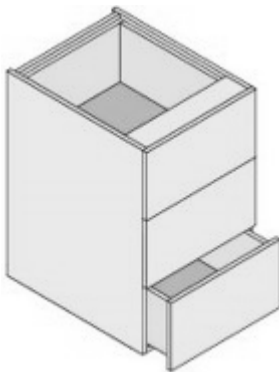
DEEP BASE DRAWER (DBD4A)		720 HIGH X 560 DEEP—16mm VOID	
WIDTH FROM 300mm—1200mm.	<i>PROVIDE DRAWER HEIGHTS & RUNNER DETAILS</i>		
			

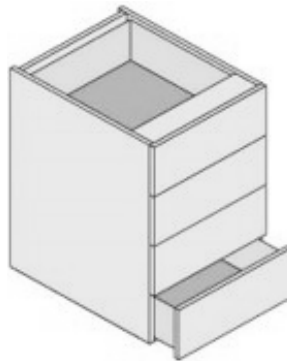
UNIVERSAL DRAWER (DBDU)		720 HIGH X 560 DEEP—16mm VOID	
WIDTH FROM 300mm—1200mm.	<i>NO BACKS/BOTTOMS SUPPLIED</i>		
			

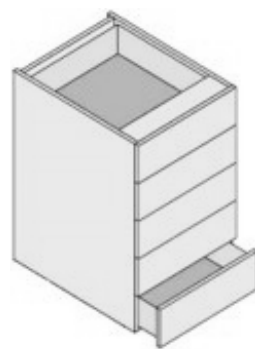
DEEP BASE CNR DRAWER (DBCD)		720 HIGH X 560 DEEP—16mm VOID	
WIDTH FROM 900mm—1000mm.	<i>PROVIDE DRAWER HEIGHTS & RUNNER DETAILS</i>		
			

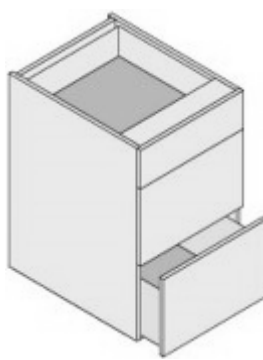
SHALLOW DRAWER (SBD2)		720 HIGH X 430 DEEP—16mm VOID	
WIDTH FROM 300mm—1200mm.	<i>PROVIDE DRAWER HEIGHTS & RUNNER DETAILS</i>		
			

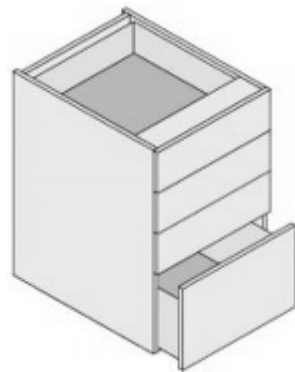
*Please supply a detailed drawing when ordering this item.

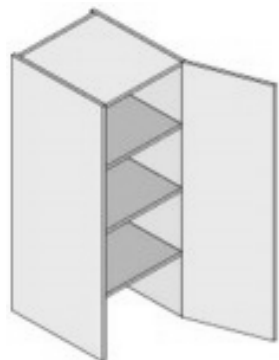
SHALLOW DRAWER (SBD3)		720 HIGH X 430 DEEP—16mm VOID	
WIDTH FROM 300mm—1200mm.		PROVIDE DRAWER HEIGHTS & RUNNER DETAILS	
			

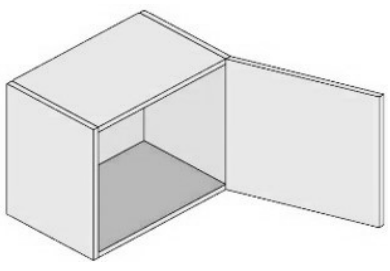
SHALLOW DRAWER (SBD4)		720 HIGH X 430 DEEP—16mm VOID	
WIDTH FROM 300mm—1200mm.		PROVIDE DRAWER HEIGHTS & RUNNER DETAILS	
			

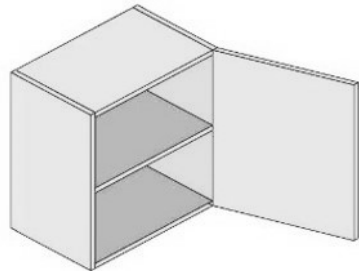
SHALLOW DRAWER (SBD5)		720 HIGH X 430 DEEP—16mm VOID	
WIDTH FROM 300mm—1200mm.		PROVIDE DRAWER HEIGHTS & RUNNER DETAILS	
			

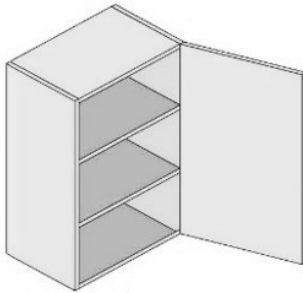
SHALLOW DRAWER (SBD3A)		720 HIGH X 430 DEEP—16mm VOID	
WIDTH FROM 300mm—1200mm.		PROVIDE DRAWER HEIGHTS & RUNNER DETAILS	
			

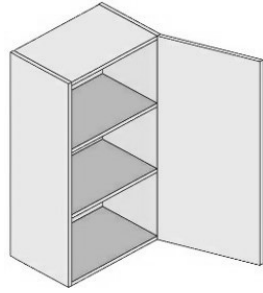
SHALLOW DRAWER (SBD4A)		720 HIGH X 430 DEEP—16mm VOID	
WIDTH FROM 300mm—1200mm.		PROVIDE DRAWER HEIGHTS & RUNNER DETAILS	
			

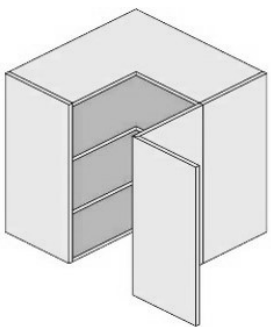
APPLIANCE UNIT (AP)		1245 HIGH X 500 DEEP—16mm VOID	
WIDTH FROM 300mm—1200mm.		SUPPLIED WITH 3 ADJ SHELVES	
			

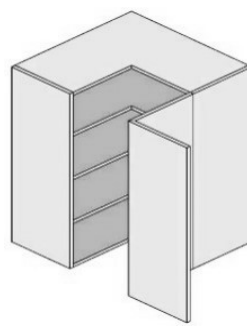
FRIDGE WALL (FW)		400 HIGH X 300 DEEP—NO VOID	
WIDTH FROM 300mm—1200mm.	NO ADJUSTABLE SHELF SUPPLIED		
			

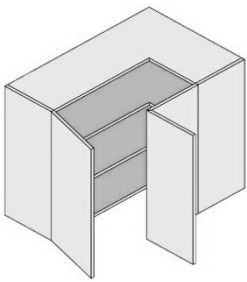
INTERMEDIATE WALL (IW)		520 HIGH X 300 DEEP—NO VOID	
WIDTH FROM 300mm—1200mm.	SUPPLIED WITH 1 ADJ SHELF		
			

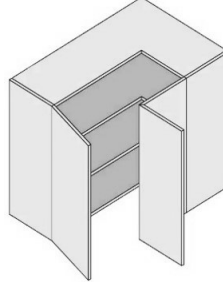
REGULAR WALL (RW)		720 HIGH X 300 DEEP—NO VOID	
WIDTH FROM 300mm—1200mm.	SUPPLIED WITH 2 ADJ SHELVES		
			

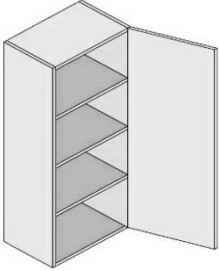
HIGH WALL (HW)		920 HIGH X 300 DEEP—NO VOID	
WIDTH FROM 300mm—1200mm.	SUPPLIED WITH 2 ADJ SHELVES		
			

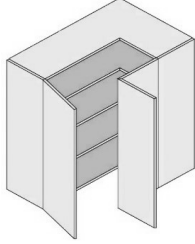
REGULAR WALL CNR (RWC)		720 HIGH X 300 DEEP—16mm VOID	
WIDTH 600mm X 600mm.	SUPPLIED WITH 2 ADJ SHELVES		
			
*Please supply a detailed drawing when ordering this item.			

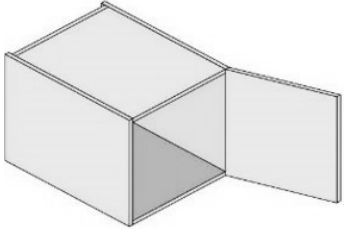
HIGH WALL CNR (HWC)		920 HIGH X 300 DEEP—16mm VOID	
WIDTH 600mm X 600mm.	SUPPLIED WITH 2 ADJ SHELVES		
			
*Please supply a detailed drawing when ordering this item.			

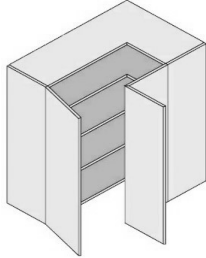
REG. WALL CNR EXTEND. (RWCE)		720 HIGH X 300 DEEP—16mm VOID	
WIDTH FROM 600mm—900mm.	SUPPLIED WITH 2 ADJ SHELVES		
			
*Please supply a detailed drawing when ordering this item.			

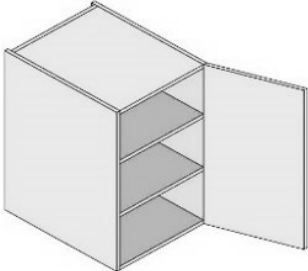
HIGH WALL CNR EXTEND. (HWCE)		920 HIGH X 300 DEEP—16mm VOID	
WIDTH FROM 600mm—900mm.	SUPPLIED WITH 2 ADJ SHELVES		
			
*Please supply a detailed drawing when ordering this item.			

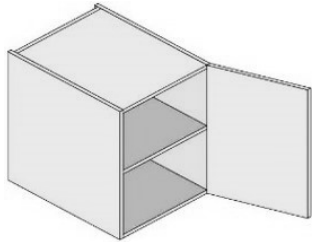
TALL WALL (TW)		1070 HIGH X 300 DEEP—NO VOID	
WIDTH FROM 300mm—1200mm.	<i>SUPPLIED WITH 3 ADJ SHELVES</i>		
			

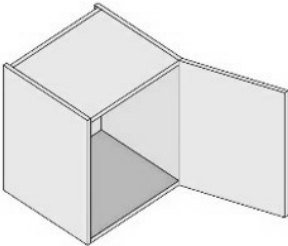
TALL WALL CNR (TWC)		1070 HIGH X 300 DEEP—16mm VOID	
WIDTH 600mm X 600mm.	<i>SUPPLIED WITH 3 ADJ SHELVES</i>		
			
*Please supply a detailed drawing when ordering this item.			

DEEP LINEN TOP SHRT (DLTS)		450 HIGH X 560 DEEP—16mm VOID	
WIDTH FROM 300mm—1200mm.	<i>NO ADJUSTABLE SHELF SUPPLIED</i>		
			

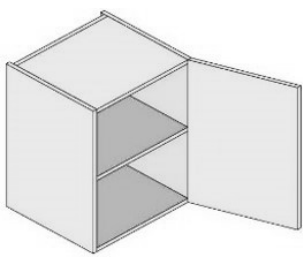
TALL WALL CNR EXTEND. (TWCE)		1070 HIGH X 300 DEEP—16mm VOID	
WIDTH 600mm X 900mm.	<i>SUPPLIED WITH 3 ADJ SHELVES</i>		
			
*Please supply a detailed drawing when ordering this item.			

DEEP LINEN TOP HIGH (DLTH)		750 HIGH X 560 DEEP—16mm VOID	
WIDTH FROM 300mm—1200mm.	<i>SUPPLIED WITH 2 ADJ SHELVES</i>		
			

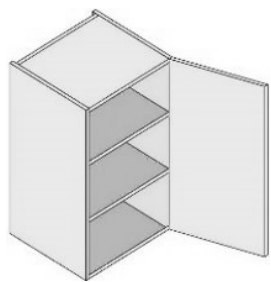
DEEP LINEN TOP MED (DLTM)		600 HIGH X 560 DEEP—16mm VOID	
WIDTH FROM 300mm—1200mm.	<i>SUPPLIED WITH 1 ADJ SHELF</i>		
			

SHALLOW LINEN TOP SHRT (SLTS)		450 HIGH X 400 DEEP—16mm VOID	
WIDTH FROM 300mm—1200mm.	<i>NO ADJUSTABLE SHELF SUPPLIED</i>		
			

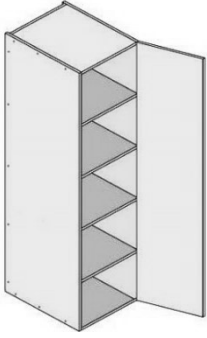
SHALLOW LINEN TOP MED (SLTM)		600 HIGH X 400 DEEP—16mm VOID
WIDTH FROM 300mm—1200mm.	SUPPLIED WITH 1 ADJ SHELF	



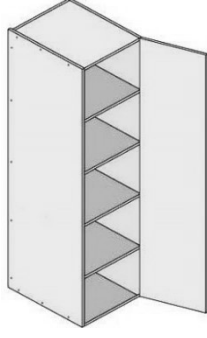
SHALLOW LINEN TOP HIGH (SLTH)		750 HIGH X 400 DEEP—16mm VOID
WIDTH FROM 300mm—1200mm.	SUPPLIED WITH 2 ADJ SHELVES	



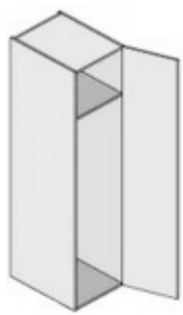
DEEP LINEN (DL)		1800 HIGH X 560 DEEP—16mm VOID
WIDTH FROM 300mm—1200mm.	SUPPLIED WITH 4 ADJ SHELVES	



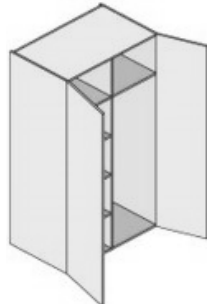
DEEP LINEN TALL (DLT)		2200 HIGH X 560 DEEP—16mm VOID
WIDTH FROM 300mm—1200mm.	SUPPLIED WITH 5 ADJ SHELVES	



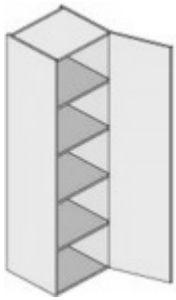
DEEP LINEN BROOM (DLB)		1800 HIGH X 560 DEEP—16mm VOID
WIDTH FROM 300mm—1200mm.	SUPPLIED WITH 1 ADJ SHELF	

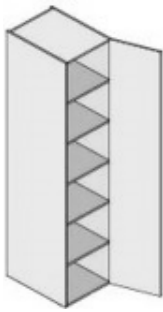


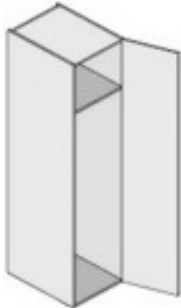
DP LINEN BROOM DBLE (DLBD)		1800 HIGH X 560 DEEP—16mm VOID
WIDTH FROM 600mm—1200mm.	FIXED DIVISION, SUPPLIED WITH 5 ADJ SHELVES	

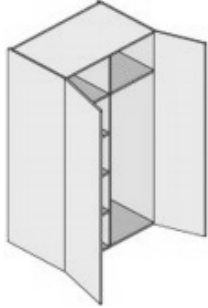


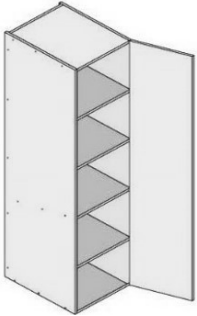
**Please supply a detailed drawing when ordering this item.*

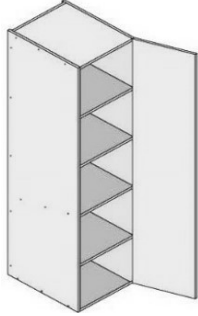
SHALLOW LINEN (SL)		1800 HIGH X 400 DEEP—16mm VOID	
WIDTH FROM 300mm—1200mm.		SUPPLIED WITH 4 ADJ SHELVES	
			

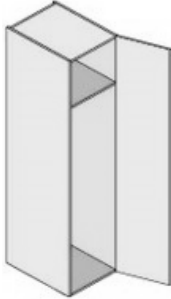
SHALLOW LINEN TALL (SLT)		2200 HIGH X 400 DEEP—16mm VOID	
WIDTH FROM 300mm—1200mm.		SUPPLIED WITH 5 ADJ SHELVES	
			

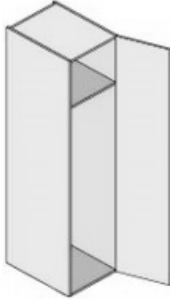
SHALLOW BROOM (SBR)		2000 HIGH X 400 DEEP—16mm VOID	
WIDTH FROM 300mm—1200mm.		SUPPLIED WITH 1 ADJ SHELF	
			

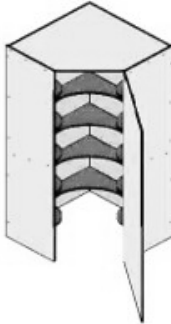
SHALLOW LIN. BRM. TALL (SLBD)		1800 HIGH X 400 DEEP—16mm VOID	
WIDTH FROM 600mm—1200mm.		FIXED DIVISION, SUPPLIED WITH 5 ADJ SHELVES	
			
*Please supply a detailed drawing when ordering this item.			

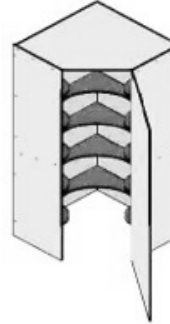
DEEP PANTRY (DP)		2000 HIGH X 560 DEEP—16mm VOID	
WIDTH FROM 300mm—1200mm.		SUPPLIED WITH 1 FIX, 3 ADJ SHELF	
			

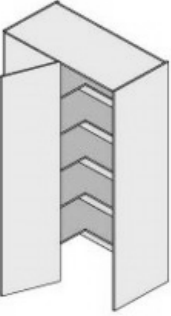
DEEP PANTRY TALL (DPT)		2200 HIGH X 560 DEEP—16mm VOID	
WIDTH FROM 300mm—1200mm.		SUPPLIED WITH 1 FIX, 4 ADJ SHELF	
			

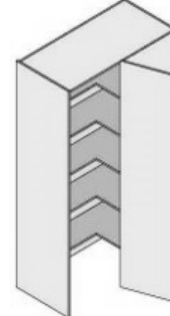
DEEP BROOM (DBR)		2000 HIGH X 560 DEEP—16mm VOID	
WIDTH FROM 300mm—1200mm.	<i>SUPPLIED WITH 1 ADJ SHELF</i>		
			

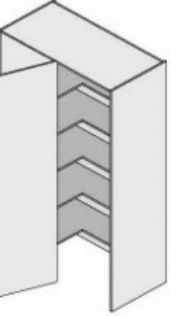
DEEP BROOM TALL (DBRT)		2200 HIGH X 560 DEEP—16mm VOID	
WIDTH FROM 300mm—1200mm.	<i>SUPPLIED WITH 1 ADJ SHELF</i>		
			

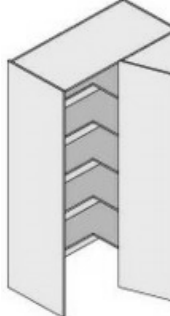
DEEP CNR PANTRY (DCP)		2150 HIGH X 560 DEEP—16mm VOID	
WIDTH FROM 1000mm—1200mm.	<i>SUPPLIED WITH 1 FIX, 4 ADJ SHELVES</i>		
			
<i>*Please supply a detailed drawing when ordering this item.</i>			

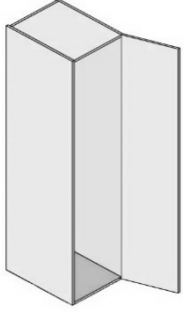
DEEP CNR PNTRY TALL (DCPT)		2350 HIGH X 560 DEEP—16mm VOID	
WIDTH FROM 1000mm—1200mm.	<i>SUPPLIED WITH 1 FIX, 5 ADJ SHELVES</i>		
			
<i>*Please supply a detailed drawing when ordering this item.</i>			

DEEP PANTRY BLANK L (DPBL)		2150 HIGH X 560 DEEP—16mm VOID	
WIDTH FROM 1100mm—1200mm.	<i>SUPPLIED WITH 1 FIX, 4 ADJ SHELVES</i>		
			

DEEP PANTRY BLANK R (DPBR)		2150 HIGH X 560 DEEP—16mm VOID	
WIDTH FROM 1100mm—1200mm.	<i>SUPPLIED WITH 1 FIX, 4 ADJ SHELVES</i>		
			

DEEP PNTRY BLNK TALL L (DPBTL)		2350 HIGH X 560 DEEP—16mm VOID	
WIDTH FROM 1100mm—1200mm.	<i>SUPPLIED WITH 1 FIX, 5 ADJ SHELVES</i>		
			

DEEP PNTRY BLNK TALL R (DPBTR)		2350 HIGH X 560 DEEP—16mm VOID	
WIDTH FROM 1100mm—1200mm.	<i>SUPPLIED WITH 1 FIX, 5 ADJ SHELVES</i>		
			

DEEP WARDROBE		2000 HIGH X 560 DEEP—16mm VOID	
WIDTH FROM 300mm—1200mm.	<i>NO SHELF HOLES OR SHELVES SUPPLIED</i>		
			

DEEP WARDROBE TALL		2200 HIGH X 560 DEEP—16mm VOID	
WIDTH FROM 300mm—1200mm.	<i>NO SHELF HOLES OR SHELVES SUPPLIED</i>		
