

# Directly Coupled Pump



A series



Compact Design for  
**Customized  
Solutions**

**KUANG CHUAN PUMP ENTERPRISES CO., LTD.**

No.2-2, Gongye 2nd Rd., Pingzhen Dist., Taoyuan City 324, Taiwan (R.O.C.)

Tel: +886-3-4192828

Email: [sales@kcp.com.tw](mailto:sales@kcp.com.tw)

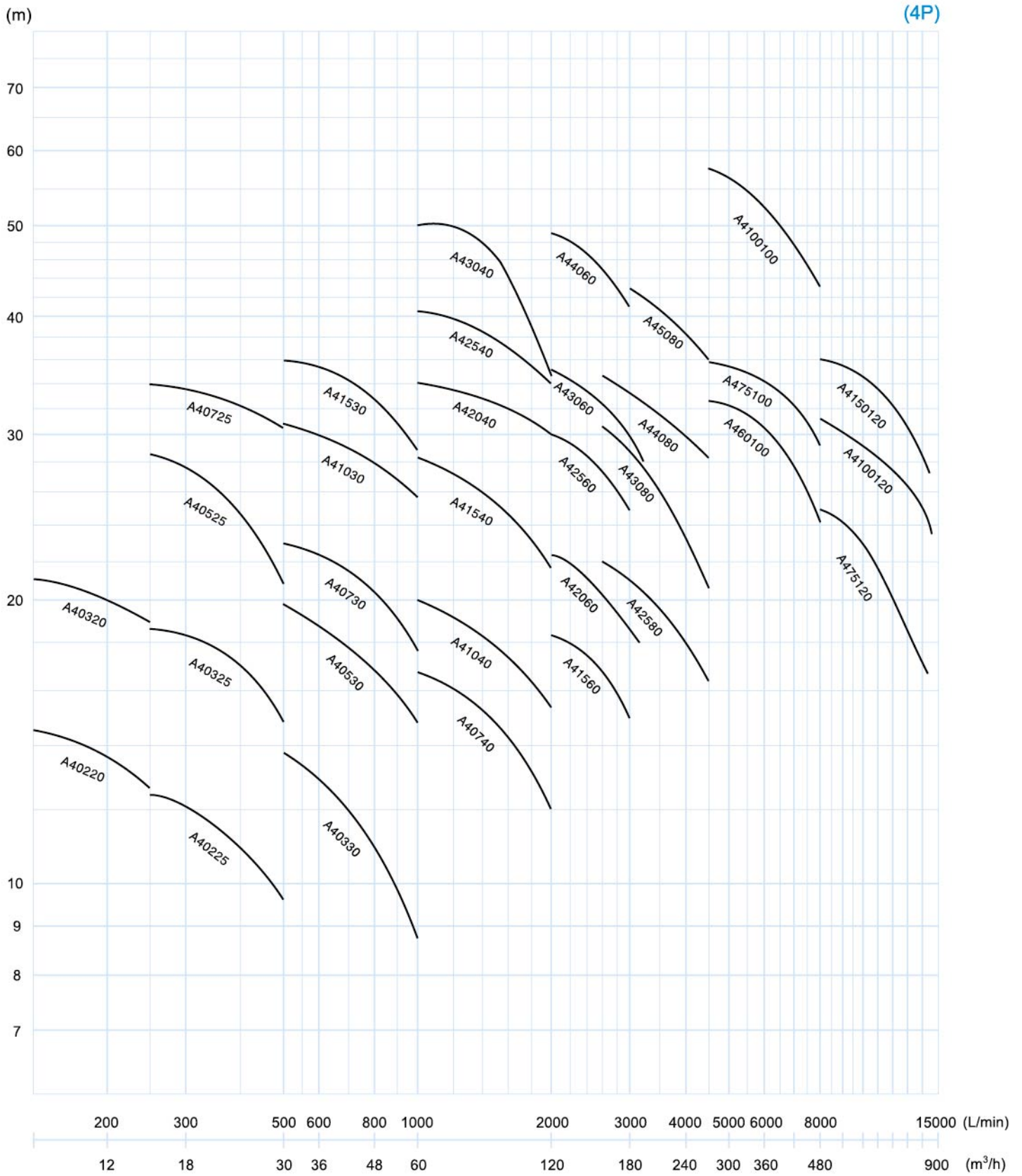
Fax: +886-3-4192929

[www.kcp.com.tw](http://www.kcp.com.tw)



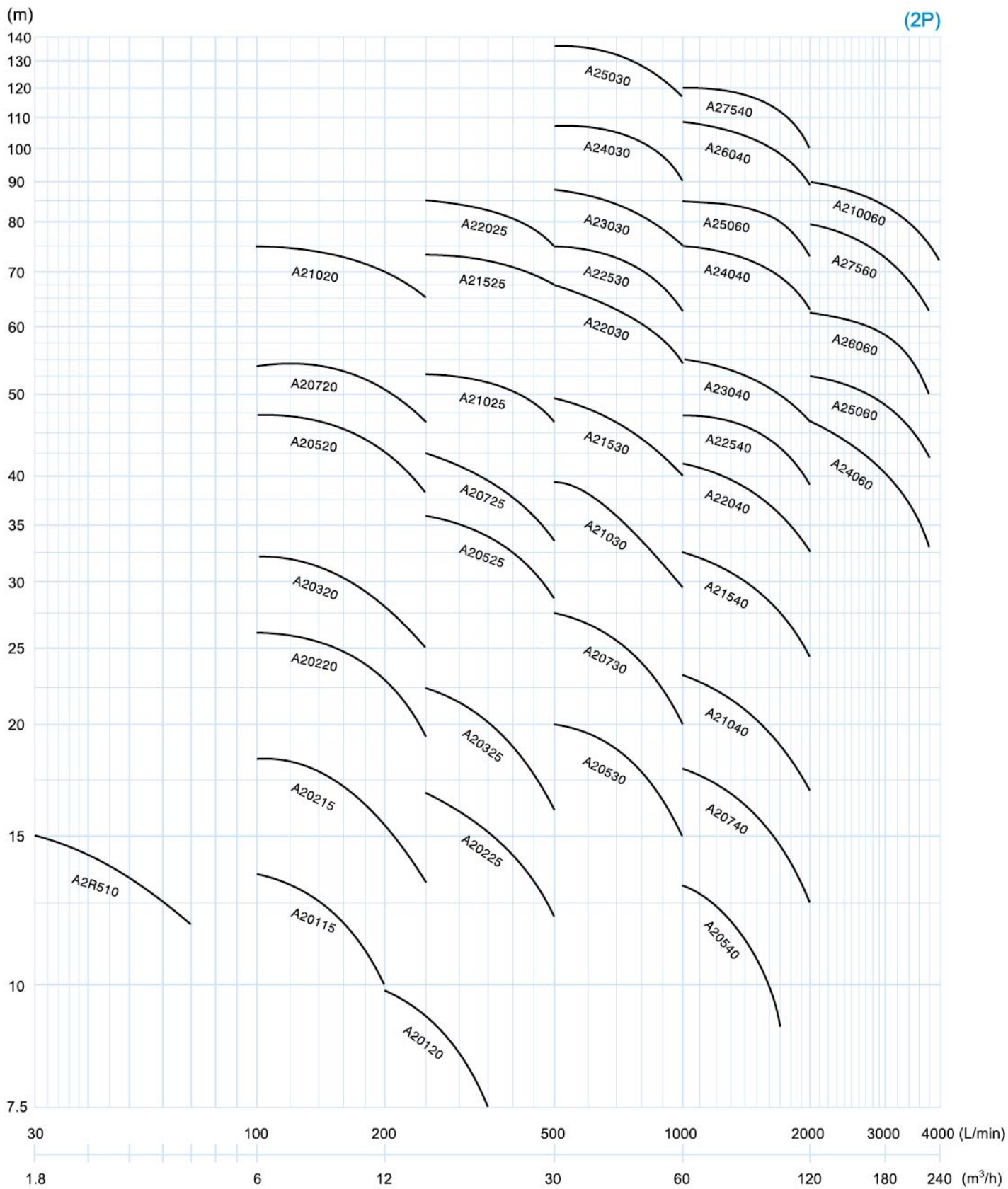
# A SERIES PERFORMANCE CHART

50Hz 4P



# A SERIES PERFORMANCE CHART

50Hz 2P



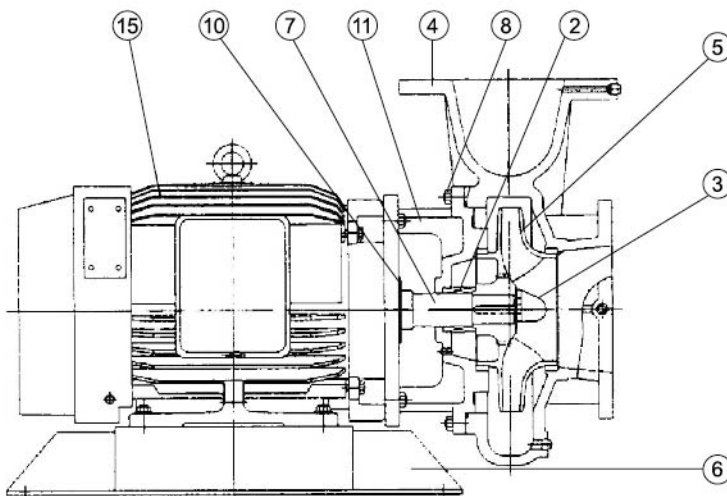
**APPLICATION**

- Air-Conditioning
- Pressure Boosting
- Cooling & Thermal
- Washing & Cleaning
- Water & Wastewater Treatment
- Groundwater Distribution
- Wastewater Transport
- Process

**FEATURES**

1. Permanent rigid alignment
  - Eliminates coupling alignment requirements, laser alignment costs and faster installation
2. Optimized and balanced impellers
  - Customization for system design.
3. Close coupled design
  - Compact model and space savings.
4. Back pull out design
  - Ease of maintenance and servicing.
5. No baseplate required
  - Enhances ease of service and no alignment
6. Cast iron motor body
  - Heavy duty & machined motor bracket
7. Optional material upon request.

**CONSTRUCTION**



No.	NAME	MATERIAL
2	MECHANICAL SEAL	Depend on applications
3	IMPELLER NUT	FC200/SUS304
4	PUMP CASING	FC200/SUS304
5	IMPELLER	BRONZE/SUS304
8	FEET	FC200/SS34
10	SHAFT	SUS410/SUS304
11	BRACKET	FC200/SUS304
12	WATER SLINGER	NBR
15	MOTOR	