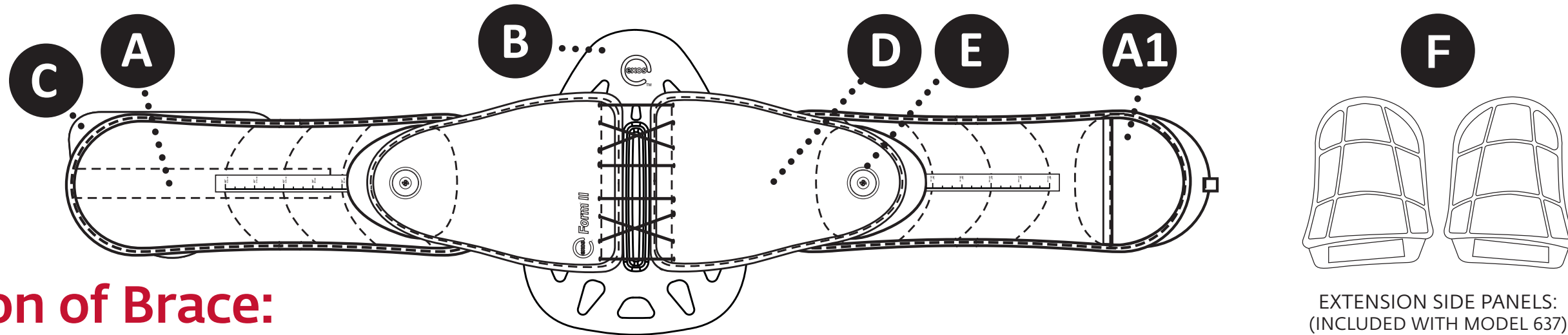




Spine Bracing System

CLINICIAN APPLICATION INSTRUCTIONS

EXOS FORM™ II 631 / 637



EXTENSION SIDE PANELS:
(INCLUDED WITH MODEL 637)

Application of Brace:

- 1** **SIZE BELT** by taking circumferential measurement. Select larger brace for in between sizes.
TRIM EXCESS material on Belt Wings (A) if needed.
- 2** **OPEN BRACE** by pulling out on both Boa Knobs (E) and pull Rear Panel Section (D) in opposite directions.
- 3a** **ASSEMBLE BRACE** by holding Front Panel (C) at desired location. Have patient insert hand into the Donning Mitt (A1) pocket and wrap Belt Wing (A) over Front Panel. Remove brace.
- 3b** **SECURE TALL REAR PANEL** by laying Rear Panel Section over Tall Rear Panel (B).
- 3c** **IF APPLICABLE:** Secure Extension Side Panels (F) (included with model 637) by adhering the loop side/inside of the Tall Rear Panel padding.



- 4** **APPLY BRACE.** Have patient insert hand into Donning Mitt pocket. Apply brace to patient by centering Tall Rear Panel Section on patient's back, and wrapping the Belt Wings around waist. Close the brace.



- 5** **TIGHTEN BRACE** by pushing in both Boa Knobs and turn knobs clockwise.



NOTE: Left Boa Knob controls top half of brace. Right Boa Knob controls bottom half.

Brace Adjustment:

- TRIM THE TALL REAR PANEL:** Remove foam liner and trim following groove found on top ¼ of brace. Foam piece can be trimmed similarly. Reapply foam liner.
- MOLD THE TALL REAR PANEL OR FRONT PANEL:** Remove foam lining and heat panel with either an Exos heating device (on lowest setting) or a heat gun (~170°F/~77°C) until panel is malleable. Shape appropriately and let cool. Reapply foam liner.
- POST-SURGICAL RELIEF:** Cut around and remove Midline Portion of Rear Panel liner.
- OPTIMAL WAIST FIT:** Detachable Belt Wings can be repositioned for improved patient fit.
- OPTIONAL BRIDGE WING:** For patients whose circumferential measurement is between 60" and 70", (152cm and 178cm), use optional Bridge Wing. Apply hook portion of Donning Mitt Section to loop exterior of Bridge Wing.
- PETITE PATIENT:** For smaller patients, you can remove Donning Mitt Section entirely and adhere Rear Panel Section directly to Front Panel Wing.

MATERIAL CONTENTS: Nylon, Polyethylene, Polyester, Antimicrobial Treated Material, Polyurethane, Stainless Steel, Polycarbonate, Thermoplastic Elastomer, Polyoxymethylene, Carbon Steel, Acrylic Adhesive.
FOR SINGLE PATIENT USE ONLY. NOT MADE WITH NATURAL RUBBER LATEX.

CONTRAINDICATIONS: Pregnancy and circulation, pulmonary, cardiovascular or skeletal conditions which have risk to be made worse as a result of compression and/or pressure.



For more information including application videos, please visit DJOGlobal.com/products/exos/exos-form-ii-back-brace or call **888.405.3251**

For product assistance, please contact Product Support at **1.888.405.3251** or email product.specialist@djoglobal.com

WARRANTY: DJO, LLC will repair or replace all or part of the unit and its accessories for material or workmanship defects for a period of six months from the date of sale. To the extent the terms of this warranty are inconsistent with local regulations, the provisions of such local regulations will apply.

