

ARMORDILLO GUARDS

GWB-SVL-97-3

Recovery Winch Installation Guide



A few Considerations & Tips:

- Our winch housing kit is designed with numerous adjustment points to allow “grunt free” ease of use, especially opening and closing. The hinge side has leveling bolts to lift or lower latch side at initial install as well as compensate for any break-in wear or bolt settle. The latch side has slotted holes that allow left to right adjustment for ease of pin removal/insertion.

Generally, it is a good idea to leave all bolts hand tight until all are started

- Tighten all bolts (where accessible) to 150 ft lbs. min.
- Whenever adjusting leveling bolts make sure the opposing leveling bolts are adjusted accordingly and all jamb nuts are tightened. Failure to do so could lead to post bracket damage.

Please reach out to us with any questions or concerns.

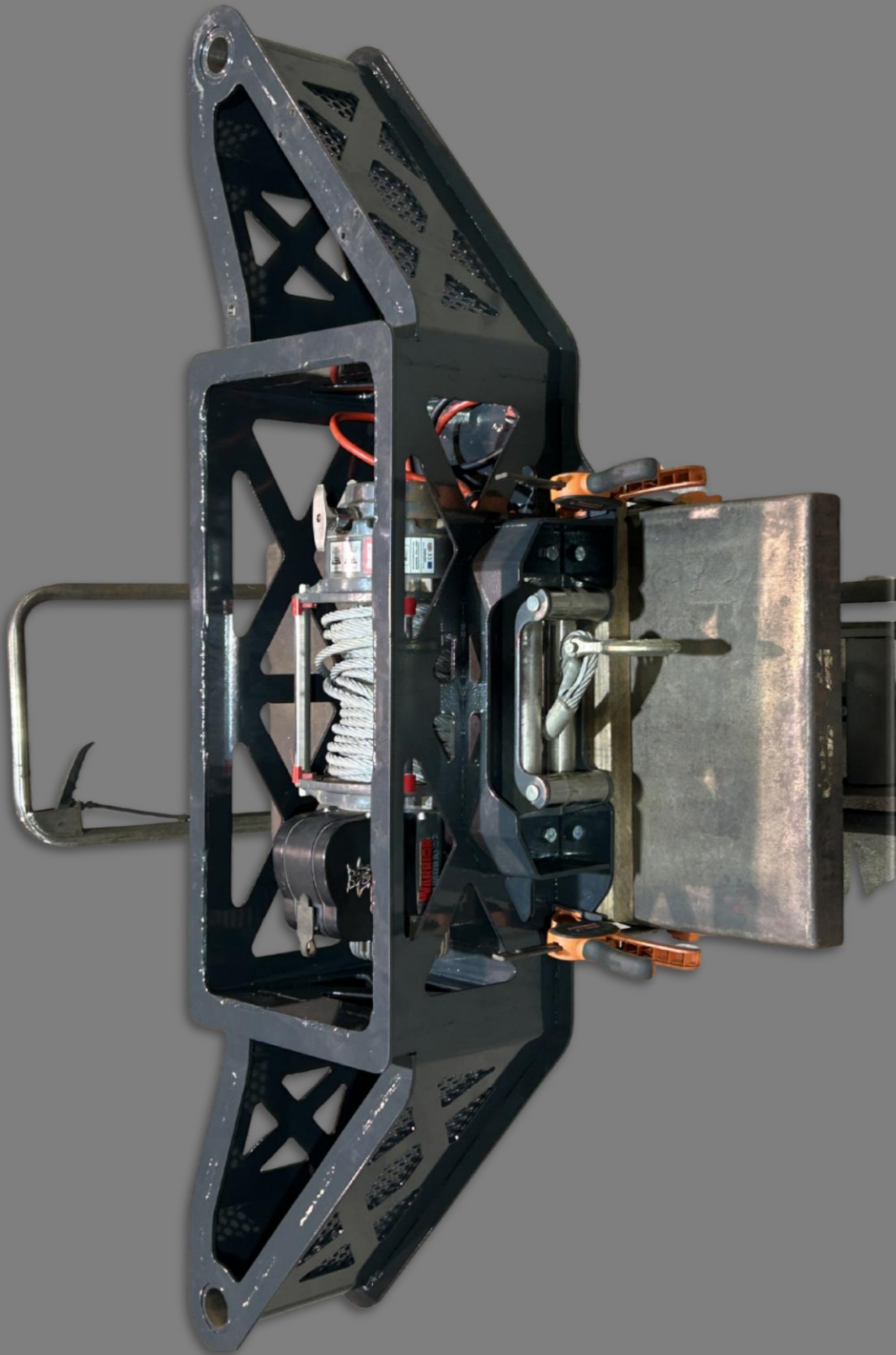
Date:	05/20/26
Revision:	5



936.894.2060 ARMORDILLOGUARDS.COM

1

- Support Main Bumper Housing



936.894.2060 ARMORDILLOGUARDS.COM

2

- Install Support Brackets, latch & hinge side with Red Handle Pins
- Latch side shown, hinge side opposite



3

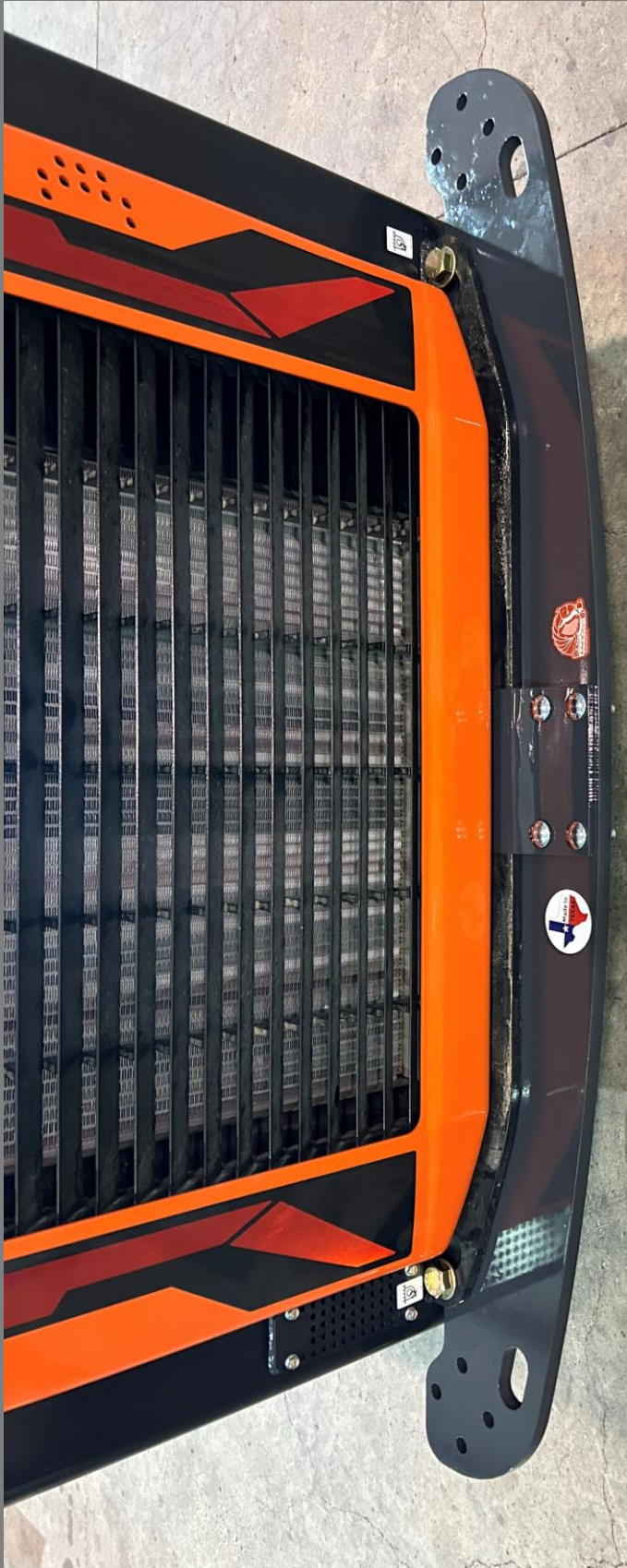
- Install 1/4" x 2-1/4" Retainer Bolt & Lock Nut to Hinge Side pin **only** as shown.



936.894.2060 ARMORDILLOGUARDS.COM

4

- Install Bumper as shown
- Tighten all bolts



936.894.2060 ARMORDILLOGUARDS.COM



5

Reference:
• Housing moved into position

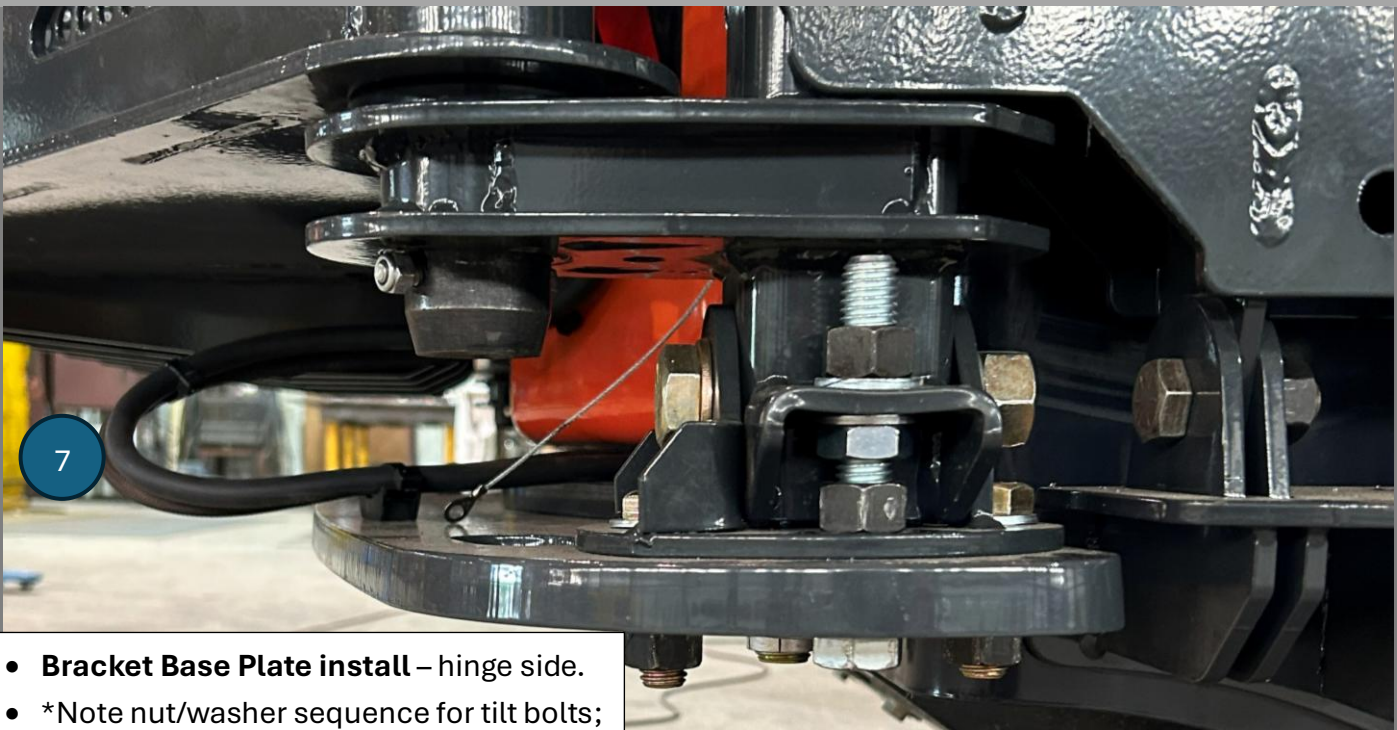


936.894.2060 ARMORDILLOGUARDS.COM



- Attach Hinge Side Bracket as shown with supplied hardware.

- Install M16 x 40mm bolts & lock washers hinge side.



- **Bracket Base Plate install** – hinge side.
- *Note nut/washer sequence for tilt bolts;
Install Exactly as shown.*



936.894.2060 ARMORDILLOGUARDS.COM

8



- Install Latch Side Bracket – Pivot Assembly into place and install all hardware supplied.

9

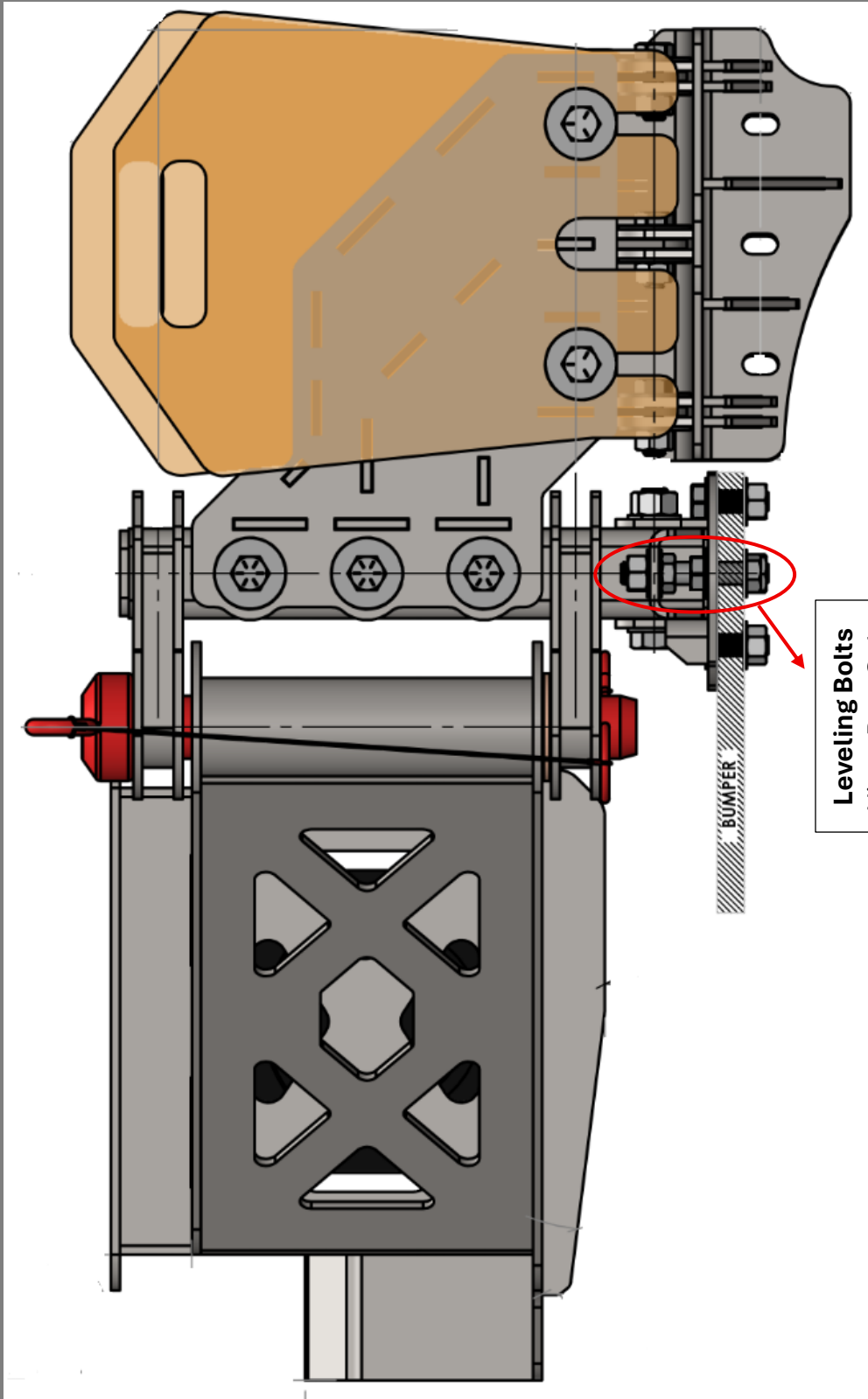


- Install M16x40mm bolts & lock washers Latch Side.



936.894.2060 ARMORDILLOGUARDS.COM

10 • Note Leveling Bolt locations below



Leveling Bolts
Hinge Post Only
• 1 Outside
• 1 Inside



936.894.2060 ARMORDILLOGUARDS.COM

Close-Up View shows left & right leveling bolts. Jamb nuts cannot be seen in this view but it's important they engage bottom of brackets. Please be sure all nuts are tight prior to winch housing use.



Hinge Post Tilt Mechanism. Reference Rear View.

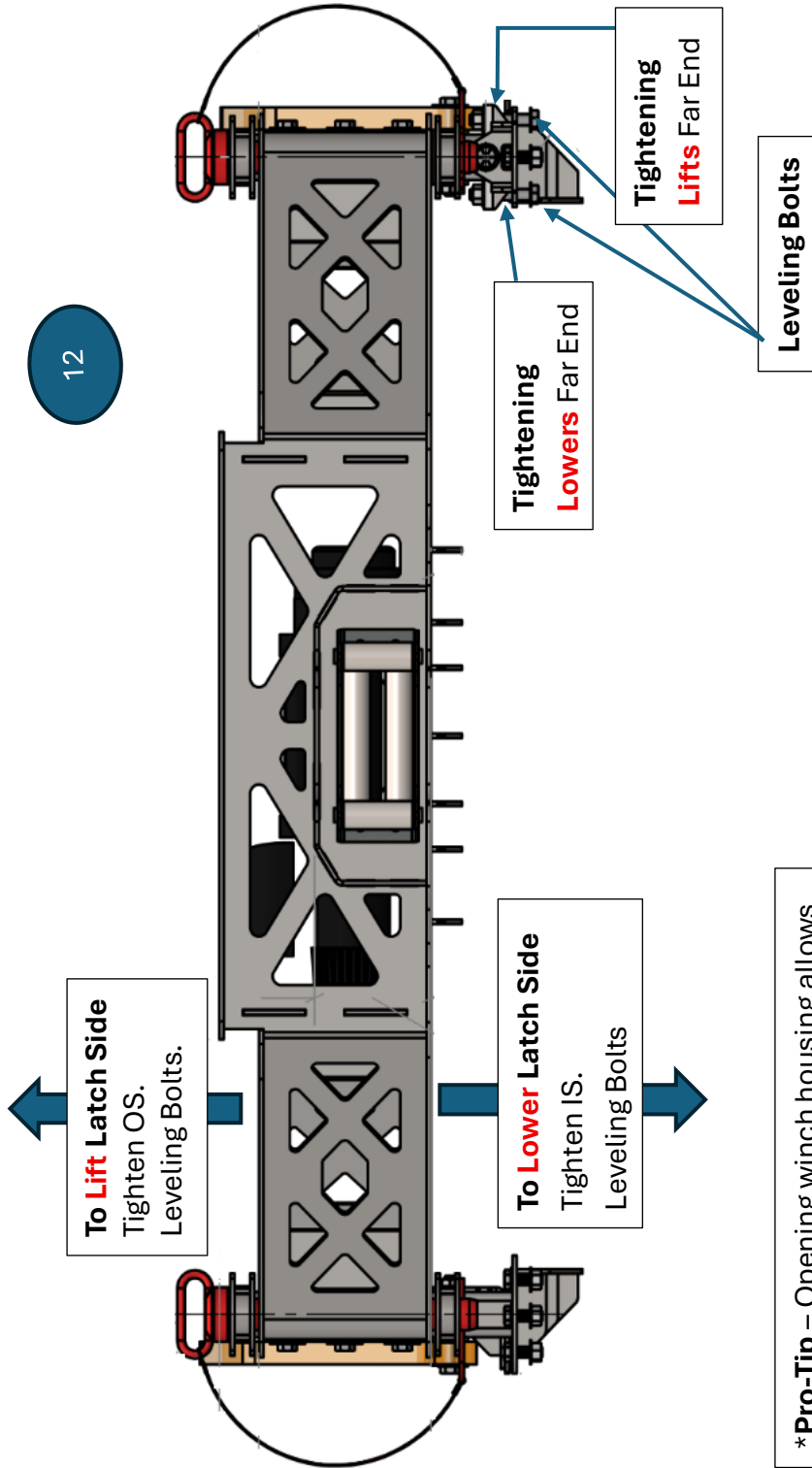
11



936.894.2060 ARMORDILLOGUARDS.COM

Note Leveling Bolt Locations

Whatever adjustments are made to leveling bolts must be done also on opposite adjusting bolt but inverse.



***Pro-Tip** – Opening winch housing allows outside leveling bolts to be adjusted much easier and vice versa.

