

CARDINAL®



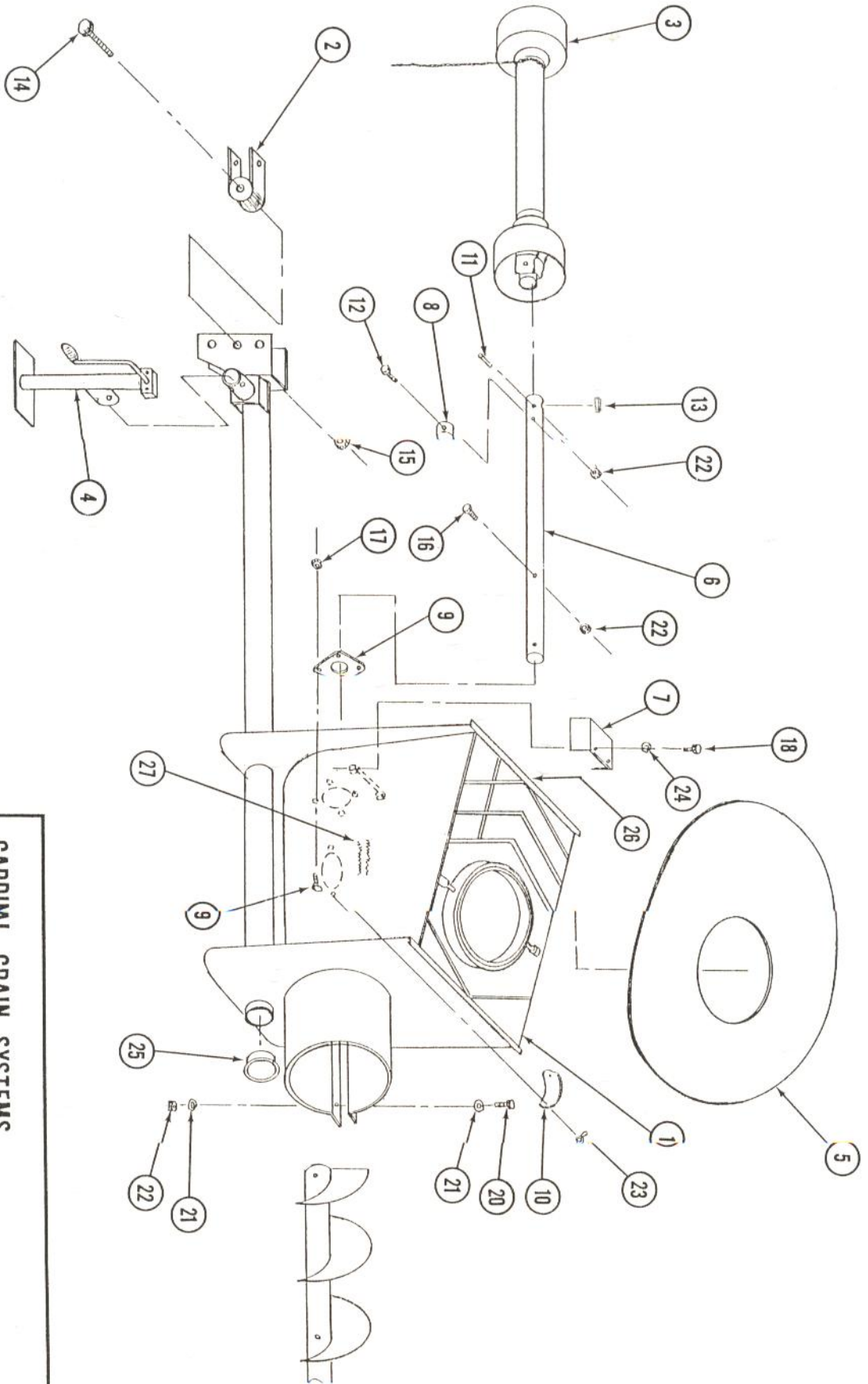
PACKING LIST

10" DIRECT DRIVE AUGER INTAKE HOPPER

	<u>PART #</u>	<u>UNIT</u>		<u>PART #</u>	<u>UNIT</u>
1) 10" INTAKE HOPPER W/A	A28433	1	6) INTAKE SHAFT	27903	1
2) CLEVIS W/A	A28583	1	7) PTO SHIELD	27403	1
3) INT SHAFT	A27022	1	8) TUBING CONTACT	27277	1
4) JACKSTAND ASSY	A28408	1	9) FLANGE BEARING 1½	A25660	1
5) RUBBER COVER	27902	1	10) COVER PLATE	27458	1

HARDWARE & DECALS

	<u>PART #</u>	<u>UNIT</u>		<u>PART #</u>	<u>UNIT</u>
11) SPRING PIN 5/16x2	26649	1	20) HHCS 3/8-16x1¼	1176	4
12) HHCS 3/8-16x2	1179	1	21) FLAT WASHER 3/8	1294	8
13) SQUARE NUT 3/8x1 3/4	27310	1	22) HEX LOCKNUT 3/8-10	1214	8
14) HHCS 3/4-10x3 3/4	1193	1	23) SELFLOCK WINGNUT ¼-20	21872	2
15) HEX LOCKNUT 3/4-10	1278	1	24) LOCKWASHER 3/8	1302	2
16) COUPLER BOLT 3/8-16x2 5/16	24790	3	25) PLUG	26529	1
17) HEX LOCKNUT 1/2-13	1276	4	26) "CAUTION" DECAL	23490	1
18) HHCS 3/8-16x3/4	1174	2	27) "DANGER" DECAL	23491	2
19) CARRIAGE BOLT ½-13x1¼	1518	4			



CARDINAL GRAIN SYSTEMS

INTAKI HOPPER

10" DIRECT DRIVE AUGER

SCALE:

APPROVED BY:

DRAWN BY: *RFW*

DATE: 6-90

REVISED

DRAWING NUMBER