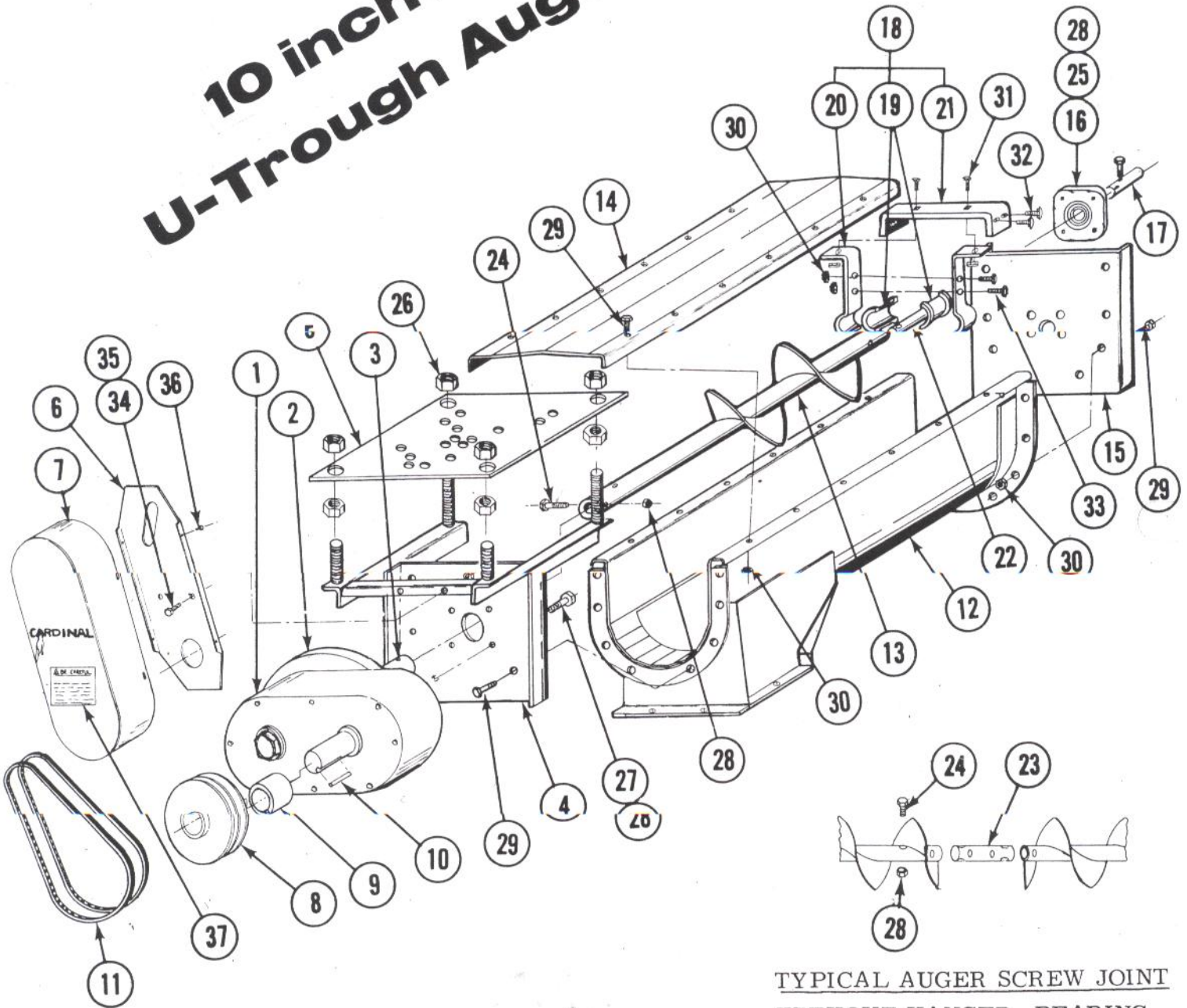


# CARDINAL

## ASSEMBLY INSTRUCTIONS AND REPAIR PARTS LIST

### 10 inch U-Trough Auger



### TYPICAL AUGER SCREW JOINT WITHOUT HANGER BEARING

Note: All Auger Screw joints, even at Hanger Bearings, are to be aligned as shown above with ends of Flighting in line

KEY NO.	PART NO.	DESCRIPTION	KEY NO.	PART NO.	DESCRIPTION
1	A26900	SPEED REDUCER FOR 10 H.P. DRIVE	*	A2224	5'-10" INTERMEDIATE SCREW
1	A26902	SPEED REDUCER FOR 15 H.P. DRIVE	*	A2221	4 FT. INTERMEDIATE SCREW
2	A26901	ADAPTER FOR 10 H.P. DRIVE	*	A2215	2 FT. INTERMEDIATE SCREW
*	26929	ADAPTER SEAL - 10 H.P. DRIVE	14	A2250	8 FT. WEATH'R COVER
2	A26903	ADAPTER FOR 15 H.P. DRIVE	*	A2248	6 FT. WEATH'R COVER
*	26930	ADAPTER SEAL - 15 H.P. DRIVE	*	A2246	4 FT. WEATH'R COVER
3	A26902	DRIVE SHAFT & KEY - 10 H.P. DRIVE	*	A2245	2 FT. WEATH'R COVER
3	A26904	DRIVE SHAFT & KEY - 15 H.P. DRIVE	15	22471	TAIL PLATE (IDLE)
4	A26886	DRIVE END PLATE - 10 H.P. DRIVE	16	A2560	BEARING ASSEMBLY
4	A26888	DRIVE END PLATE - 15 H.P. DRIVE	17	A22470	IDLE SHAFT WITH HARDWARE
5	A22465	MOTOR BASE PLATE	18	A2252	HANGER BEARING ASSY-COMPLETTE
6	26887	BELT GUARD BACKPLATE - 10 H.P. DRIVE	19	A2255	WOOD BEARING INSERT (PAIR)
6	26892	BELT GUARD BACKPLATE - 15 H.P. DRIVE	20	2254	SIDE BAR (EACH)
7	A26914	BELT GUARD - 10 H.P. DRIVE	21	2253	TOP BAR
7	A26889	BELT GUARD - 15 H.P. DRIVE	22	A2225	COUPLER SHAFT WITH HARDWARE
8	A24682	V-BELT SHEAVE - 2 GROOVE - 10 H.P.	23	A2216	COUPLER SHAFT WITH HARDWARE
8	26924	V-BELT SHEAVE - 2 GROOVE - 15 H.P.	24	2247	COUPLER BOLT 1/2NC x 3 GR. 5
9	A20332	SHEAVE BUSHING FOR 10 H.P. DRIVE	25	189	CAP SCREW 1/2NC x 1 1/4
9	A24082	SHEAVE BUSHING FOR 15 H.P. DRIVE	26	132	WHIZ NUT 1/2NC
10	24727	SQUARE KEY FOR 10 H.P. DRIVE	27	190	CAP SCREW 1/2NC x 1 1/2
10	26931	RECTANGULAR KEY FOR 15 H.P. DRIVE	28	1276	LOCKNUT 1/2NC
11	A20971	1/2 x 5/16 x 1 3/4	29	1174	CAP SCREW 3/8NC x 3/4
11	A26637	V-BELT (PAIR) 5L40 - 10 H.P. DRIVE	30	1274	LOCKNUT 3/8NC
11	A22309	V-BELT (PAIR) BP56 - 15 H.P. DRIVE	31	1217	CARRIAGE BOLT 3/8NC x 1
12	A22307	8 FT. DISCHARGE TROUGH	32	1216	CARRIAGE BOLT 3/8NC x 3/4
*	A22304	8 FT. INTERMEDIATE TROUGH	33	1175	CAP SCREW 3/8NC x 1
*	A22304	6 FT. INTERMEDIATE TROUGH	34	1273	LOCKNUT 5/16NC
*	A22301	4 FT. INTERMEDIATE TROUGH	35	1357	CAP SCREW 5/16NC x 3/4
*	A22298	2 FT. INTERMEDIATE TROUGH	36	1319	TAP SCREW 1/4 x 1/2 HEX. HD.
13	A22330	7'-10" DISCHARGE SCREW	37	2390	DECAL "BE CAREFUL..."
*	A22328	7'-10" INTERMEDIATE SCREW			

\* ITEMS NOT SHOWN