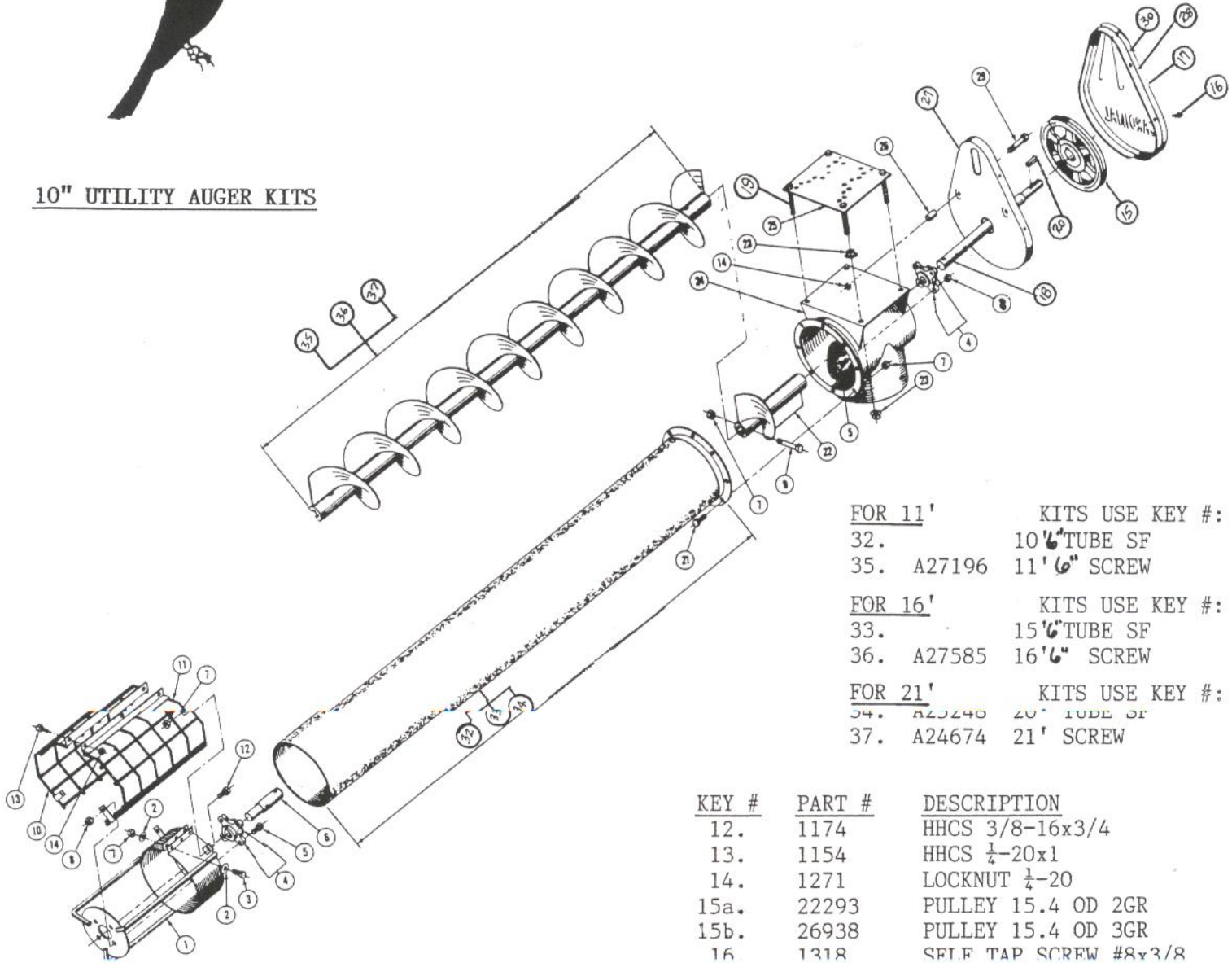




8-2004

10" UTILITY AUGER KITS



- FOR 11' KITS USE KEY #:
 32. 10' 6" TUBE SF
 35. A27196 11' 6" SCREW
- FOR 16' KITS USE KEY #:
 33. 15' 6" TUBE SF
 36. A27585 16' 6" SCREW
- FOR 21' KITS USE KEY #:
 34. A25240 20' TUBE SF
 37. A24674 21' SCREW

KEY #	PART #	DESCRIPTION
1.	A25671	INTAKE BRG ASSY
2.	1294	FLAT WASHER 3/8
3.	1175	HHCS 3/8-16x1
4.	A25660	BEARING 1 1/2
5.	1189	HHCS 1/2-13x 1 3/4
6.	25250	INTAKE SHAFT
7.	1274	LOCKNUT 3/8-16
8.	1276	LOCKNUT 1/2-13
9.	24790	COUPLER BOLT 3/8x2 3/8
10.	A25348	GUARD LT
11.	A25349	GUARD RT

KEY #	PART #	DESCRIPTION
12.	1174	HHCS 3/8-16x3/4
13.	1154	HHCS 1/4-20x1
14.	1271	LOCKNUT 1/4-20
15a.	22293	PULLEY 15.4 OD 2GR
15b.	26938	PULLEY 15.4 OD 3GR
16.	1318	SELF TAP SCREW #8x3/8
17.	A26932	BELT GUARD
18.	24726	DRIVE SHAFT
19.	20126	HHCS 1/2x5
20.	24727	SQ KEY 3/8
21.	1323	HHCS 3/8-16x3/4 GR5
22.	A24719	DISCH SCREW w/a
23.	1332	WHIZ NUT 1/2-13
24.	A25628	DISCH HEAD w/a
25.	26936	MOTOR PLATE
26.	24728	SPACER
27.	26935	BACKPLATE
28.	26319	"CARDINAL" DECAL
29.	1155	HHCS 1/4-20x2 1/4
30.	27018	"CAUTION" DECAL