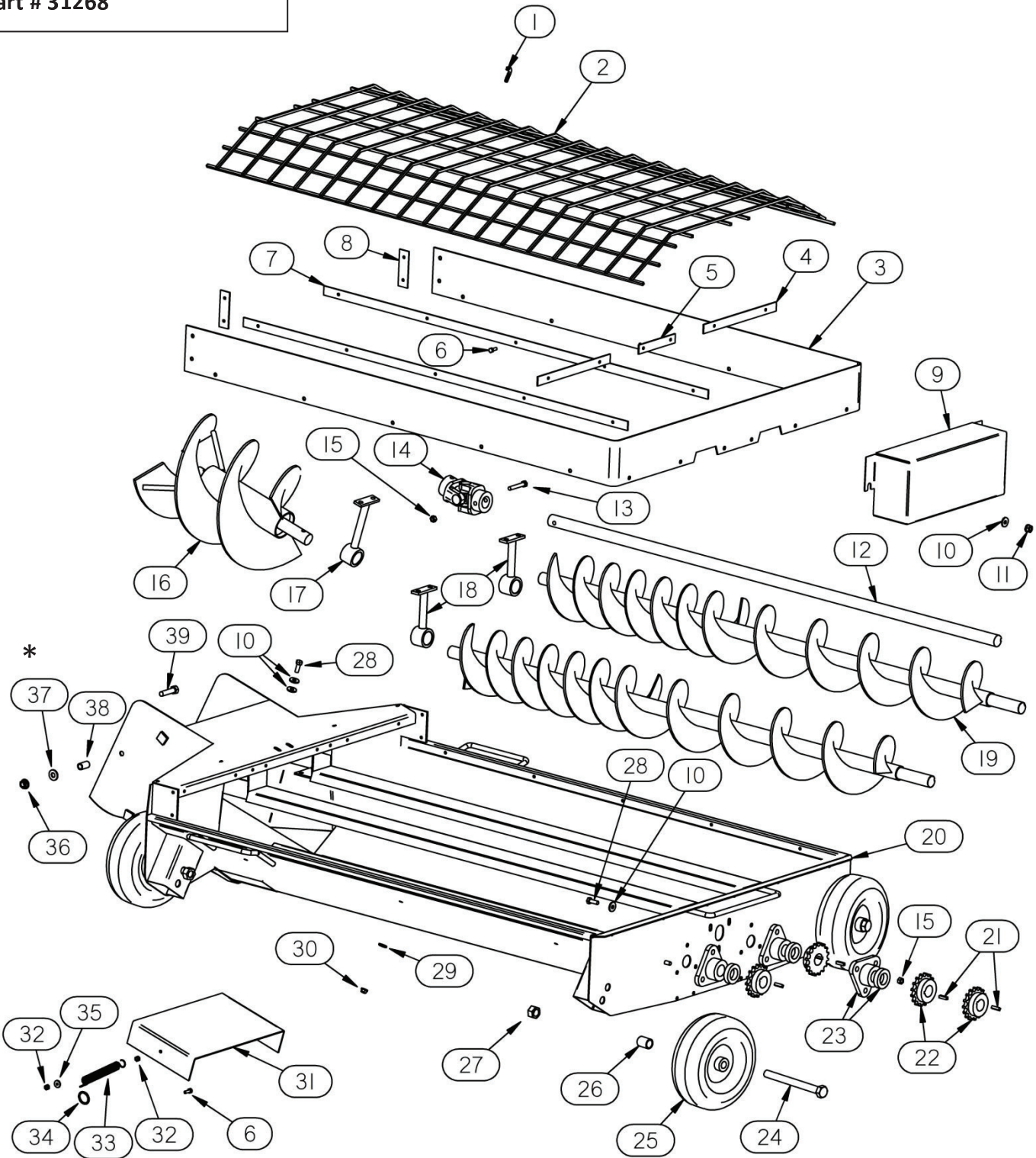


PARTS

Swing Feeder Assembly

part # 31268



* Item 37 (1/2" Flat Washer) is used on one side only.

Swing Feeder Assembly, complete - order part # 31268

- consists of :

Item #	Part #	Description	Qty
1	30723	J-bolt, 5/16-18 x 1-1/2	3
2	31240	Hopper Guard Mesh	1
3	31248	Rubber Splash Guard (standard, 5 in width)	1
4	31335	End Splash Retainer	2
5	31239	Splash Retainer, short	1
6	102233	Bolt, 1/4-20 x 3/4	22
7	30561	Splash Guard Retainer	2
8	30572	Splice Plate	2
9	31238	Chain Guard, hopper end	1
10	01294	Flat Washer, 3/8	9
11	31174	Flanged Whiznut, 3/8-16	2
12	31247	Hopper Drive Shaft	1
13	24790	Coupler Bolt, 3/8 x 2-5/16	2
14	25320	Universal Joint, 1-1/4	1
15	01274	Nut, 3/8-16, centerlock	17
16	31244	Pivot Screw	1
17	31288	Hanger Bearing	1
18	30593	Hanger Bearing	2
19	31245	Hopper Screw	2
20	31257	Feed Hopper Weld Assbly	1

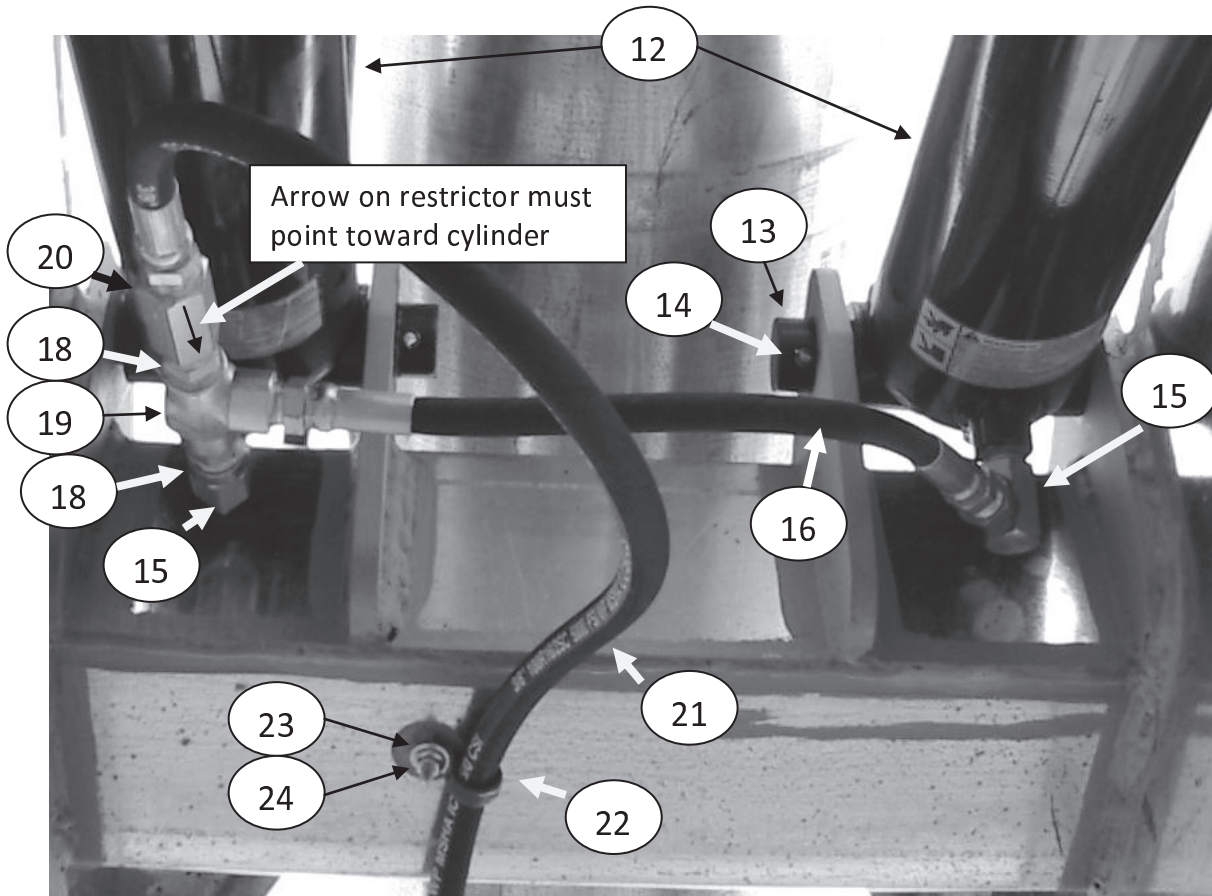
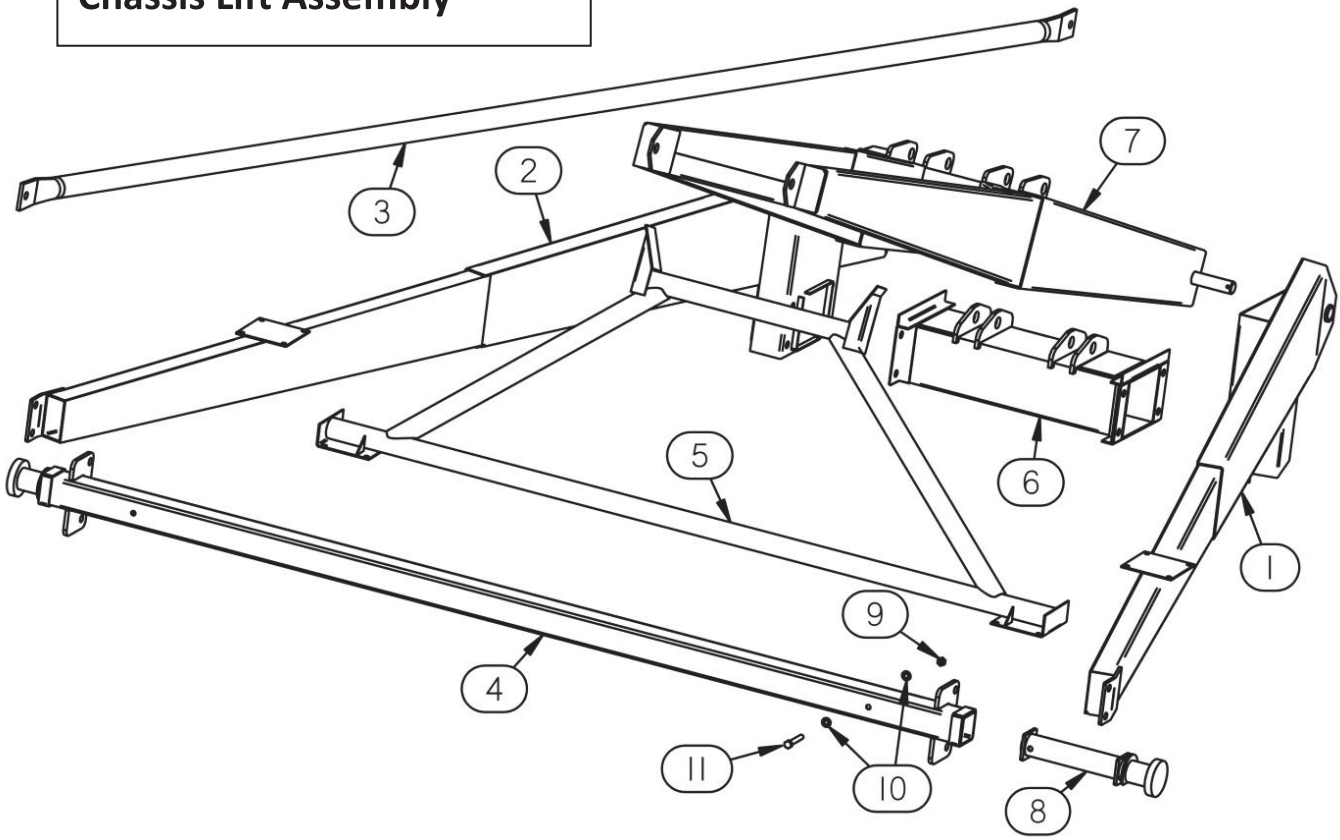
Item #	Part #	Description	Qty
21	25139	Square Key 1/4 x 1	4
22	31289	Sprocket, #50, 16 tooth	4
23	20648	Bearing, 3-bolt flange with lock collar	3
24	30714	Bolt, 3/4-10 x 8	4
25	31060	Wheel, 10 inch, flat-free	4
26	30726	Stand-off Spacer	4
27	01278	Nut, 3/4-10, centerlock	4
28	01175	Bolt, 3/8-16 x 1	15
29	01293	Washer, 5/16 flat	3
30	30624	Flanged Whiznut, 5/16-18	3
31	31223	Pivot Box Cover	1
32	01271	Nut, 1/4-20, centerlock	24
33	30724	Extension Spring	2
34	30725	Hook Ring, #6 x 1-1/4	2
35	102060	Washer, 1/4 flat	2
36	01332	Flanged Whiznut, 1/2 -13	2
37	01295	Washer, 1/2 flat	1
38	30507	Pivot Tube Spacer	2
39	01370	Bolt, 1/2 -13 x 2	2
Not shown	00128	Chain, # 50 x 34 pitches	2
	15767	Connector Link, RC50	2

Optional **12 inch Tall Splash Guard** consists of the following items :

31334	Tall Rubber Splash Guard, 12 in	1
31335	End Splash Retainer	3
30572	Splice Plate	4
102233	Bolt, 1/4 -20 x 3/4	10
01271	Nut, 1/4-20 centerlock	10

NOTE : A bronze bushing insert (part # 23416) is available as a repair part for the hanger bearings (items 17 + 18)

Chassis Lift Assembly



Chassis Lift Assembly

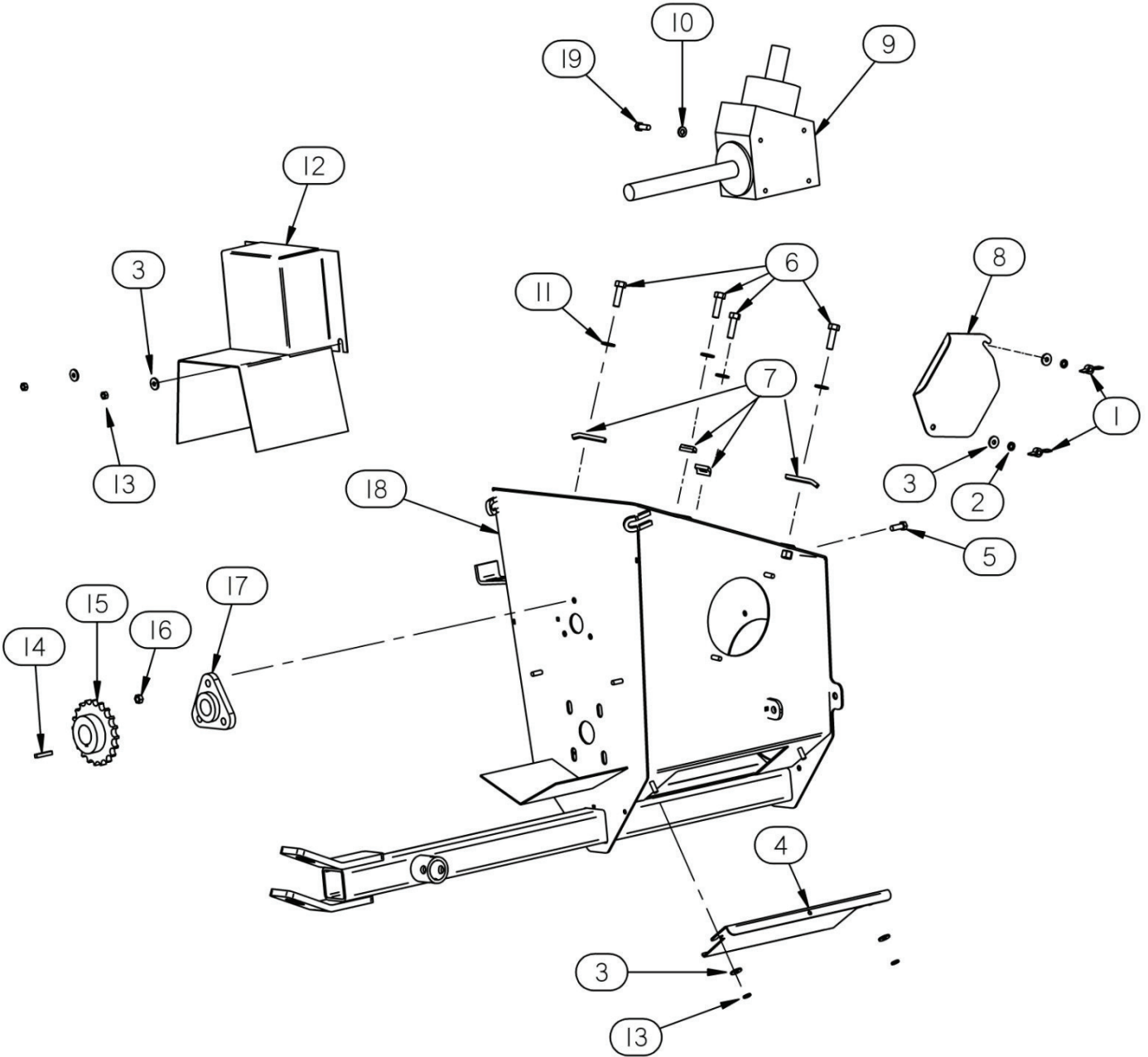
Item #	13 x 62	13 x 72 and 13 x 82	Description	Qty
	Part #			
1	31406	31263	Lower Arm – left	1
2	31405	31264	Lower Arm - right	1
3	31404	30871	Chassis Frame Arm	2
4	31403	30888	Axle Tube	1
5		31266	Lift Support	1
6		31267	Lower Cross Tube	1
7		31265	Upper Arm	1
8		30887	Axle Stub	2
9		01277	Nut, 5/8-11, centerlock	2
10		01296	Washer, flat	4
11		31164	Bolt, 5/8-11 x 5	2
12		31294	Hydraulic Cylinder, 4 x 30	2
13		30811	Cylinder Pin, long	2
14		31165	Spring Pin, 3/8 x 2-1/2	10
15		31923	Hydraulic elbow SAE-8 x 1/2 NPT	4
16		31400	Hydraulic Hose, 3/8 x 15 in	1
18		27487	Hydraulic Nipple, 1/2 in	2
19		31422	Hydraulic Tee, 1/2 in female	1
20		30006	Hydraulic Restrictor, 1/2 in female	1
21		31277	Hydraulic Hose, 3/8 x 6 ft	1
22		30753	Hose Hanger	1
23		01291	Washer, flat 1/4 in	1
24		01384	Whiznut, 1/4-20	1

Additional Hardware for Chassis :

Part #	Description	Qty
30812	Cylinder Pin, short	2
01189	Bolt, 1/2-13 x 1-1/4	8
01276	Nut, 1/2-13 center lock	8
01409	Bolt, 7/8-9 x 2	12
01320	Flat Washer, 7/8	8
01331	Nut, 7/8-9 center lock	20
30765	Bolt, 7/8-9 x 3	4
31206	Wheel Lugnut	16
30033	1/2 in NPT Breather Vent	2

Boot Assembly

part # 31272



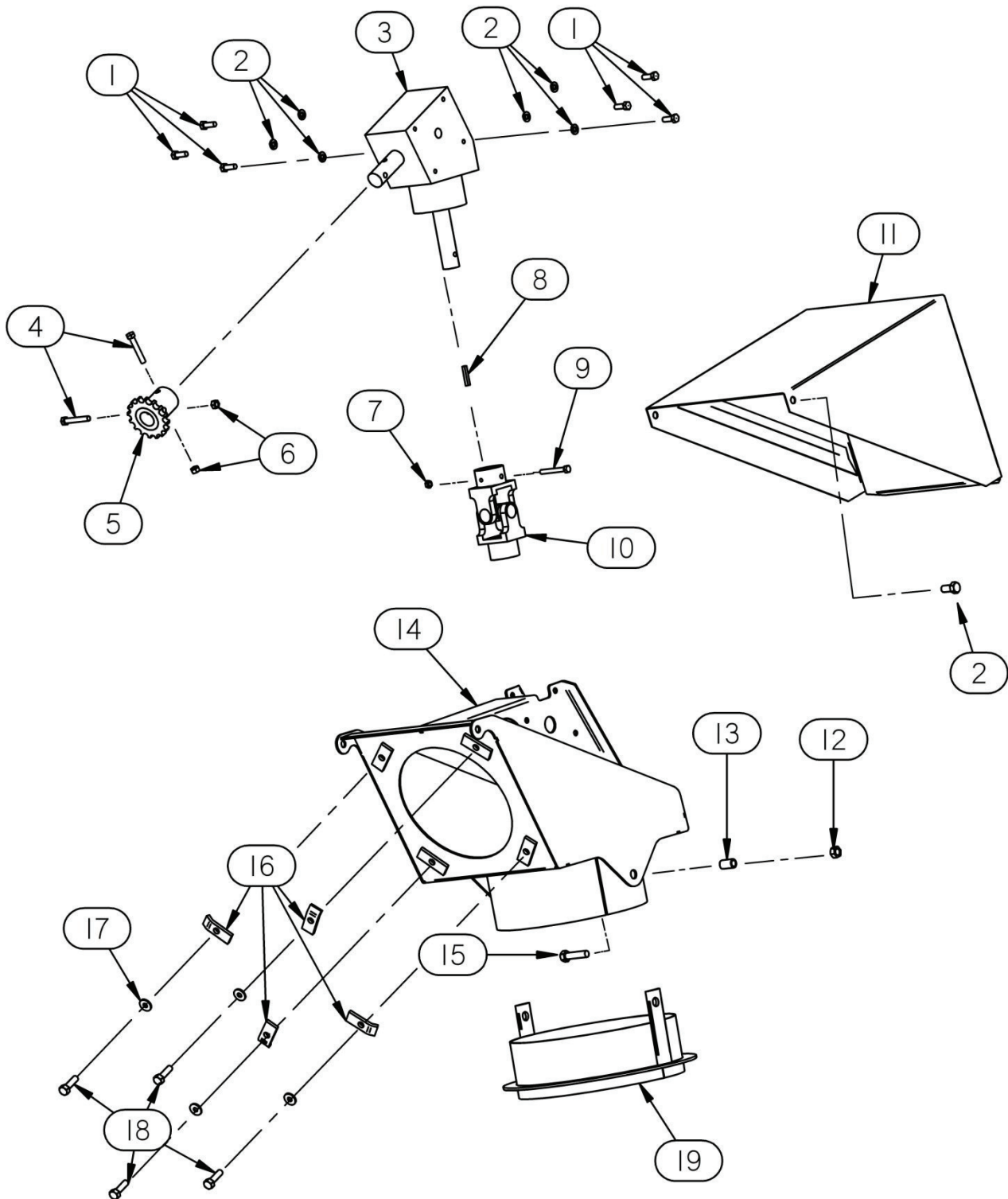
Boot Assembly, part # 31272

- consists of :

Item #	Part #	Description	Qty
1	18570	Wingnut, 5/16-18	2
2	102064	Lock Washer, 5/16	2
3	01293	Flat Washer, 5/16	6
4	30548	Access Cover, lower	1
5	01175	Bolt, 3/8-16 x 1	3
6	01428	Bolt, 7/16-14 x 1-1/2	4
7	30547	Keeper	4
8	30551	Access Cover, middle	1
9	30809	Gearbox, lower	1
10	01303	Lock Washer, 1/2	4
11	01294	Flat Washer, 3/8	4
12	30831	PTO Guard	1
13	30624	Whiznut, 5/16-18	4
14	19179	Square Key, 1/4 x 1-1/2	1
15	31292	Sprocket, #80, 20 tooth	1
16	01274	Nut, 3/8-16, centerlock	3
17	20648	Flange Bearing, 1-1/4, 3-bolt	1
18	31261	Boot Weld Assembly	1
19	01187	Bolt, 1/2-13 x 1	4
Not Shown	30769	Chain, #2/0 straight link, approx 50"	1
	30770	Snap Hook	1

Swivel Head Assembly

part # 31273

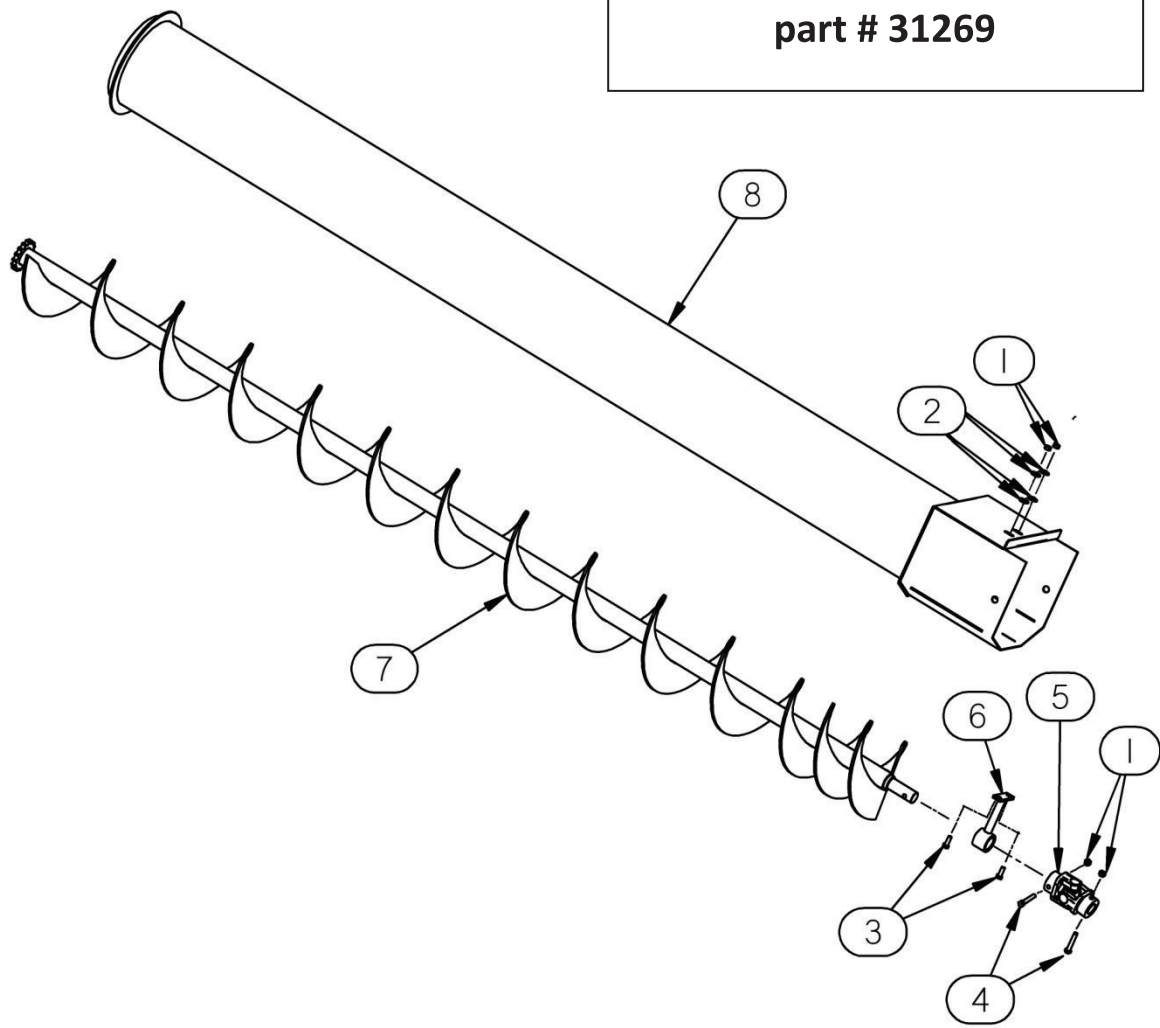


Swivel Head Assembly, part # 31273

- consists of :

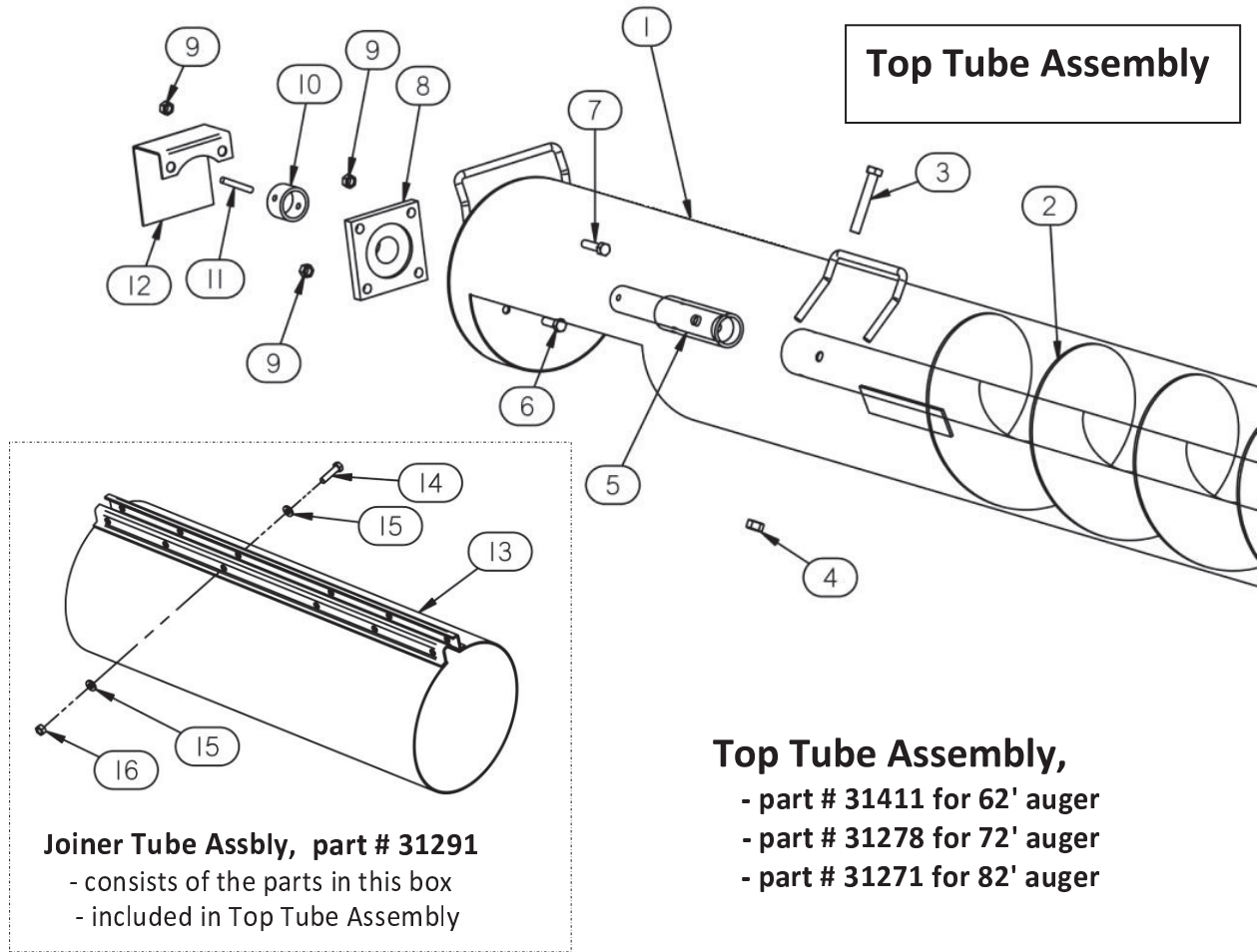
Item #	Part #	Description	Qty
1	01187	Bolt, ½-13 x 1	8
2	01303	Lock Washer, 1/2	6
3	30808	Gearbox, upper	1
4	24790	Coupler Bolt, 3/8-16 x 2-5/16	2
5	30843	Half Coupling	1
6	01274	Nut, 3/8-16, centerlock	2
7	01273	Nut, 5/16-18, centerlock	1
8	19179	Square Key, ¼ x 1-1/2	1
9	30759	Bolt, 5/16-18 x 2-1/2	1
10	30563	U-joint, 1-3/8 spline x 1-1/4 round	1
11	30838	Swivel Head Cover	1
12	01276	Nut, ½-13, centerlock	2
13	30507	Pivot Tube Spacer	2
14	31262	Swivel Head Weld Assembly	1
15	01370	Bolt, ½-13 x 2	2
16	30547	Keeper	4
17	01294	Flat Washer	4
18	01428	Bolt, 7/16-14 x 1-1/2	4
19	30842	Swivel Pivot Weld Assembly	1
Not shown	30805	D-Bulb Weatherstrip, approx 45 in	1

Incline Tube Assembly
part # 31269



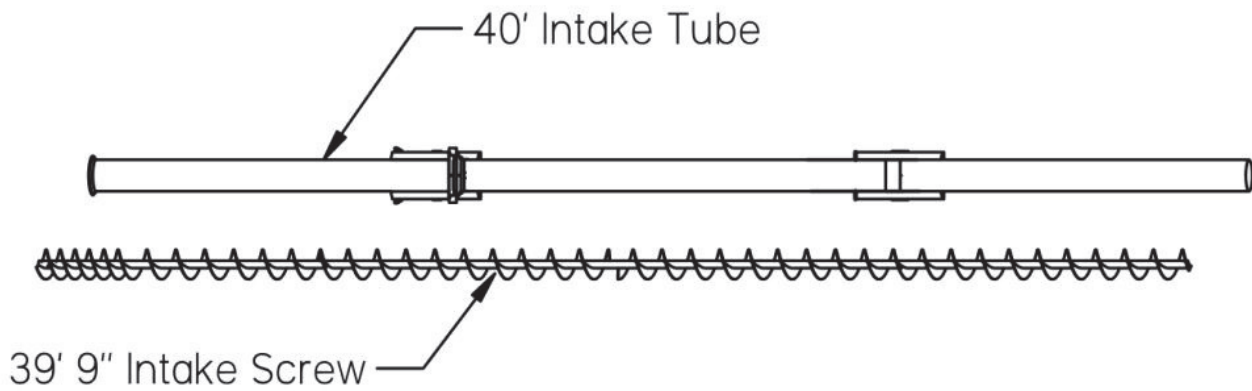
Item #	Part #	Description	Qty
1	01274	Nut, 3/8-16, centerlock	4
2	01294	Washer, 3/8 flat	4
3	01175	Bolt, 3/8-16 x 1	2
4	24790	Coupler Bolt, 3/8-16 x 2-5/16	2
5	25320	Universal Joint, 1-1/4 bore	1
6	31288	Hanger Bearing	1
7	31254	Srew Weld Assbly	1
8	31258	Incline Tube Weld Assembly	1

NOTE : A bronze bushing insert (part # 23416) is available as a repair part for the hanger bearing (item 6)



Item #	Part #	Description	Quantity		
			13x62	13x72	13x82
1	31412	Top Tube WA for 62' auger	1		
	31260	Top Tube WA for 72' auger		1	
	31256	Top Tube WA for 82' auger			1
2	31413	Discharge Screw for 62' auger	1		
	31252	Discharge Screw for 72' and 82' auger		1	1
Not shown	31253	Intermediate Screw, 10 ft length			1
	31402	3/8 Cable Clamp with short saddle	2	4	
3	31163	Bolt, 5/8-11 x 4	2		4
4	01277	Nut, 5/8-11, center lock	2		4
5	31290	Discharge Shaft		1	
6	01190	Bolt, 1/2-13 x 1-1/2		2	
7	01370	Bolt, 1/2-13 x 2		2	
8	31139	Flange Bearing, 1-3/4", 4-bolt, w/ lock collar		1	
9	01276	Nut, 1/2-13, centerlock		6	
10	31338	Thrust Collar		1	
11	31165	Spring Pin, 3/8 x 2-1/2		1	
12	31339	Top Guard		1	
13	30897	Joiner Band weld assembly		1	
14	01404	Hex Bolt, 3/8-16 x 1-1/2, grade 8		8	
15	28453	Clamp Washer, SAE 3/8		16	
16	28456	Nut, 3/8-16, centerlock		8	

Intake Tube Assembly



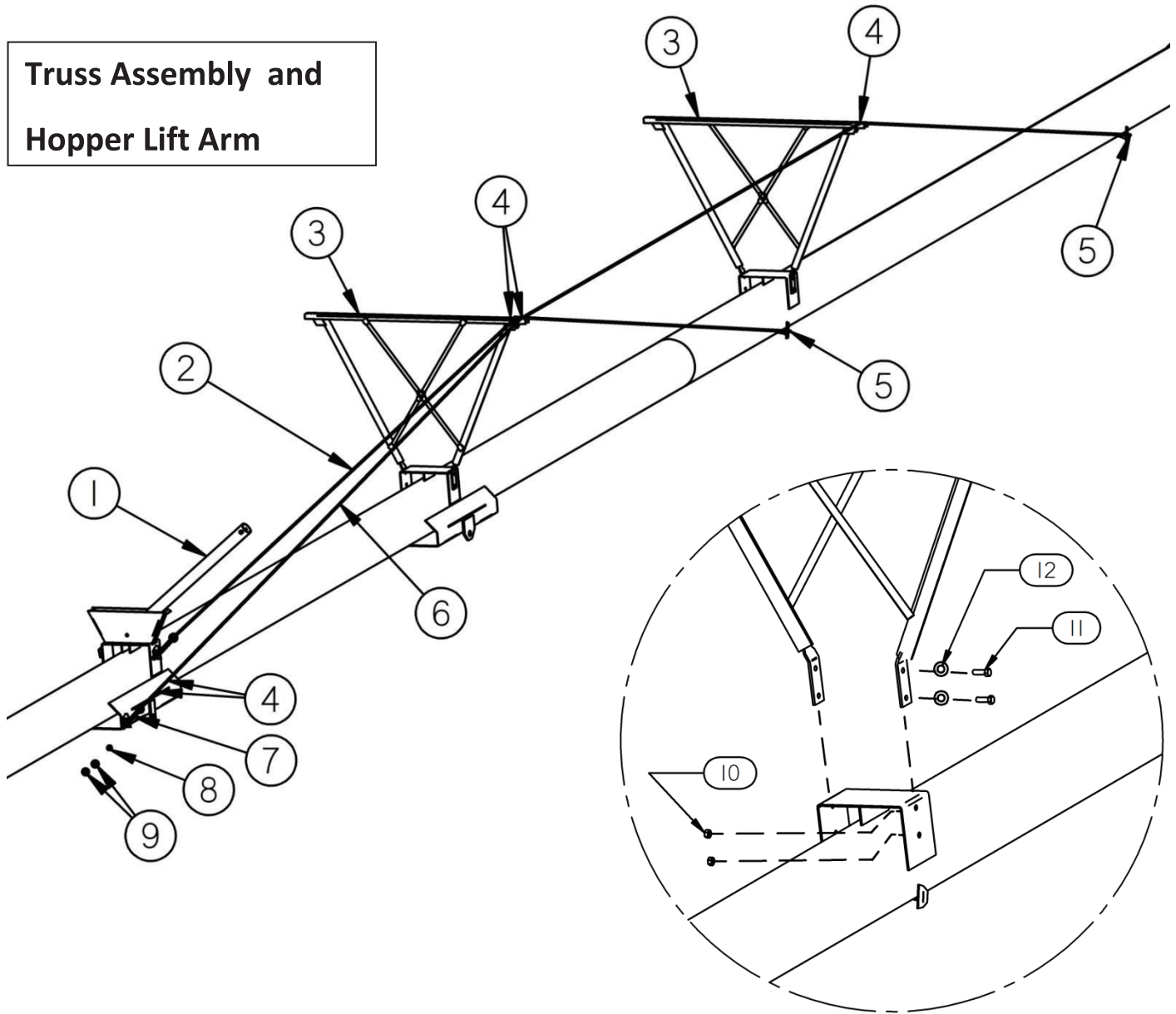
Intake Tube Assembly,

- order part # 31410 for 62' auger
or part # 31270 for 72' and 82' augers

- consists of :

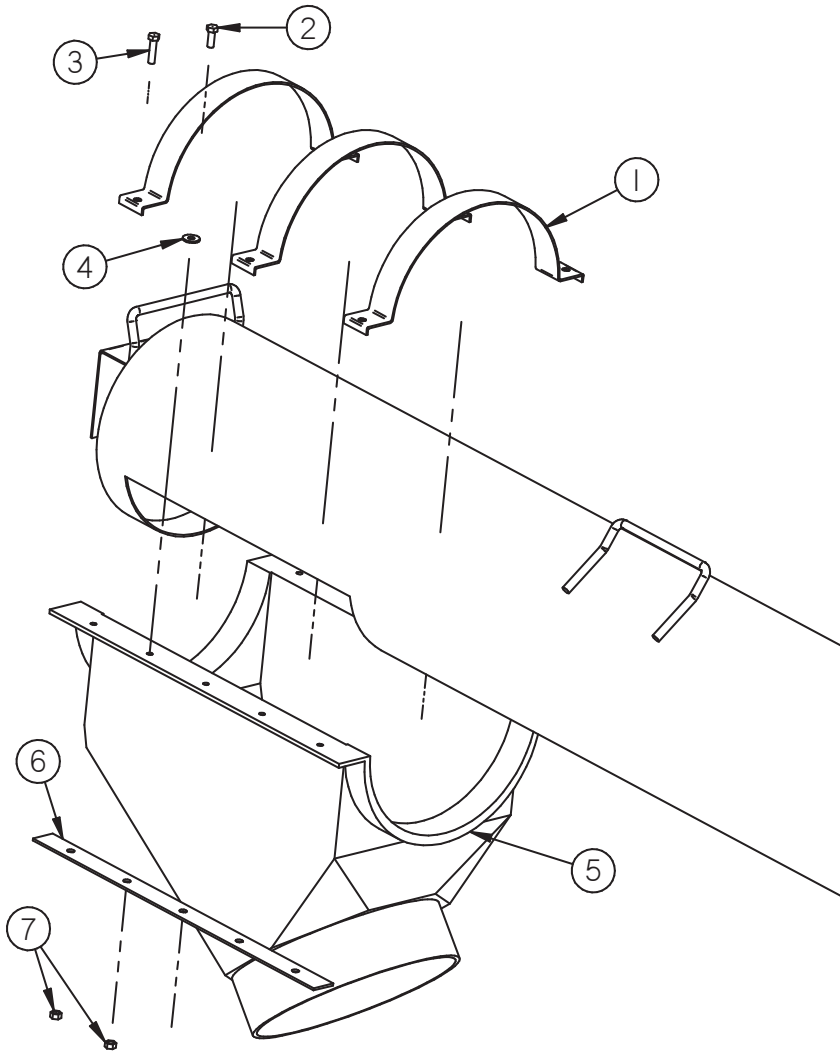
Part #	Description	Quantity
31409	Intake Tube Weld Assembly for 13x62 auger	1
31259	Intake Tube WA for 13x72 and 13x82	
31251	Intake Screw, 39 ft 9 in	1

Truss Assembly and Hopper Lift Arm



Item	Description	13 x 62	13 x 72	13 x 82
		Part # (Quantity)		
1	Hopper Lift Arm	31417 (1)	30737 (1)	
2	3/8" Steel Cable (short cable)	NA	71 ft (1)	85 ft (1)
3	Truss Support	30898 (2)		
4	3/8 Cable Clamp	31280 (8)	31280 (18)	
5	3/8 Cable Clamp with short saddle	31402 (2)	31402 (4)	
6	3/8" Steel Cable (long cable)	96 ft (1)	110 ft (1)	130 ft (1)
7	Eyebolt, 5/8-11 x 10	30787 (2)	30787 (4)	
8	Flat Washer	01296 (2)	01296 (4)	
9	Nut, 5/8-11	01330 (4)	01330 (8)	
10	Locknut 1/2-13	01276 (8)		
11	Bolt, 1/2-13 x 1-1/4	01189 (8)		
12	Flat Washer, 1/2 in	01295 (8)		

Spout Assembly



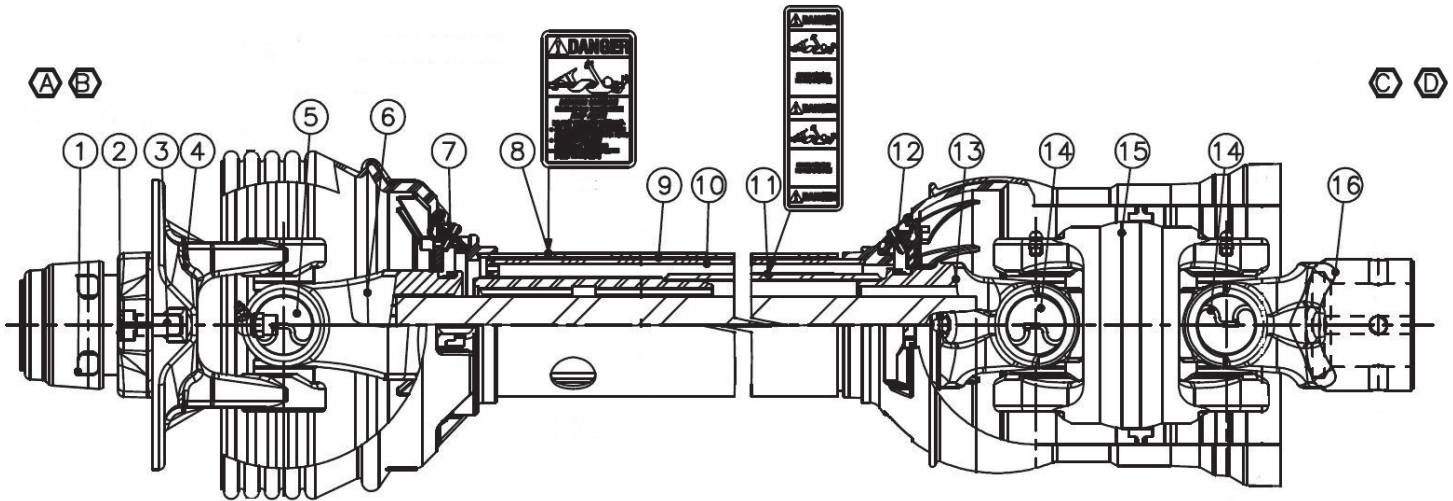
Item #	Part #	Description	Quantity
1	30845	Clamp Band Half for 13 inch	3
2	01175	Bolt 3/8-16 x 1, grade 5	4
3	01404	Bolt, 3/8-16 x 1-1/2, grade 5	6
4	01294	Flat Washer, 3/8	4
5	31063	13" Discharge Spout – Black Poly, 50 deg	1
6	30846	Backer Plate for 13" Spout	2
7	01276	Hex Nut, 3/8-16, center lock, grade 5	10

Additional Parts and Hardware

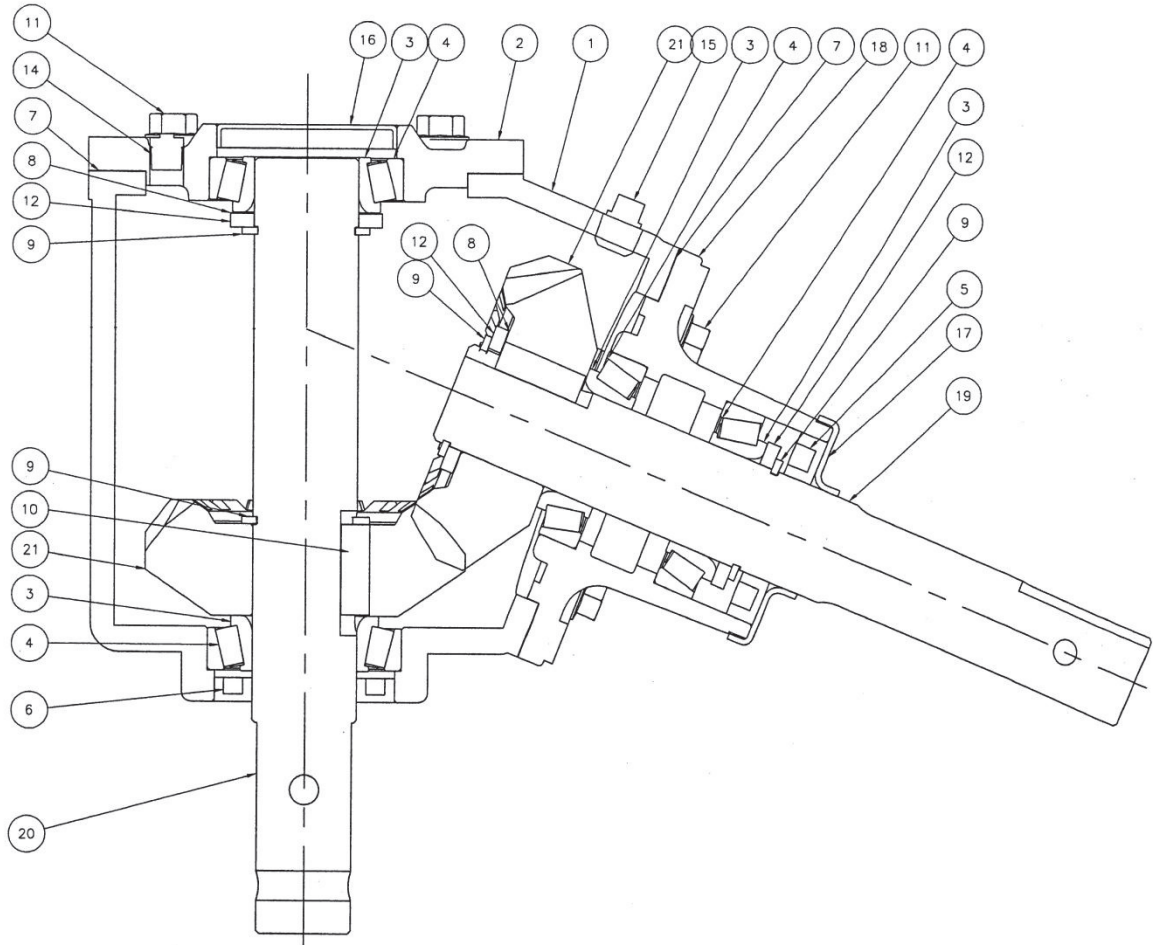
Part #	Description	Quantity
00111	Cable, 1/4 galv (7x19) 37 feet	1
20385	Cable Winch, 1500 lb	1
31139	Flange Bearing, 1-3/4 in, 4-bolt	1
30032	Hydraulic On/Off Valve	1
27487	Hydraulic Nipple 1/2 inch	1
31293	Sprocket, #80, 20 tooth, 1-3/4 in bore	1
30810	PTO Driveshaft	1
28408	Jack, swivel mount side wind	1
30031	Hydraulic Hose, 3/8 x 34 ft	1
30807	Intake Drive Shaft	1
30598	Winch Mount	1
103002	Connecting Pin	1
102042	Pin, Hitch Clip, 2-5/8 long	1
30834	Bearing Bolt weld assembly	1
31216	Hook up pin	1
01299	Washer, Flat, 1-1/4 in	2
31167	Wheel, 16 in, 8 holes on 6.5 in circle	2
26321	Decal, Cardinal 41 inch	2
26320	Decal, Cardinal 22 inch	2
00132	Connector Link for #50 Double Chain	1
31296	Double Roller Chain, RC50, 22 pitches	1
30461	Connector Link for #80 Roller Chain	1
31295	Roller Chain, RC80, 40 pitches	1
27439	Rigid Eye Spring Hook	1
30753	Hose Hanger	5
01384	Whiznut, 1/4-20	5
01291	Flat Washer, 1/4 in	5
31165	Spring Pin, 3/8 x 2-1/2	3
31163	Bolt, 5/8-11 x 4	5
01277	Nut, 5/8-11	5
26190	Cable Thimble, 1/4 in	1
15188	Cable Clamp, 1/4 in	2
27316	Square Key, 3/8 x 1-3/4	2
01175	Bolt, 3/8-16 x 1	3
01274	Nut, 3/8-16, centerlock	3
01294	Washer, Flat, 3/8	3
01276	Nut, 1/2-13, centerlock	4
01428	Bolt, 7/16-14 x 1-1/2	12
01284	Nut, 7/16-14, centerlock	12

PTO DRIVELINE

part # 30810



PARTS LIST			
ITEM	QTY.	PART NUMBER	DESCRIPTION
A	1	93-25483	JOINT & SHAFT HALF ASM. w/GUARD
B	1	95-25483	JOINT & SHAFT HALF ASM
C	1	92-25483	JOINT & TUBE HALF ASM. W/GUARD
D	1	94-25483	JOINT & TUBE HALF ASM.
1	1	26-15120	SSL/AUTO-LOK REPAIR KIT
2	1	11-14629	BOLT, 7/16-14 x 1.00 LG., GR. 8
3	1	11-11142	LOCKNUT, 7/16-14
4	1	40-10096	BALL SHEAR ASM.
5	1	03-15303	35E CROSS KIT
6	1	99-25483	YOKE & SHAFT (1.19 SQUARE)
7	1	19-15126	GUARD REPAIR KIT
8	1	13-10021	SAFETY SIGN
9	1	97-25483	OUTER GUARD
10	1	96-25483	INNER GUARD
11	1	13-10022	SAFETY SIGN
12	1	19-15129	GUARD REPAIR KIT
13	1	98-25483	YOKE, TUBE & SUP SLEEVE
14	2	03-15287	35EBL CROSS KIT
15	1	35271-1880	CV CENTER HOUSING
16	1	35441-1001	YOKE



UPPER GEARBOX
part # 30808

Parts List			
ITEM	PART NO.	DESCRIPTION	QTY
1	1089-1	CASE - 668	1
2	1140-2	COVER - 1/8 NPT	1
3	1410	BRG. CONE LM48548	4
4	1411	BRG. CUP LM48510	4
5	1474	SEAL: ϕ 1.375-2.562	1
6	1480	SEAL: ϕ 1.375-2.375	1
7	1511	SHIM - COVER (.005)	2
8	1534	SHIM: ϕ 1.375-.007	2
9	1614	SNAP RING 5160-137	4
10	1661	KEY: 3/8 SQ.	2
11	1705	BOLT: 3/8-16UNC-1.00	8
12	1824	WASHER: ϕ 2.00-.179	3
13	1850	PLUG: 1/4 NPT	2
14	1853	VENT: 5PSI - 1/8 NPT	1
15	1876	PLUG: 3/8NPT	1
16	1881	EXP. PLUG: ϕ 2.375	1
17	2828	SHIELD: ϕ 1.375	1
18	4105	COVER - QUILL	1
19	5568	QUILL SHAFT	1
20	5569	CROSS SHAFT	1
21	6213	GEAR - 17T	2

LOWER GEARBOX
part # 30809

Parts List			
ITEM	PART NO.	DESCRIPTION	QTY
1	1089-2	CASE - 668	1
2	1140	COVER	1
3	1410	BRG. CONE LM48548	4
4	1411	BRG. CUP LM48510	4
5	1474	SEAL: ϕ 1.375-2.562	1
6	1480	SEAL: ϕ 1.375-2.375	1
7	1511	SHIM - COVER (.005)	2
8	1534	SHIM: ϕ 1.375-.007	2
9	1614	SNAP RING 5160-137	4
10	1661	KEY: 3/8 SQ.	2
11	1705	BOLT: 3/8-16UNC-1.00	8
12	1824	WASHER: ϕ 2.00-.179	3
13	1850	PLUG: 1/4 NPT	2
14	1873	Grease Zerk:1/4-28 UNF	1
15	1876	PLUG: 3/8	1
16	1881	EXP. PLUG: ϕ 2.375	1
17	2828	SHIELD: ϕ 1.375	1
18	4105-1	COVER - QUILL	1
19	5570	QUILL SHAFT	1
20	5571	CROSS SHAFT	1
21	6213	GEAR - 17T	2
22	1879	VENT: 3/8	1

