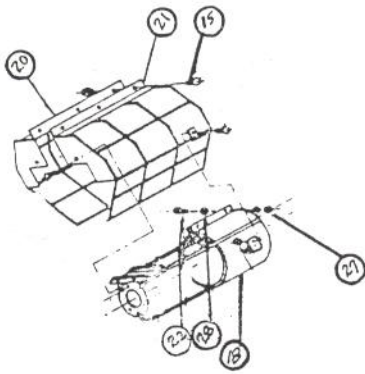
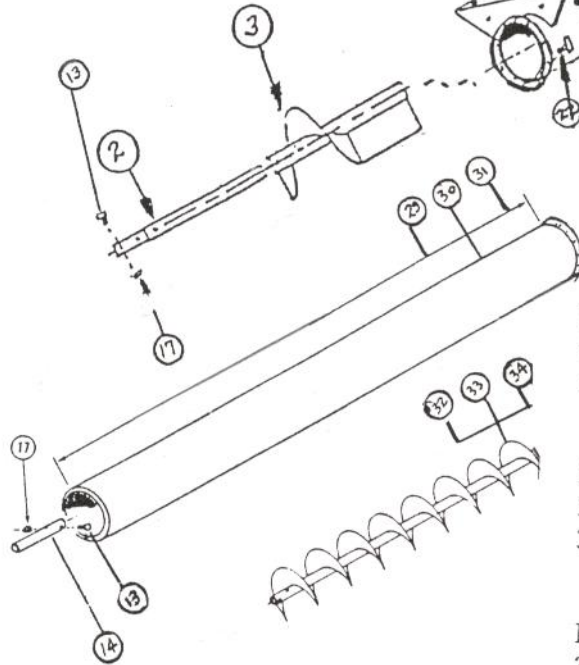
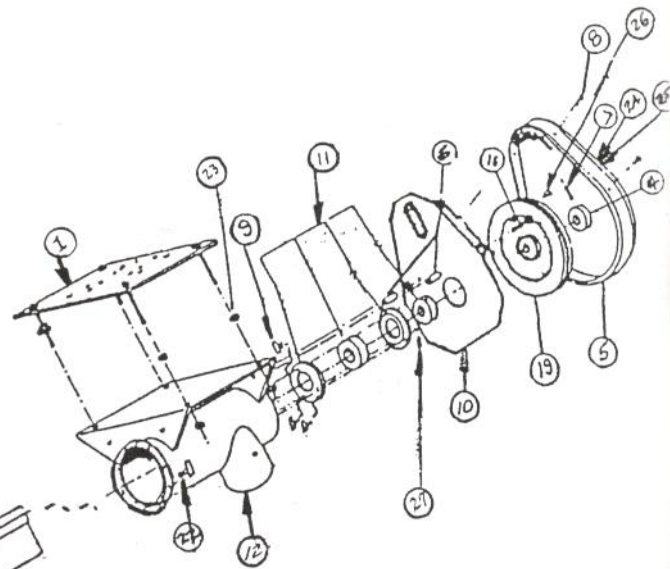




6" UTILITY AUGER KITS



FOR 11' UNLOAD USE KEY #:  
 29. A20992 10'6" SF TUBE  
 32. A20983 11' SCREW

FOR 16' UNLOAD USE KEY #:  
 30. A17409 15' SF TUBE  
 33. A20986 15'6" SCREW

FOR 21' UNLOAD USE KEY #:  
 31. A20995 19'10" SF TUBE  
 34. A20988 20'2" SCREW

KEY #	PART #	DESCRIPTION
1.	A24413	MOTOR MT w/a
2.	24415	DRIVE SHAFT
3.	A24411	DIS SCREW
4.	15502	COLLAR
5.	A27496	BELT GUARD
6.	23043	SPACER
7.	15389	SPRING PIN
8.	1319	SELF TAP SCREW
9.	1214	CARR BOLT
10.	26999	BACKPLATE
11.	A16878	BEARING 7/8
12.	A24409	DIS HEAD w/a
13.	23069	COUPLER BOLT
14.	15606	INTAKE SHAFT

KEY #	PART #	DESCRIPTION
15.	1153	HHCS 1/4-20x1/2
16.	1329	HHCS 1/4-20x 1 3/4
17.	1271	LOCKNUT 1/4-20
18.	A27069	INTAKE BRG ASSY (BRUSHING-15413)
19a.	a15408	PULLEY 1GR
19b.	26324	PULLEY 2GR
20.	A25338	LT GUARD
21.	A25337	RT GUARD
22.	1159	HHDW 5/16-18x1
23.	1332	WHIZ NUT 1/2-13
24.	26319	"CARDINAL" DECAL
25.	27018	"CAUTION" DECAL
26.	15304	WOODRUFF KEY
27.	1273	LOCKNUT 5/16-18
28.	1293	FLAT WASHER 5/16