

CARDINAL®



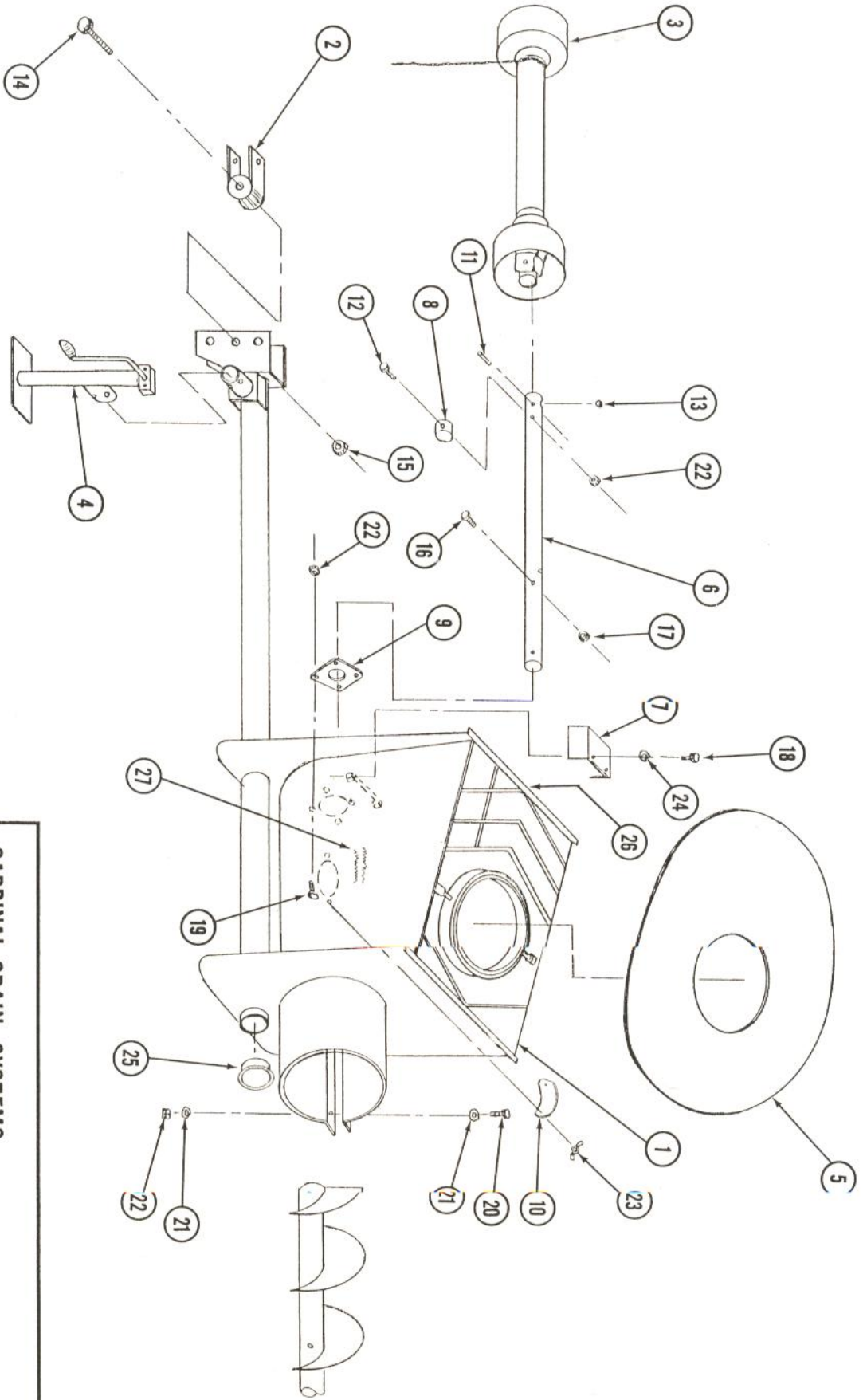
PACKING LIST

8" DIRECT DRIVE AUGER INTAKE HOPPER

	<u>PART #</u>	<u>UNIT</u>		<u>PART #</u>	<u>UNIT</u>
1) 8" INTAKE HOPPER W/A	A28430	1	6) INTAKE SHAFT	27401	1
2) GLEVIS W/A	A28583	1	7) PTO SHIELD	27403	1
3) PTO SHAFT	A27402	1	8) THRUST COLLAR	26706	1
4) JACKSTAND ASSY	A28408	1	9) FLANGE BEARING 1 1/4	A21343	1
5) RUBBER COVER	27445	1	10) COVER PLATE	27458	1

HARDWARE & DECALS

	<u>PART #</u>	<u>UNIT</u>		<u>PART #</u>	<u>UNIT</u>
11) SPRING PIN 5/16x2	26649	1	20) HHCS 3/8-16x1 1/4	1176	2
12) HHCS 3/8-16x2	1179	1	21) FLAT WASHER 3/8	1294	4
13) WOODRUFF KEY 1/4x7/8	15278	1	22) HEX LOCKNUT 3/8-16	1274	7
14) HHCS 3/4-10x3 3/4	1193	1	23) SELFLOCK WINGNUT 1/4-20	21872	2
15) HEX LOCKNUT 3/4-10	1278	1	24) LOCKWASHER 3/8	1302	2
16) HHCS 3/8-24x2 GR5	1201	3	25) PLUG	26529	1
17) HEX LOCKNUT 3/8-24	1280	3	26) "CAUTION" DECAL	23490	1
18) HHCS 3/8-16x3/4	1174	2	27) "DANGER" DECAL	23491	2
19) CARRIAGE BOLT 3/8-16x1 1/4	1218	4			



CARDINAL GRAIN SYSTEMS

INTAKE HOPPER

8" DIRECT DRIVE AUGER

SCALE:	APPROVED BY:	DRAWN BY:
DATE: 6-90		<i>RLW</i>
	REVISED	

DRAWING NUMBER