

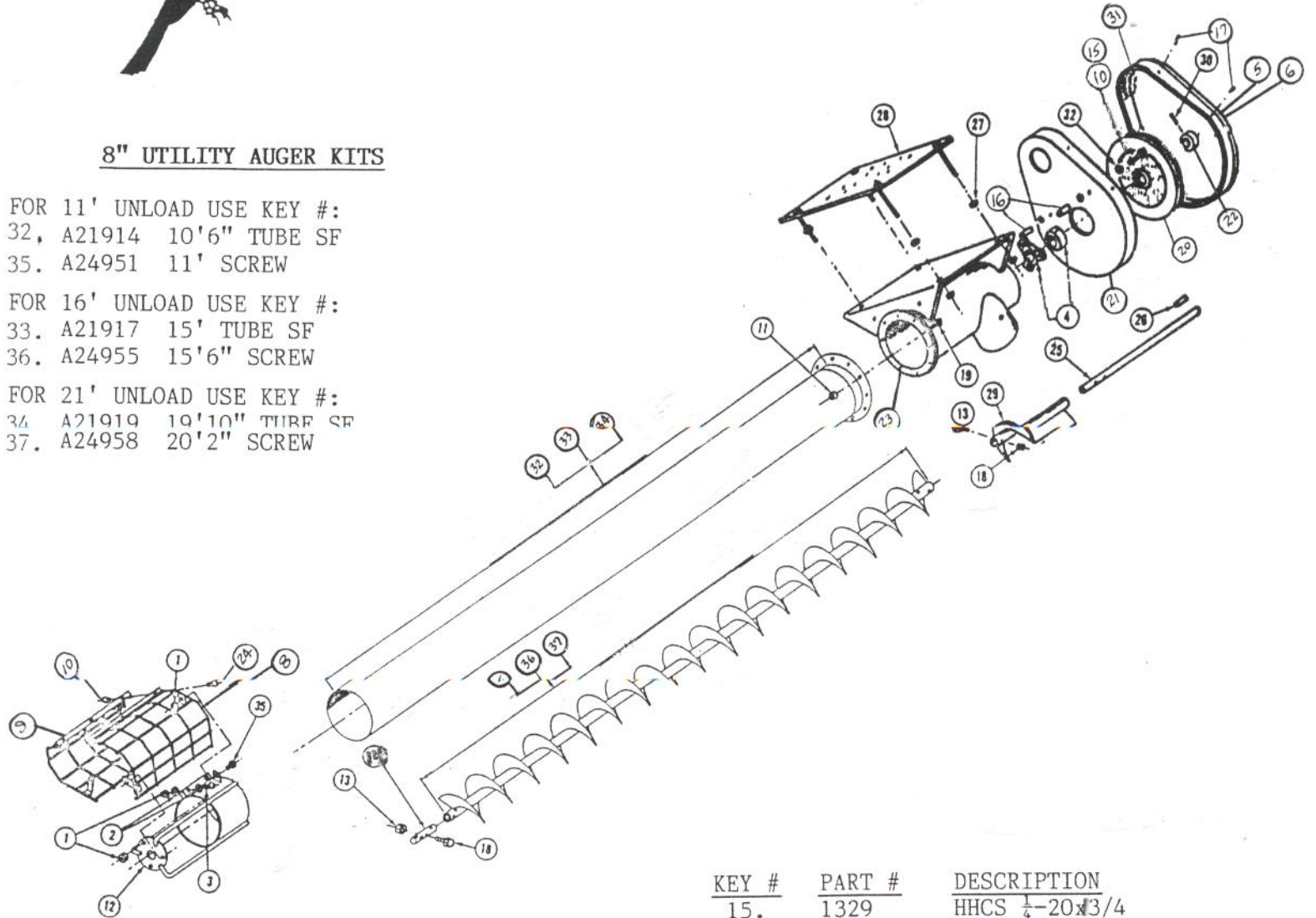


8" UTILITY AUGER KITS

FOR 11' UNLOAD USE KEY #:
 32. A21914 10'6" TUBE SF
 35. A24951 11' SCREW

FOR 16' UNLOAD USE KEY #:
 33. A21917 15' TUBE SF
 36. A24955 15'6" SCREW

FOR 21' UNLOAD USE KEY #:
 34. A21919 10'10" TUBE SF
 37. A24958 20'2" SCREW



KEY #	PART #	DESCRIPTION
1.	1274	LOCKNUT 3/8-16
2.	1294	FLAT WASHER 3/8
3.	1175	HHCS 3/8-16x1
4.	A20648	BEARING
5.	26318	"CARDINAL" DECAL
6.	27018	"CAUTION" DECAL
7.		
8.	A25310	RT GUARD
9.	A25309	LT GUARD
10.	1271	LOCKNUT 1/4-20
11.	1273	LOCKNUT 5/16-18
12.	A27083	INTAKE BRG ASSY (BUSHING: 23416)
13.	1280	LOCKNUT 3/8-24
14.	21066	SHAFT-INTAKE

KEY #	PART #	DESCRIPTION
15.	1329	HHCS 1/4-20x3/4
16.	Z3045	SPACER
17.	1318	SELF TAP SCREW #8x3/4
18.	1201	HHCS 3/8-24x2 GR5
19.	1195	HHCS 5/16-18x3/4 GR5
20.	A21059	PULLEY 12" OD 2GR
21.	26999	BACKPLATE
22.	20652	COLLAR
23.	A24354	HEAD w/a
24.	1154	HHCS 1/4-20x1
25.	24461	DRIVE SHAFT
26.	19179	SQ KEY
27.	1332	WHIZ NUT 1/2-13
28.	A24413	MOTOR MT w/a
29.	A24460	DISCH SCREW w/a
30.	10023	SPRING PIN
31.	A27496	BELT GUARD