

# CARDINAL



*Cardinal Grain Systems, Inc.*

P.O. BOX 992, COLUMBIA CITY, IN 46725 PHONE: (260) 244-4654 FAX: (260) 244-7355

**GALV. CLEATED BELT CONVEYORS**



**WIDTHS-5"-8"-10"-15"**

**CHASSIS-OR-STATIONARY**

**MINIMAL  
DAMAGE**



**BULK BAG**



**65% FILL @ 40 DEGREES**

**MANUFACTURER OF GALVANIZED GRAIN HANDLING EQUIPMENT**

## CAPACITY CHART

5" = 40° Incline	@ 65% Fill @ 272 FPM = 12.277 cu. ft. min. / 9.82 Bu./Min.	= 589 Bu. Hr.
8" = 40° Incline	@ 65% Fill @ 272 FPM = 19.644 cu. ft. min. / 15.72 Bu./Min.	= 943 Bu. Hr.
10" = 40° Incline	@ 65% Fill @ 289 FPM = 32.613 cu. ft. min. / 26.09 Bu./Min.	= 1565 Bu. Hr.
15" = 40° Incline	@ 65% Fill @ 272 FPM = 55.25 cu. ft. min. / 44.2 Bu./Min.	= 2652 Bu. Hr.

### 1/4" LAGGED - DRIVE PULLEYS

5" 6 1/2" O.D. Crowned	10" 8 1/2" O.D. Crowned
8" 6 1/2" O.D. Crowned	15" 10 1/2" O.D. Crowned

### ELECTRIC DRIVE - CHAIN REDUCTION - SPEEDS

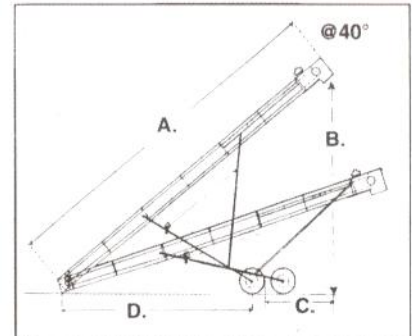
5" = 1750 RPM Motor - 3.75" O.D. Motor Pulley - 11T. to 33T. Sprockets - 12.75" O.D. Drive Pulley x 1.7 = 272 F.P.M.
8" = 1750 RPM Motor - 3.75" O.D. Motor Pulley - 11T. to 33T. Sprockets - 12.75" O.D. Drive Pulley x 1.7 = 272 F.P.M.
10" = 1750 RPM Motor - 3.35" O.D. Motor Pulley - 11T. to 33T. Sprockets - 15" O.D. Drive Pulley x 2.224 = 289 F.P.M.
15" = 1750 RPM Motor - 3.75" O.D. Motor Pulley - 11T. to 45T. Sprockets - 15" O.D. Drive Pulley x 2.7475 = 272 F.P.M.

### BELTING SPECIFICATIONS

5" PVC - 150 Lb. - 2" High Cleat @ 8" Centers	(Temp. Range) 0-180° - Max. Stretch @ Max. Load = 1.7%
8" PVC - 150 Lb. - 2" High Cleat @ 8" Centers	(Temp. Range) 0-180° - Max. Stretch @ Max. Load = 1.7%
10" PVC - 150 Lb. - 2 1/2" High Cleat @ 8" Centers	(Temp. Range) 0-180° - Max. Stretch @ Max. Load = 1.7%
15" PVC - 150 Lb. - 3" High Cleat @ 8" Centers	(Temp. Range) 0-180° - Max. Stretch @ Max. Load = 1.7%

**NOT RECOMMENDED  
FOR  
SEED QUALITY USE  
WHEN  
MATERIAL IS SMALLER  
THAN  
1/16"**

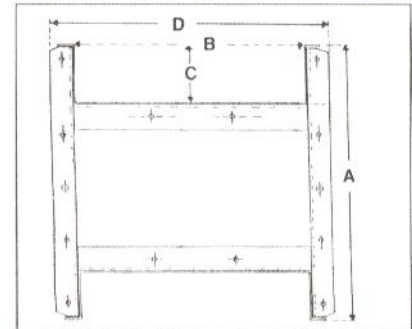
## REACH & ELEVATION



A.	19'	27'	35'	43'
B.	11'1"	16'9"	21'6"	26'4"
C.	4'	5'6"	10'	12'11"
D.	10'1"	15'3"	16'3"	20'

## HORSEPOWER CHART

	19'	27'	35'	43'
5"	2 H.P.	3 H.P.	5 H.P.	5 H.P.
8"	3 H.P.	3 H.P.	5 H.P.	5 H.P.
10"	3 H.P.	3 H.P.	5 H.P.	5 H.P.
15"	5 H.P.	5 H.P.	7.5 H.P.	7.5 H.P.

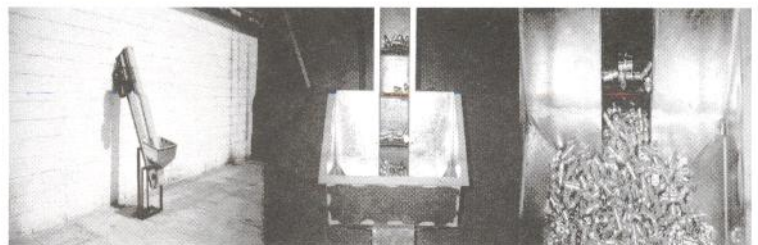


	A	B	C	D
5"	11 <sup>9</sup> / <sub>16</sub> "	5 <sup>1</sup> / <sub>16</sub> "	2 <sup>1</sup> / <sub>2</sub> "	8 <sup>7</sup> / <sub>32</sub> "
8"	11 <sup>9</sup> / <sub>16</sub> "	8 <sup>1</sup> / <sub>16</sub> "	2 <sup>1</sup> / <sub>2</sub> "	11 <sup>7</sup> / <sub>32</sub> "
10"	14 <sup>11</sup> / <sub>32</sub> "	10 <sup>1</sup> / <sub>16</sub> "	3"	13 <sup>7</sup> / <sub>32</sub> "
15"	17 <sup>17</sup> / <sub>32</sub> "	15 <sup>1</sup> / <sub>16</sub> "	3 <sup>1</sup> / <sub>2</sub> "	18 <sup>7</sup> / <sub>32</sub> "

**BULK BAG HOPPER WITH SLIDE  
END VIEW AND SIDE VIEW  
34"W. x 24"L. x 12.5"H. (26.5" FILL HT.)**



**INDUSTRIAL APPLICATION-WEATHERHEAD PLANT  
GEARHEAD ELECTRIC DRIVE @ 19 R.P.M.  
ELEVATING & MOVING BRASS FITTINGS**



**SIMPLE**

**QUALITY BUILT PRODUCTS**

**SINCE 1943**

Cardinal reserves the right to make improvements in design or changes in specifications at any time without incurring any obligation to owners of units previously sold.