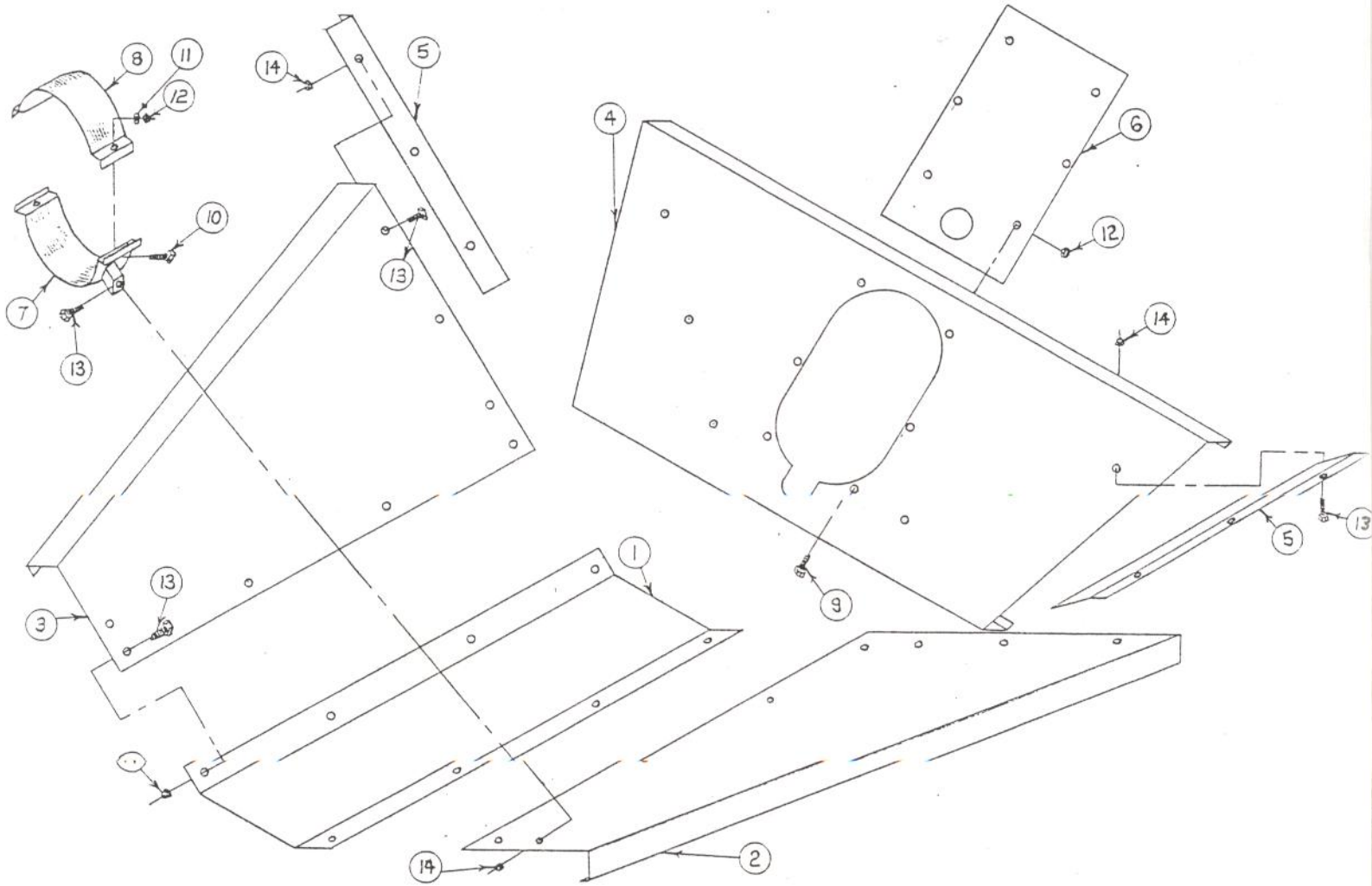


GRAVITY HOPPER
for
6", 8", 10" TRANSPORT AUGERS



<u>KEY NO.</u>	<u>PART NO.</u>	<u>QTY</u>	<u>DESCRIPTION</u>
1	29077	1	Trough Bottom
2	29078	1	Side Sheet-left
3	29079	1	Side Sheet-right
4	28063	1	Hopper End
5	29080	2	Hopper Angle
6	28068	1	Cover Plate
7a	A29083	1	6" Clamp Half W/A
7b	A29081	1	8" Clamp Half W/A
7c	A29085	1	10" Clamp Half W/A
8a	28362	1	6" Clamp Half
8b	28364	1	8" Clamp Half
8c	28366	1	10" Clamp Half
9	1174	6	HHCS, 3/8-16x3/4
10	1176	2	HHCS, 3/8-16x1 1/4
11	1294	2	Flatwasher, 3/8
12	1274	8	Locknut, 3/8-16
13	1153	22	HHCS, 1/4-20x1/2
14	1266	22	Locknut, 1/4-20