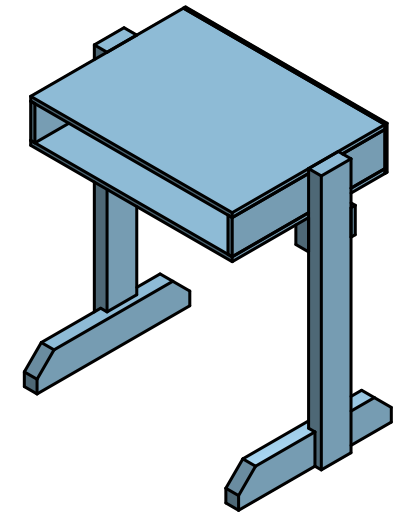
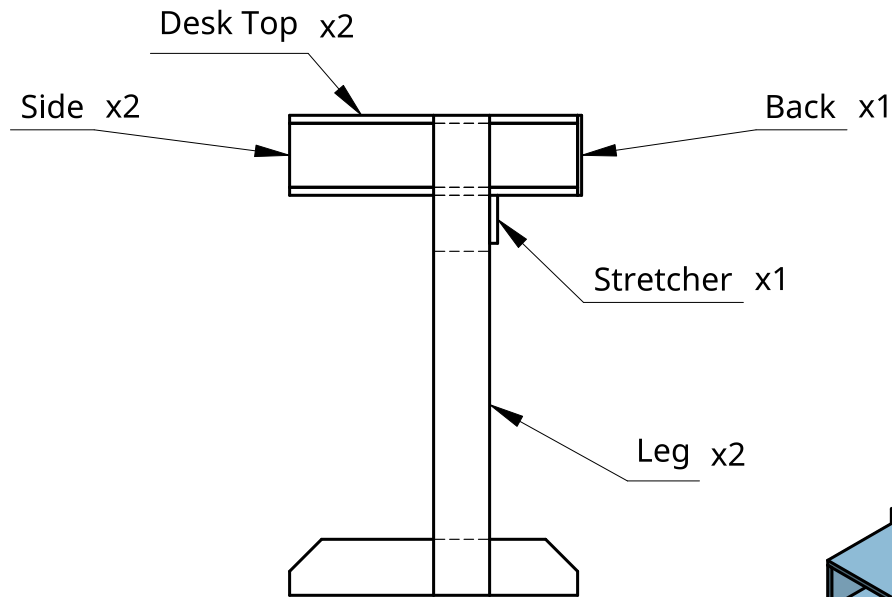
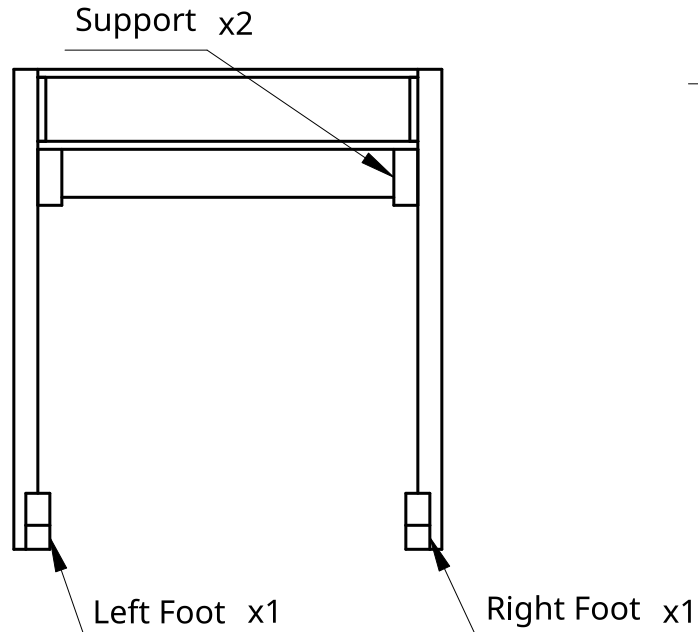


2

1



Item	Name	Quantity	Material
1	Desk Top	2	Birch
2	Side	2	Birch
3	Stretcher	1	Birch
4	Leg	2	Douglas Fir
5	Support	2	Douglas Fir
6	Back	1	1/4 Birch Ply
7	Left Foot	1	Douglas Fir
8	Right Foot	1	Douglas Fir

TO MAKE 4 DESKS:
 1 - 1/2" x 4' x 8' PLY
 5 - 2" x 4" x 96"

UNLESS OTHERWISE SPECIFIED, DIMENSIONS ARE IN INCHES .XX = ±.0- .XXX = ±.00- .XXXX = ±.000- SURFACE FINISH ✓ DO NOT SCALE DRAWING BREAK ALL SHARP EDGES AND REMOVE BURRS THIRD ANGLE PROJECTION	NAME	DATE	AGAWAM LIONS			
	DRAWN	F. Terramagra				12/05/2020
	CHECKED	R. Lanier	12/13/2020	TITLE Kids School Desk		
	APPROVED	C. Terramagra	12/13/2020			
MATERIAL	DIMENSIONS	SIZE	DWG NO.	REV.		
.5" Birch Ply	FRACTIONAL INCH	A	100100-1	E		
		SCALE	WEIGHT	SHEET		
		1:10	22.3 LBS	1 of 5		

2

1

2

1

Stretcher x4

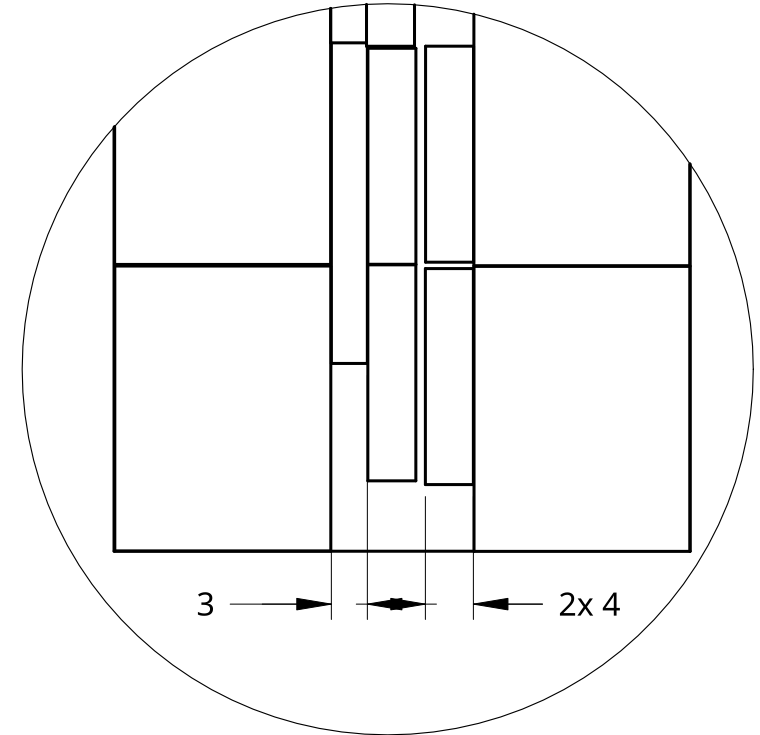
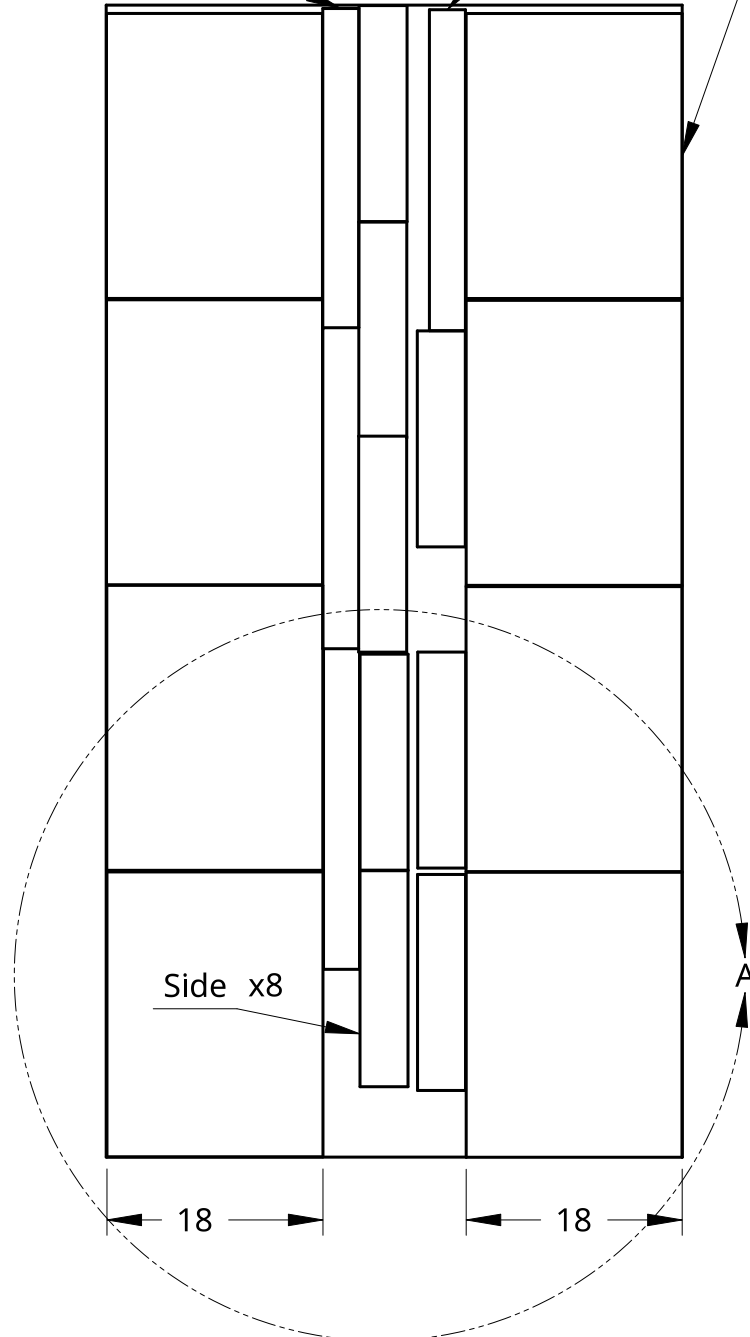
Stretcher

Desk Top x8

Item	Name	Quantity
1	4"x8" Ply	1
2	Side	8
3	Desk Top	8
4	Stretcher	4

B

B



DETAIL A
SCALE 1:16

CUT INSTRUCTIONS:

1. CUT 2 x 18" WIDE (8x TOP)
2. CUT 2 x 4" WIDE (8x Side, 1x Stretcher)
3. CUT 1 x 3" WIDE (3x Stretcher)

DWG. NO.	100100-1	SIZE	A	SCALE	1:10	SHEET	2 of 5	REV.	E
----------	----------	------	---	-------	------	-------	--------	------	---

2

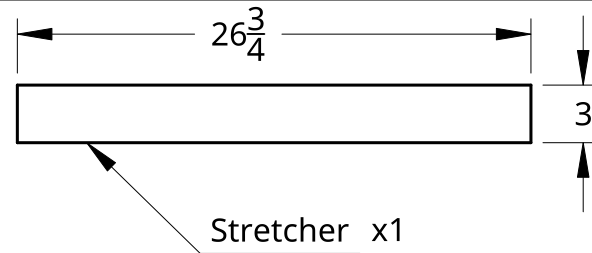
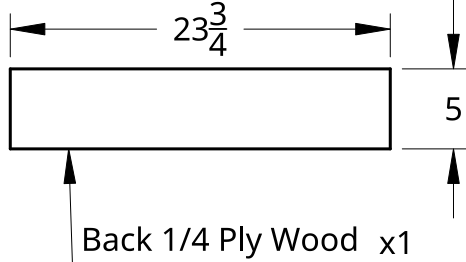
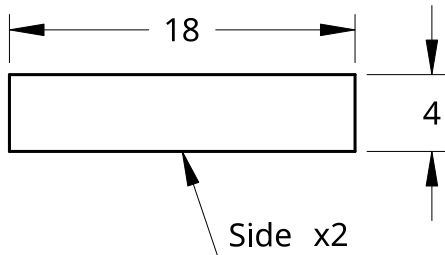
1

A

A

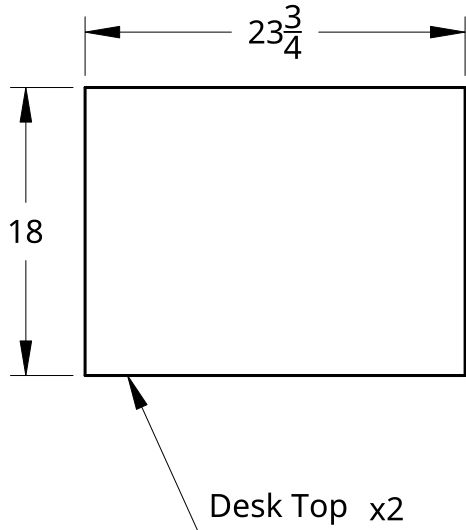
2

1

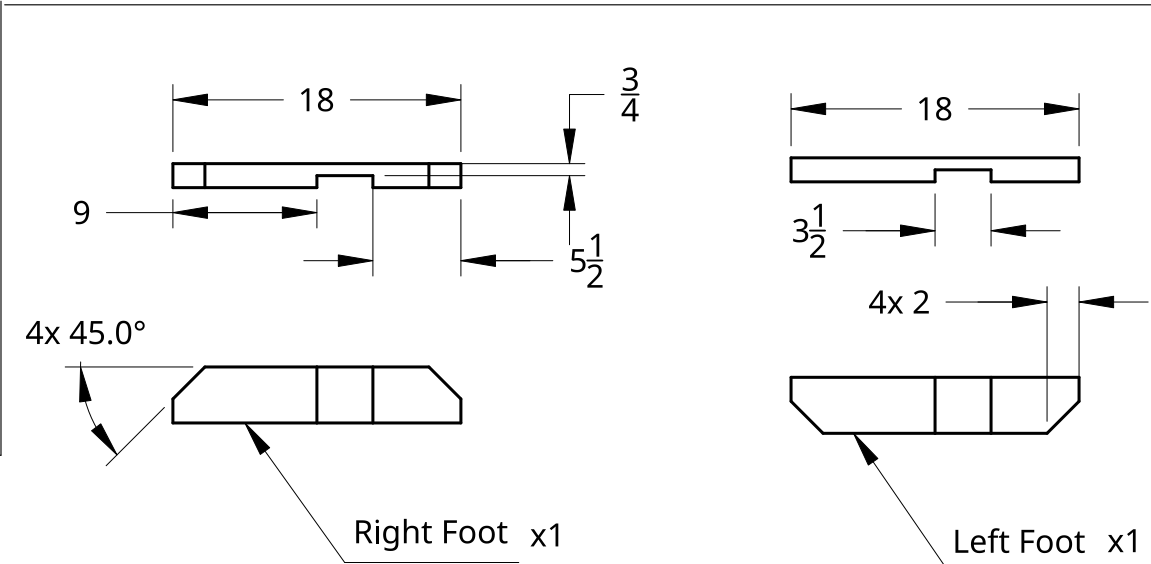


B

B

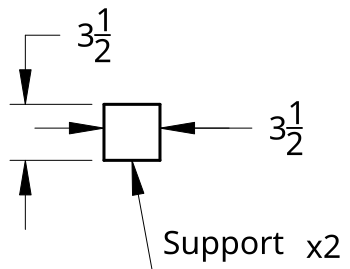
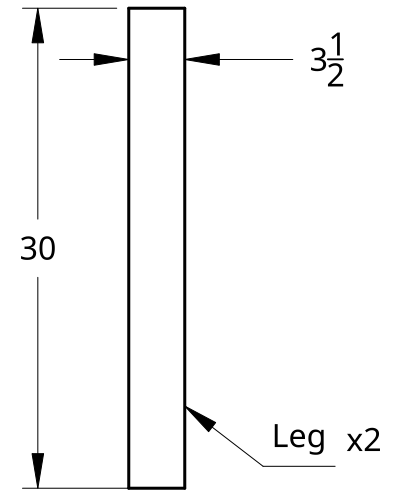


4X8 Sheet Stock
1 - 4x8 sheet will make 4 desks



A

A

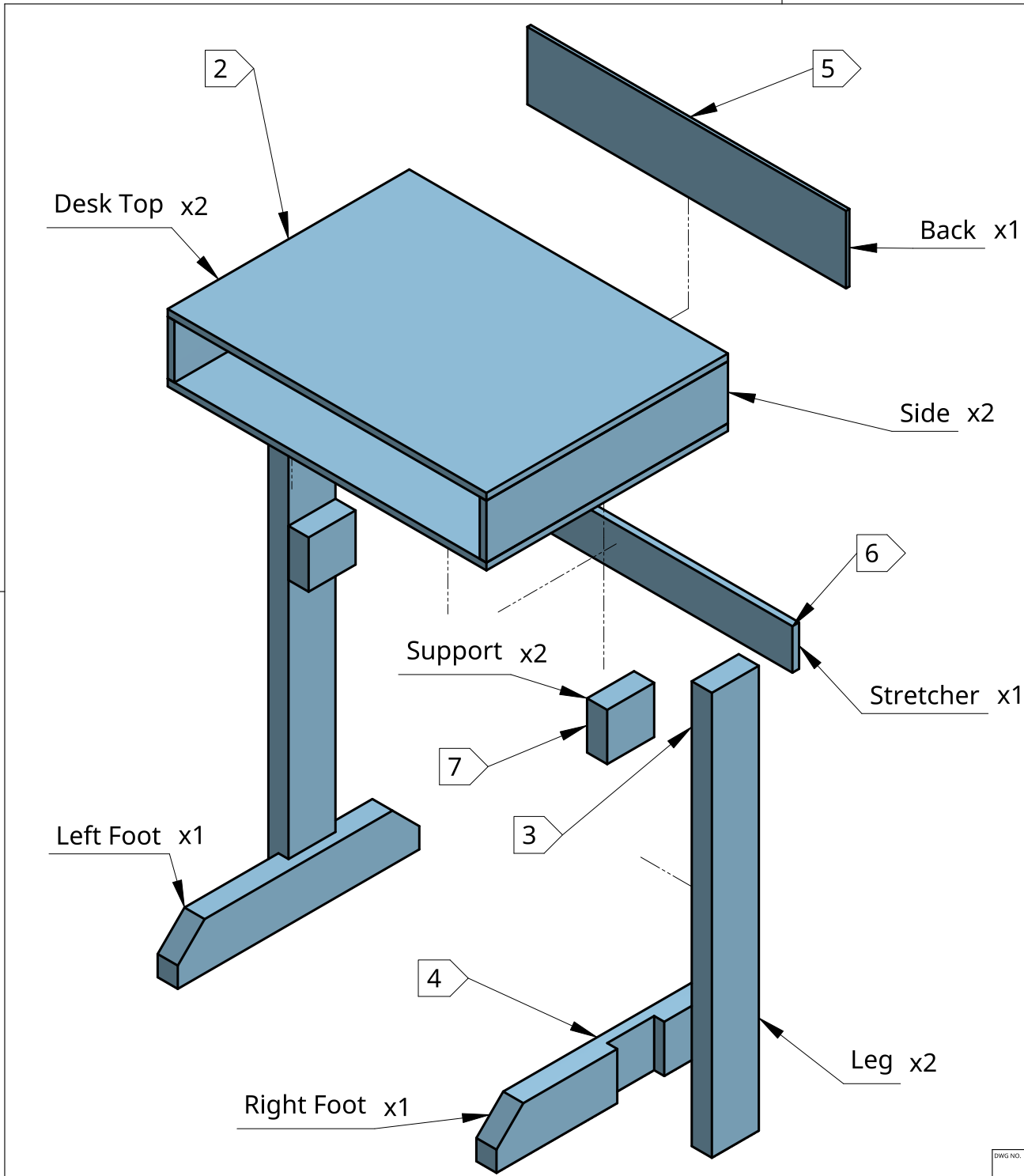


2x4x96 Stock
5 - 2x4x96 will make 4 desks

2

1

DWG NO.	100100-1	SIZE	A	SCALE	1:12	SHEET	3 of 5	REV.	E
---------	----------	------	---	-------	------	-------	--------	------	---



1 Use Titebond wood glue for all joinery. Brad nails to be either 16 or 18 gage. If brad nailer is not available a comparable length wood screw may be used.

2 Desk Top and Sides 1 1/4" brad nails.

3 Legs are attached to the Desk Top using 2x-1 5/8" wood screws on each side driven from the inside.

4 Feet driven from inside with 2" brad nails.

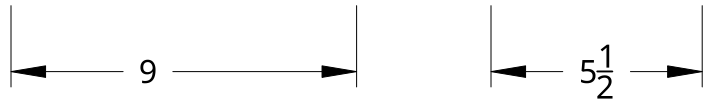
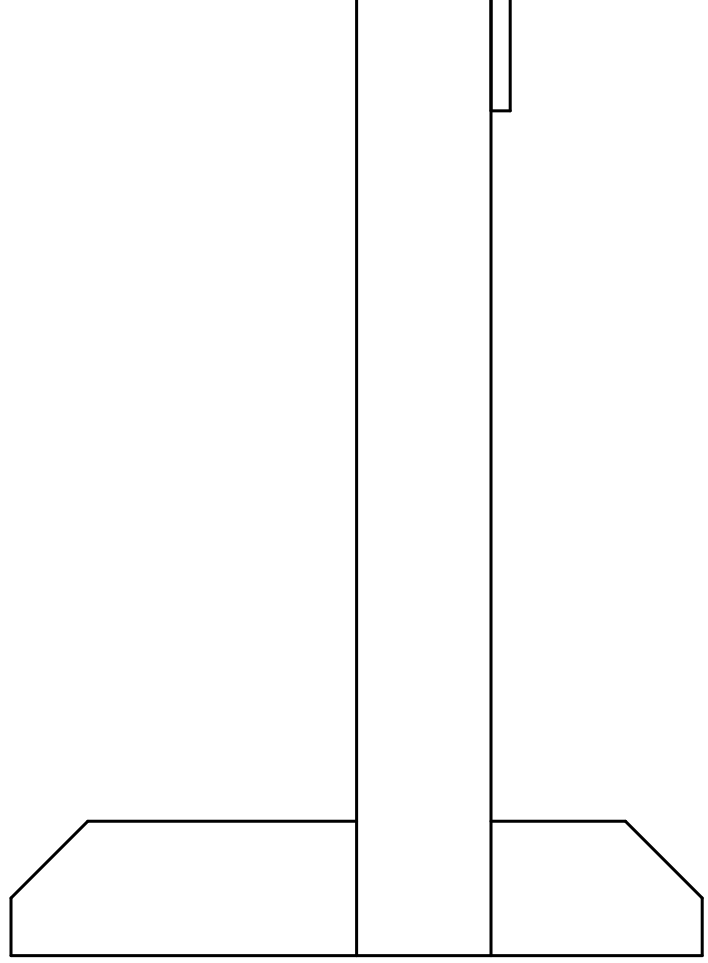
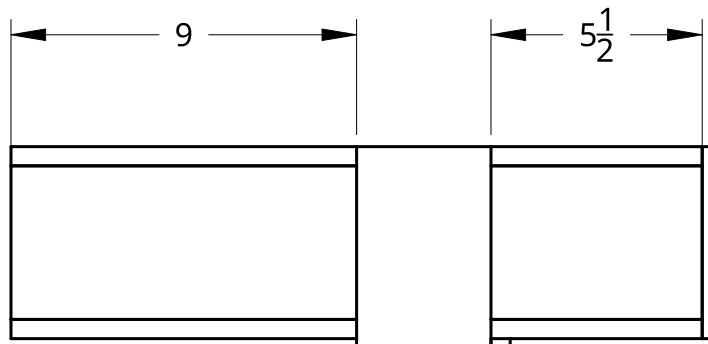
5 Back 3/4" brad nails

6 Stretcher 1 1/2" brad nails.

7 Supports 2 1/2" brad nails

2

1



B

B

A

A

2

1

DWG NO.	100100-1	SIZE	A	SCALE	1:8	SHEET	5 of 5	REV.	E
---------	----------	------	---	-------	-----	-------	--------	------	---