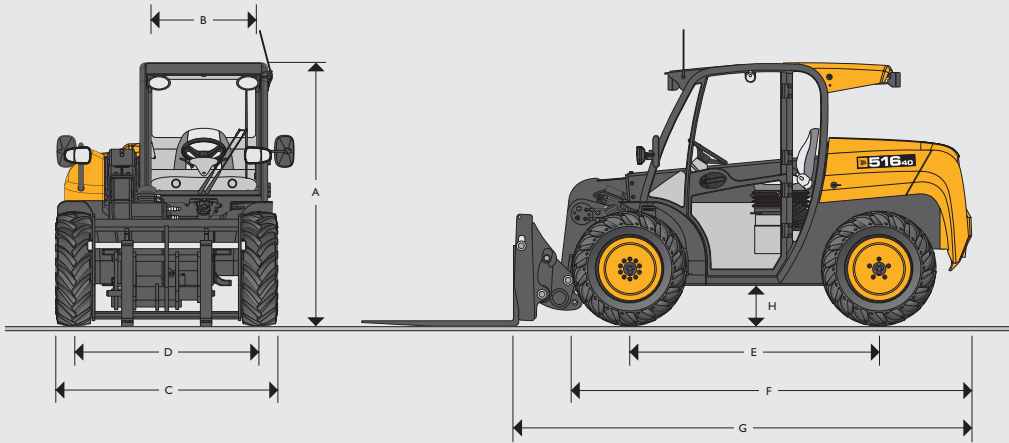


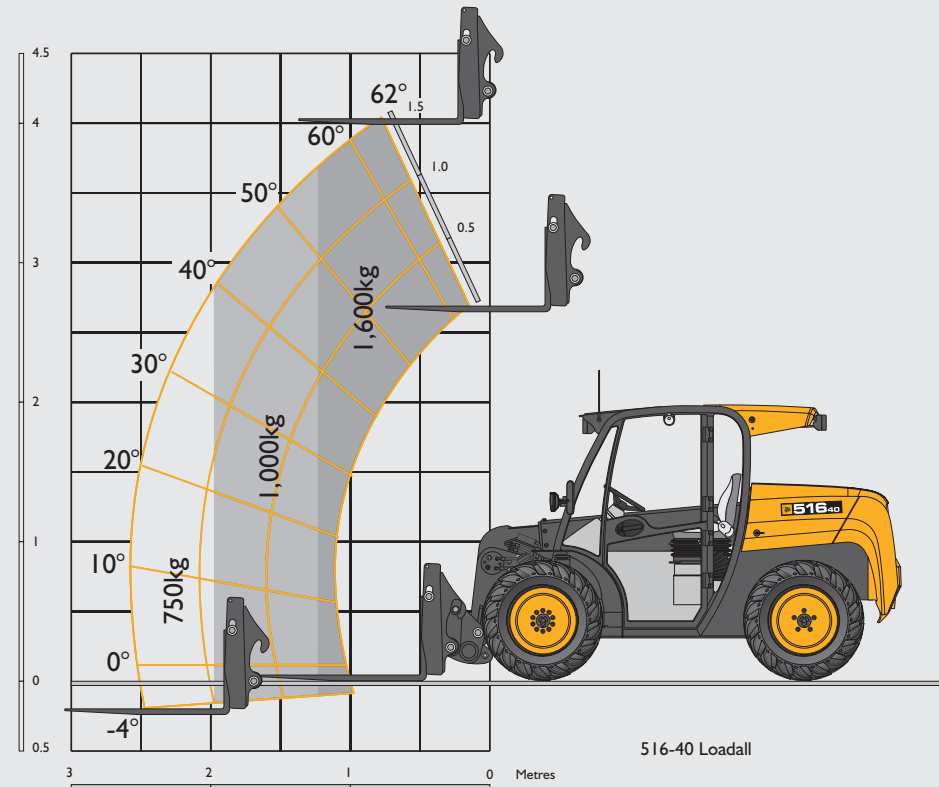
STATIC DIMENSIONS



| Machine model | | 516-40 |
|---------------|------------------------------------|-------------------------|
| A | Overall height | m 1.8 |
| | Overall height with wiper | m 1.84 |
| B | Inside width of cab | m 0.87 |
| C | Width over tyres | m 1.56 |
| D | Front track | m 1.3 |
| E | Wheelbase | m 1.75 |
| F | Overall Length to front tyres | m 2.8 |
| G | Overall length to front carriage | m 3.23 |
| H | Ground clearance | m 0.24 |
| | Outer turn radius over tyres | m 2.8 |
| | Weight | kg 3421 |
| | Carriage roll back angle at ground | degrees 35/30* |
| | Carriage dump angle at max height | degrees 30/35* |
| | Tyres | traction 255/75-15.3 |
| | | industrial 10.0/75-15.3 |
| | | semi-turf 10.0/75-15.3 |

* Compact Loadall Quickhitch/Skid Steer Quickhitch

LIFT PERFORMANCE



| Machine model | | Compact Tool Carrier Quickhitch | Skid Steer Quickhitch |
|--------------------------------|----|---------------------------------|-----------------------|
| Lift capacity to full height | kg | 1600 | 1600 |
| Lift capacity at full reach | kg | 750 | 750 |
| Payload at 2.0m boom extension | kg | 1000 | 1000 |
| Max. lift height | mm | 4045 | 4060 |
| Reach at max. lift height | mm | 460 | 380 |
| Maximum forward reach | mm | 2535 | 2455 |

Complies with stability test EN 1459 Annex B.

ENGINE

| Machine model | | 516-40 |
|------------------------------|---------|------------------------------|
| Model | | KOHLER KDW2204 CHD |
| Displacement | litres | 2.2 |
| Fuel | | Diesel |
| Cooling | | Liquid |
| Bore | mm | 88 |
| Stroke | mm | 90.4 |
| Gross power @2800 rpm | | |
| ISO 14396 | kW (hp) | 35 (47) |
| Gross torque @ 1600rpm | | |
| ISO 14396 | Nm | 130 |
| Emission certification | | EC Stage IIIA/USA EPA Tier 3 |
| Engine oil service intervals | | 500 hours |

TRANSMISSION

| Machine model | | 516-40 | |
|---------------|-----|---------------|---------|
| Type | | Hydrostatic | |
| Model | | Rexroth AA4VG | |
| | | Forward | Reverse |
| Low range | kph | 13 | 13 |
| High range | kph | 26 | 26 |

ELECTRICAL SYSTEM

| | | |
|-------------------|----------|----|
| System voltage | Volt | 12 |
| Alternator output | Amp hour | 80 |
| Battery capacity | Amp hour | 62 |

HYDRAULICS

| Machine Model | | 516-40 |
|---|---------|----------------|
| Main service pump operating system pressure | bar | 230 |
| Flow at system pressure (@2800rpm) | ltr/min | 56 |
| Maximum auxiliary flow (@230bar) | ltr/min | 56 |
| Cycle times | | seconds |
| Boom raise | | 6.6 |
| Boom lower | | 3.9 |
| Extend | | 5 |
| Retract | | 3.7 |
| Bucket dump | | 2.5 |
| Bucket crowd | | 3.3 |

SERVICE CAPACITIES

| | | |
|-----------------------|--------|----|
| Fuel tank | litres | 50 |
| Hydraulic tank | litres | 58 |
| Engine oil sump | litres | 8 |
| Engine coolant system | litres | 22 |

BRAKES

Service brakes: Hydraulically activated, drum brake on the front wheel motors.

Parking brake: Manually operated drum brake on the front wheel motors.

BOOM AND CARRIAGE

Boom is manufactured from high tensile steel. Low maintenance, hard wearing pads. JCB compact tool carrier parallel lift carriage with manual or hydraulic pin locking, accepts forkframe with integral pallet forks and a wide range of attachments. **Compact Tool Carrier:** Compact Loadall compatibility. **Skid Steer Tool Carrier:** Skid steer universal compatibility hitch.

ELECTRICS

12v negative earth. 62 AH heavy duty battery. 80 amp alternator. Full road lighting. Reversing light. Direction indicators. Hazard warning. Reverse alarm.

STEERING

Full hydrostatic power steering. Permanent 4WS with 32° lock front and rear axles provides exceptional manoeuvrability

CAB

Quiet, safe and comfortable cab conforms to ROPS ISO3471 and FOPS ISO 3449. Radio console. Arm rest. Tinted glass all round with laminated front and roof screen. Front, rear screen wash/wipe and heater/screen demister. Opening door window. Optional air conditioning or face-level fan. Visual warning system for coolant temperature, engine oil pressure, air cleaner, battery charge, transmission oil pressure, engine temperature, fuel gauge and hourmeter.

Boom control joystick incorporating forward/reverse switch. Throttle and brake pedals floor mounted. Optional fabric or vinyl adjustable, suspension seat with side mounted park brake lever. Automatic eye level audio-visual load moment indicator warning system receiving a signal from a load sensor on the rear axle. This system continuously monitors the machine's forward stability and leaves the operator in control at all times.

OPTIONS AND ACCESSORIES

Options: Road lights, work lights, rotating flashing beacon, fire extinguisher, front screen guard, sun blind, traction, industrial or semi-turf tyres, mechanical or hydraulic compact tool carrier quickhitch or Skid Steer quickhitch, battery isolator, air conditioning, face level fan, radio/speaker kit, reverse alarm, high-vis mirror, cesar data tag kit, wheel chock, grease gun, lifting points.

Attachments: GP shovel with toeplate, industrial or floating forks, power grab, sweeper/collector.

Clark Lifting Solutions LTD
 Tel: 01403 864 864
www.clarkliftingsolutions.co.uk
info@clarklifting.com
 Bridge Garage, Henfield Road, Cowfold, West Sussex, RH13 8DT.