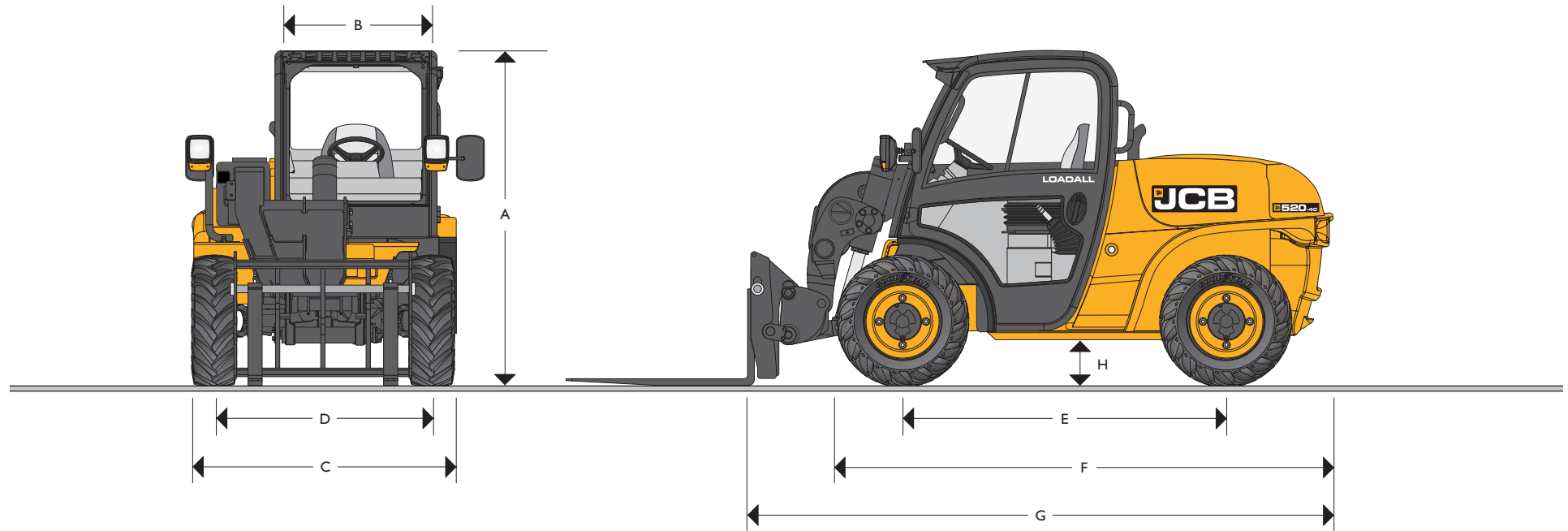


MAX. PAYLOAD: 2.0 tonnes (4409lb) MAX. LIFT HEIGHT: 4 metres (13ft 1in) MAX. HORSEPOWER: 36.3 kW (49hp)

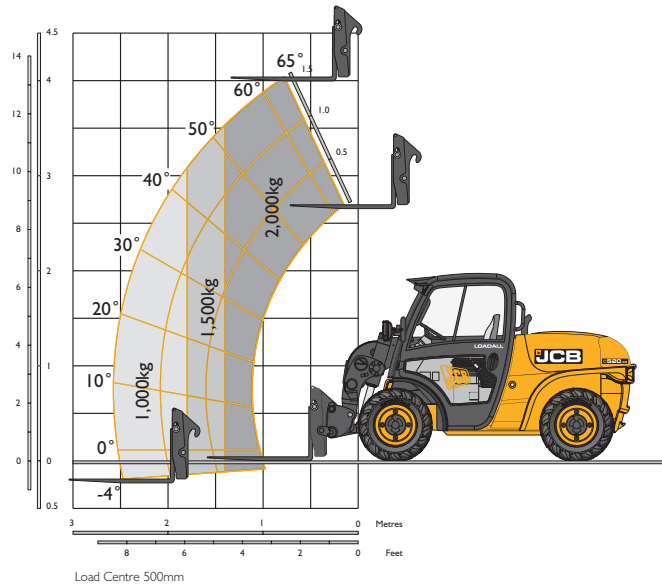


STATIC DIMENSIONS

Machine model	520-40
	m (ft-in)
A Overall height	1.97 (6-6)
B Inside width of cab	0.92 (3-0)
C Width over tyres (min)	1.56 (5-1)
D Front track	1.29 (4-3)
E Wheel base	1.90 (6-3)
F Overall length to front of tyres	2.92 (9-6)
G Overall length to front of carriage	3.38 (11-1)

Machine model	520-40
	m (ft-in)
H Ground clearance	0.27 (0-11)
Outer turn radius over tyres	3.05 (10-0)
Weight	4400 (9700)
Tyres	10x16.5 12 ply
	12x16.5 10 ply
	11.5/80x15.3 8 ply

LIFT PERFORMANCE



LIFT PERFORMANCE

Machine Model		Compact Tool Carrier	Skid Steer Tool Carrier
		520-40	520-40
Lift capacity at full height	kg (lb)	2000 (4408)	2000 (4408)
Lift capacity at full reach	kg (lb)	1000 (2204)	1000 (2204)
Max. lift height	mm (ft-in)	4035 (13-3)	4025 (13-2)
Reach at max. lift height	mm (ft-in)	890 (2-11)	815 (2-8)
Maximum reach forward	mm (ft-in)	2590 (8-6)	2515 (8-4)

LOADER PERFORMANCE

Machine Model		Compact Tool Carrier	Skid Steer Tool Carrier
		520-40	520-40
Shovel rated capacity	m ³	0.7	0.5
Breakout force	kN (kg)	36 (3700)	33 (3390)
	kg (lb)	3700 (8157)	3400 (7495)
Dump height (max)	mm (ft-in)	3555 (11-8)	3500 (11-7)
Dump angle at max height	degrees	33	40
Loadover height (max)	mm (ft-in)	4015 (13-1)	4015 (13-1)
Rollback angle at ground	degrees	38	31
Carriage rotation angle (total)	degrees	140	140
Bucket width	mm (ft-in)	1750 (5-8)	1730 (5-7)

ENGINE

		520-40
Model		Perkins Diesel 404D-22
Displacement	litres	2.2
Fuel		Diesel
Cooling		Liquid
Bore	mm	84
Stroke	mm	100
Gross power @ 2800 rpm		
ISO 14396	kW (hp)	36,3 (49)
Gross torque @ 1800 rpm		
ISO 14396	Nm (lb/ft)	140 (103.7)
Emission certification		EC Stage IIIA/USA EPA Tier 3
Engine oil service intervals		500 hours

TRANSMISSION

Hydrostatic transmission.

Closed loop variable displacement piston pump and 2 speed bent axis motor.

Transmission inching facility on operation of a combined inching and braking pedal.

Front and rear drive axles: Epicyclic hub reduction type with mid mounted drop box. Permanent 4WS and 4WD.

- Rear axle oscillation.
- Optional front and rear limited slip diff axles.
- Travel speed 20kph

BRAKES

Service brake: Hydraulically activated, disc brake on the transmission output shaft.

Parking brake: Manually operated disc brake on the transmission output shaft.

BOOM AND CARRIAGE

Boom is manufactured from high tensile steel.

Low maintenance, hard wearing pads.

JCB tool carrier parallel lift carriage with manual or hydraulic pin locking, accepts forkframe with integral pallet forks and a wide range of attachments.

Compact Tool Carrier: Compact Loadall compatibility.

Skid Steer Tool Carrier: Skid steer universal compatibility hitch.

SERVICE CAPACITIES

	litres (UK gal)
Fuel tank	61 (13.4)
Hydraulic tank	33 (7.3)
Coolant	8 (1.8)

ELECTRICS

12 V negative earth, 75 AH heavy duty battery, 65 amp alternator. Full road lighting, directive indicators, hazard warning.

HYDRAULICS

Machine model	520-40	
Operating system pressure	bar (psi)	250 (3626)
Flow at system pressure (@ 2800rpm)	ltr/min	60
Cycle times		
seconds		
Boom raise		5.8
Boom lower		4
Extend		5.7
Retract		4
Bucket dump		3.7
Bucket crowd		3.2

SAFETY CHECK VALVES

Fitted to crowd, extension and lift rams.

CAB

Quiet, safe and comfortable cab conforms to ROPS ISO3471 and FOPS ISO 3449. Tinted glass all round with laminated front and roof screen. Front, rear screen wash/wipe and heater/screen demister. Opening door window. Visual warning system for coolant temperature, engine oil pressure, air cleaner, battery charge, transmission oil pressure, engine temperature, fuel gauge and hourmeter.

Boom control lever incorporating forward/reverse switch. Throttle and brake pedals floor mounted. Adjustable deluxe suspension seat with side mounted park brake lever. Automatic eye level audio-visual load moment indicator warning system receiving a signal from a load sensor on the rear axle.

This system continuously monitors the machine's forward stability and leaves the operator in control at all times.

STEERING

Full power hydrostatic steering. Permanent 4WS with 32° lock front and rear axles provides exceptional manoeuvrability.

OPTIONS AND ACCESSORIES

Options: Work lights, rotating flashing beacon, fire extinguisher, limited slip diff front and rear axles, screen guard, sun blind, mechanical or hydraulic Compact tool carrier and Skid Steer tool carrier, battery isolator.

Attachments: Contact your local dealer for details of the comprehensive range.

A GLOBAL COMMITMENT TO QUALITY

JCB's total commitment to its products and customers has helped it grow from a one-man business into Britain's largest privately owned manufacturer of backhoe loaders, crawler excavators, wheeled excavators, telescopic handlers, wheeled loaders, dump trucks, rough terrain fork lifts, industrial fork lifts, mini/midi excavators, skid steer loaders, tractors and compaction equipment.

By making constant and massive investments in the latest production technology, the JCB factories have become some of the most advanced in the world.

By leading the field in innovative research and design, extensive testing and stringent quality control, JCB machines have become renowned all over the world for performance, value and reliability.

And with a global sales and service network of more than 650 dealers and agents, we aim to deliver the best customer support in the industry.

Through setting the standards by which others are judged, JCB has become one of the world's most impressive success stories.



Clark Lifting Solutions LTD
Tel: 01403 864 864
www.clarkliftingsolutions.co.uk
info@clarklifting.com
Bridge Garage, Henfield Road, Cowfold, West Sussex, RH13 8DT.

JCB Sales Limited, Rokester, Staffordshire ST14 5JP. Tel: 01889 590312. Fax: 01889 590588. Web: <http://www.jcb.com>

JCB reserves the right to change specifications without notice. Illustrations shown may include optional equipment and accessories. The JCB logo is a registered trademark of J C Bamford Excavators Ltd.

