

Self-propelled diesel articulating boom

- Working height : 16.25 m
- Max. outreach : 9.10 m
- S.W.L : 230 kg
- Diesel engine 45 HP
- Turret rotation : 350°
- 4 simultaneous movements
- 4 wheel drive
- 4 wheel steer
- Crab steer



40
seconds

160 ATJ

Working height16.25 m
Platform floor height14.25 m
Max. outreach9.10 m
Up and over clearance7.15 m
Jib movement+70°/-70°
Basket rotation+90°/-90°
Turret rotation350°

Capacity230 kg
External usewind 45 km/h
Basket size1.80 x 0.80 m
Lifting time40 s

① Width2.30 m
② Length7.00 m
③ Length (Travel/transport)5.00 m
④ Height2.37 m
⑤ Height (Travel/transport)2.53 m

⑥ Inside turning radius1.32 m
⑦ Outside turning radius3.66 m
⑧ Outside turning radius with basket6.21 m
⑨ Ground clearance42.5 cm
⑩ Wheelbase2.20 m
Working speed (km/h)0.8 km/h
maximum travel speed (km/h)6.0 km/h

Diesel engine
 PERKINS 404 C 2245 hp

Gradeability on rough terrain40%
Max. slope accepted5° or 9%

Hydraulic tank54 l.
Diesel tank52 l.

Tyres18"
 4 wheel drive/4 wheel steer/crab steer

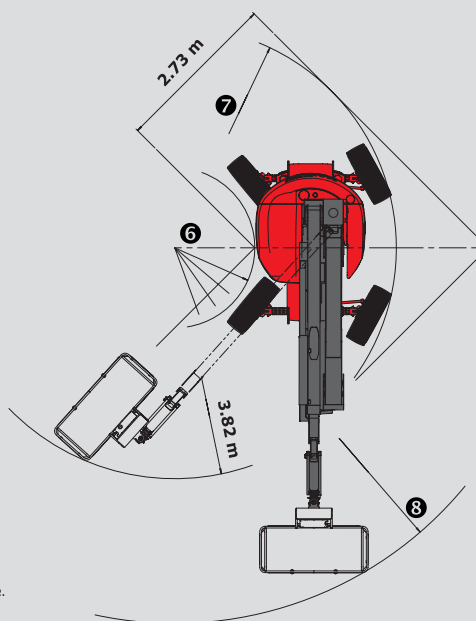
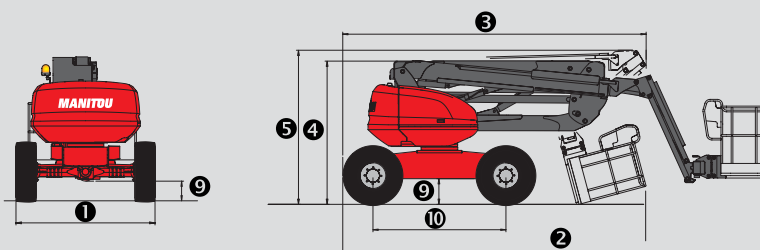
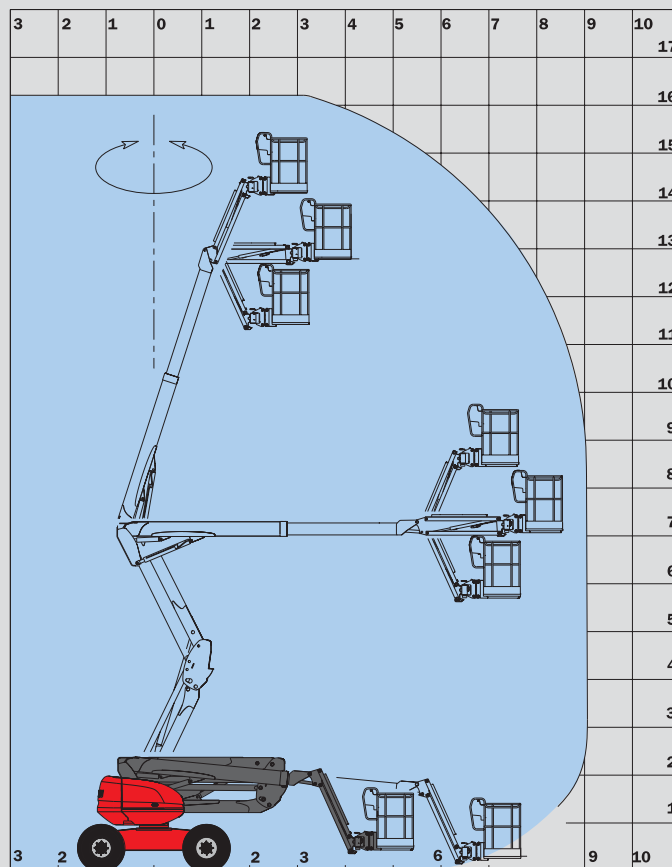
Weight7 450 kg

Standard equipment

- Proportional controls
- 4 simultaneous movements
- Foam filled tyres
- Differential lock
- Limited-slip front axle
- Diagnostic-calibrator
- hourmeter
- Low-fuel indicator
- Horn
- Flashing beacon
- Audible and visual tilt and overload alarms
- Slope over ride
- Lifting eyes
- Electric emergency pump
- Prefitted for 230 V
- Dead man's pedal
- Tool tray
- Protective cover (lockable)

Options

- **Wide basket** (2.10 m x 0.80 m) with 20" tyres
- **Oscillating axle**
- **Continuous rotation**
- **On-board generator**
- 230 V outlet with residual current device
- Prefitted for compressed air
- Prefitted for water
- Working headlight
- Special paint
- Biodegradable oil
- All movement alarm
- Beep on travel
- 20" tyres
- Catalytic purifier
- Refinery kit
- Safety harness



This publication in no way constitutes an offer and the company reserves the right to alter specification without prior notice. The equipment supplied with each model may differ from that described in this leaflet. For more details, contact your MANITOU dealer. Conformity with the machine directive (EN 280) and standards of the country of delivery.



MANITOU BF SA

B.P. 249 - 44158 Ancenis Cedex - France
 Tél. : 33 2 40 09 10 11 / Export Department Fax : 33 2 40 09 10 97
 www.manitou.com

700182EN

