

Self-propelled diesel articulating boom

- Working height : 20 m
- Max. outreach : 12 m
- S.W.L : 230 kg
- Diesel engine 45 HP
- Turret rotation : 355°
- 4 wheel drive
- 4 wheel steer
- Crab steer



200 ATJ



The working area

Working height20.00 m
 Platform floor height18.00 m
 Max. outreach12.00 m
 Up and over clearance8.00 m
 Basket rotation+90°/-90°
 Turret rotation355°



The platform

Capacity230 kg
 External use45 km/h
 Basket size2.10 m x 0.80 m



The overall dimensions

① Width2.40 m
 ② Length8.50 m
 ③ Length (Travel/transport)6.30 m
 ④ Height2.70 m
 ⑤ Height (Travel/transport)3.15 m



The movements

⑥ Inside turning radius1.30 m
 ⑦ Outside turning radius3.95 m
 ⑧ Outside turning radius with basket7.45 m
 ⑨ Ground clearance43 cm
 ⑩ Wheelbase2.40 m
 Working speed (km/h)0.8 km/h
 Maximum travel speed (km/h)4.7 km/h



The diesel engine

KUBOTA V 2403 M45 cv



The Rough Terrain capabilities

Gradeability on rough terrain40%
 Max. slope accepted5° or 9°



Hydraulic tank

.....75 l.

Diesel tank80 l.



Tyres

.....20"



Weight

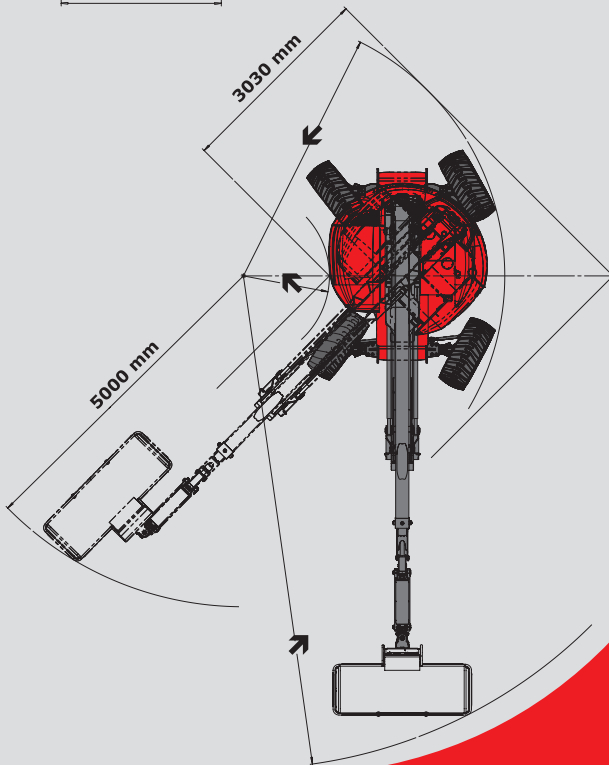
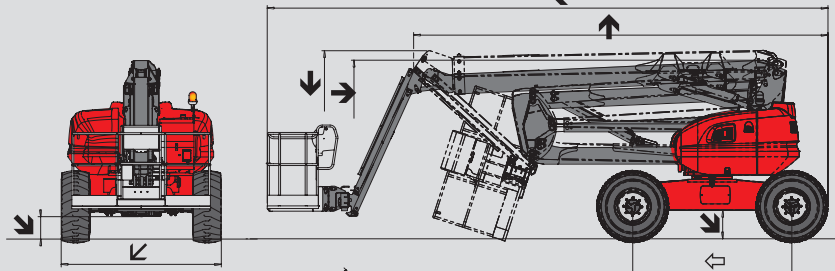
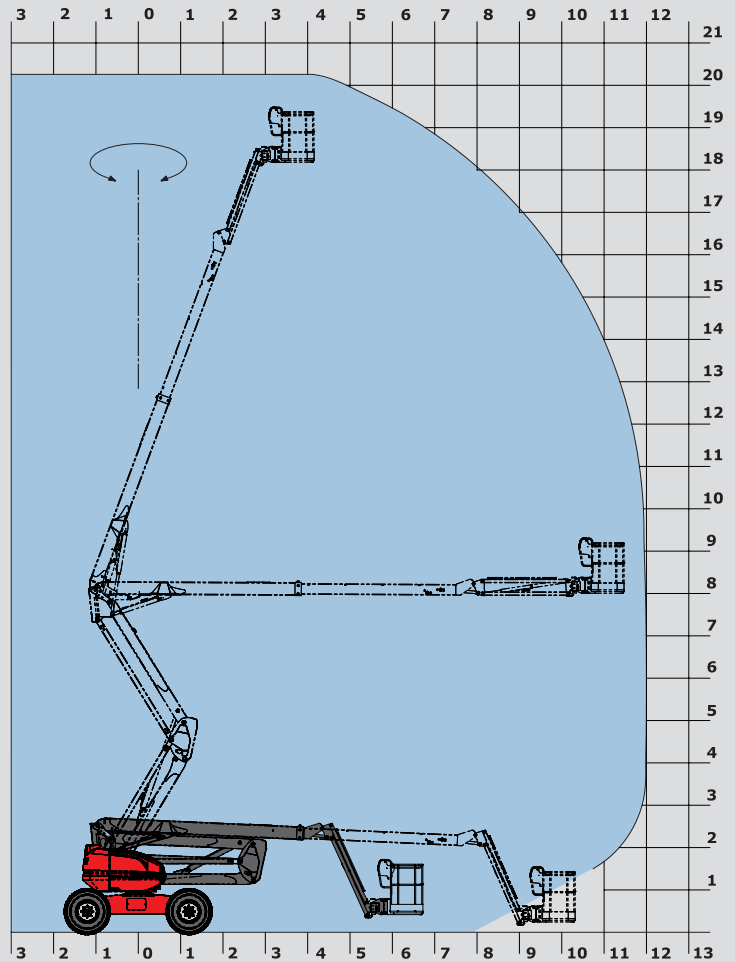
.....10 000 kg

Standard equipment

- Proportional controls
- 4 simultaneous movements
- Foam filled tyres
- Differential lock
- Limited-slip front axle
- Diagnostic-calibrator
- Hourmeter
- Low-fuel indicator
- Horn
- Flashing beacon
- Audible and visual tilt and overload alarms
- Slope over ride
- Lifting eyes
- Electric emergency pump
- Prefitted for 230 V
- Dead man's pedal
- Tool tray
- Protective cover (lockable)

Options

- Continuous rotation
- Oscillating axle
- 230 V outlet with residual current device
- On-board generator (230 V or 110 V)
- Working headlight
- Cold countries kit
- Compressed air predisposal
- Water predisposal
- Refinery kit
- Battery 145 Ah or 160 Ah



The specifications given are not binding to the manufacturer and can be modified without prior notification. The equipment shown in this leaflet may be standard, optional or unavailable depending on the version. For further details, please contact your MANITOU dealer. Complies with the machine directive (EN 280) and standards in the countries where the machine is delivered.



MANITOU BF SA

B.P. 249 - 44158 Ancenis Cedex - France
 Tel. : 33 2 40 09 10 11 / Export Department Fax : 33 2 40 09 10 97
 www.manitou.com

700431EN-A - 10/08

