

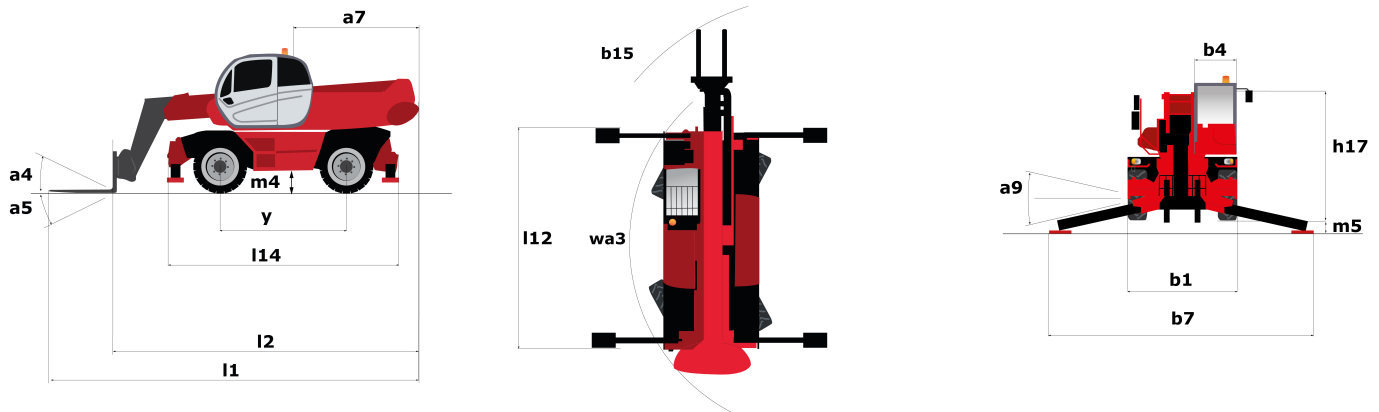
Technical sheet :

MRT 3255 PRIVILEGE PLUS



| Capacities | | Metric |
|---|-----------|--|
| Max. capacity | Q | 5500 kg |
| Max. lifting height | h3 | 31.6 m |
| Max. Reach | l4 | 27.2 m |
| Weight and dimensions | | |
| Overall width | b1 | 2.5 m |
| Overall height | h17 | 3.2 m |
| Overall cab width | b4 | 0.99 m |
| Outer frame turning radius | Wa3 | 5.56 m |
| Ground clearance | m4 | 0.42 m |
| Wheelbase | y | 3.75 m |
| Frame levelling longitudinal +/- | | 3 ° |
| Tilt-up angle | a4 | 12 ° |
| Tilt-down angle | a5 | 105 ° |
| Turret rotation | | 360 ° |
| Overall weight | | 23986 kg |
| Forks length / width / section | l / e / s | 1200 mm x 60 mm x 130 mm |
| Wheels | | |
| Standard tyres | | 17,5_R25 |
| Drive wheels (front / rear) | | 2 / 2 |
| Steering mode | | 2 wheel steer, 4 wheel steer, Crab mode |
| Stabilisers | | |
| Stabs Type | | Telescopic Triplex |
| Controls with stabs | | Stabs Commands Individual or Simultaneous |
| Engine | | |
| Engine brand | | Mercedes |
| Engine norm | | Stage IV / Tier 4 Final |
| Engine model | | OM 934 LA.E4-1 |
| I.C. Engine power rating / Power (kW) | | 231 Hp / 170 kW |
| Max. torque / Engine rotation (min) / Engine rotation | | 705 Nm @ 1200 rpm - 1600 rpm |
| Number of cylinders - Capacity of cylinders | | 4 - 5130 cm³ |
| Injection | | engine Injection direct |
| Engine cooling system | | Water |
| Number of batteries / Battery / Batteries capacity | | 2 x 12 V / 120 Ah |
| Transmission | | |
| Transmission type | | CVT |
| Max. travel speed | | 40 km/h |
| Drawbar pull (Laden) | | 10500 daN |
| Parking brake | | Automatic Negative Hand-brake |
| Service brake | | Oil-immersed multi-discs on front & rear axles |
| Hydraulics | | |
| Hydraulic pump type | | Variable pump |
| Hydraulic flow | | 210 l/min |
| Hydraulic Pressure | | 350 Bar |
| Tank capacities | | |
| Engine oil | | 21 l |
| Hydraulic oil | | 297 l |
| Fuel tank | | 361 l |
| Diesel Exhaust fluid (AdBlue® type) | | 54 l |
| Noise and vibration | | |
| Noise at driving position (LpA) | | 80 dB(A) |
| Environmental noise (LwA) | | 106 dB(A) |
| Vibration to whole hand/arm | | < 2.50 m/s² |
| Miscellaneous | | |
| Steering wheels (front / rear) | | 2 / 2 |
| Controls | | 2 Joysticks |
| Safety cab homologation | | ROPS - FOPS cab (level 2) |
| Attachment recognition system (E-Reco) | | Standard |

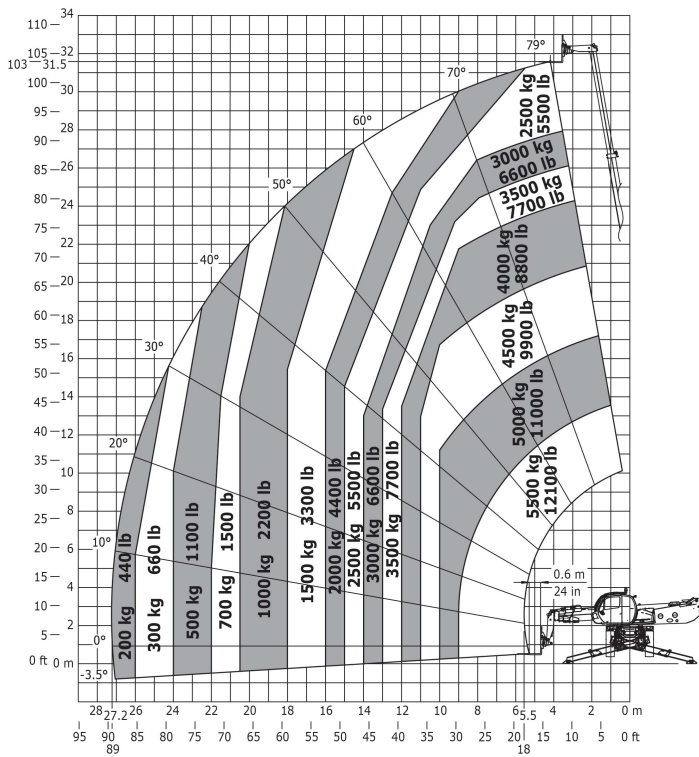
Dimensional drawing



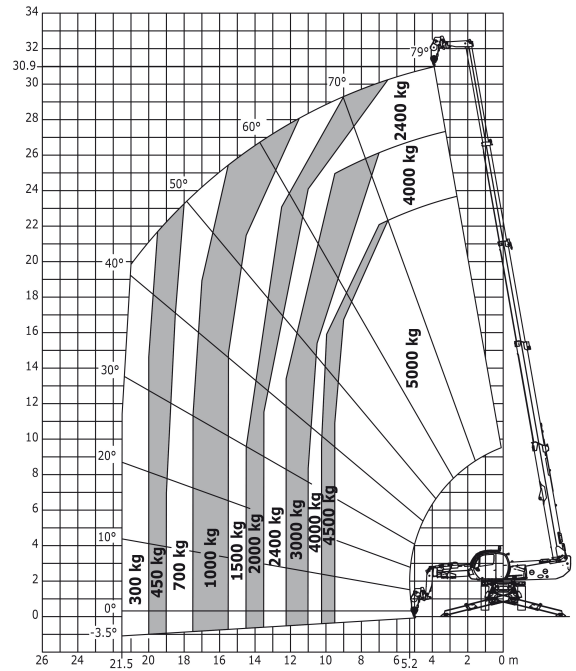
| Other data | | Metric |
|---|-----|---------|
| Overall length (with forks) | l1 | 9.7 m |
| Length to face of forks | l2 | 8.5 m |
| Length of frame | l14 | 6.57 m |
| Wheelbase | y | 3.75 m |
| Ground clearance | m4 | 0.42 m |
| Counterweight offset (turret at 90°) | a7 | 3.8 m |
| Tilt-up angle | a4 | 12 ° |
| Tilt-down angle | a5 | 105 ° |
| Overall length at stabilisers | l12 | 6.49 m |
| Outer frame turning radius | Wa3 | 5.56 m |
| Outer turning radius (with forks) | b15 | 7 m |
| Overall width | b1 | 2.5 m |
| Overall width with stabilisers extended | b7 | 7.1 m |
| Overall cab width | b4 | 0.99 m |
| Overall height | h17 | 3.2 m |
| Frame levelling corrector | a9 | +/- 8 ° |
| Ground clearance under front tires on stabilizers | m5 | 0.35 m |

Load chart

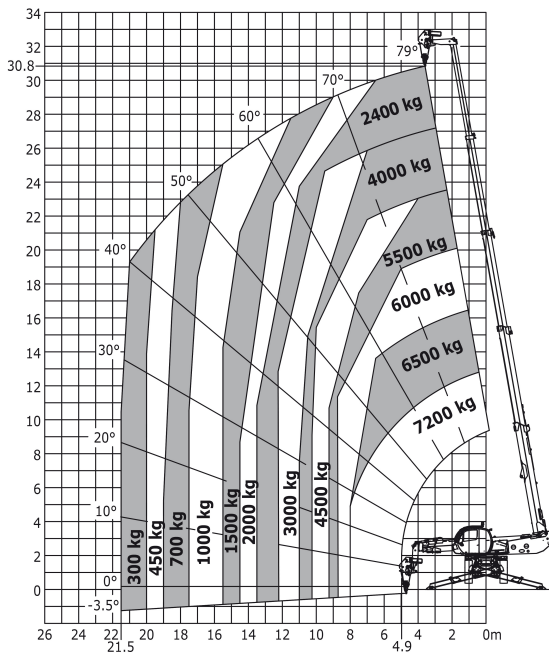
Machine on lowered stabilisers with forks Metric



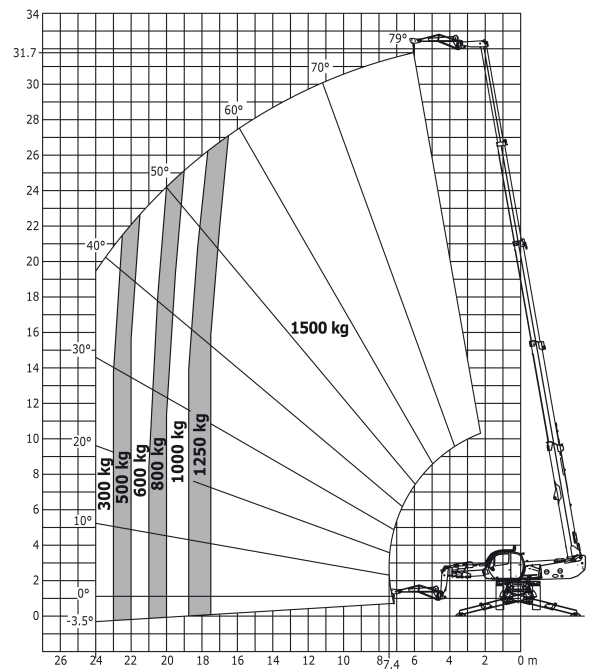
Machine on lowered stabilisers with winch 5000 kg Metric



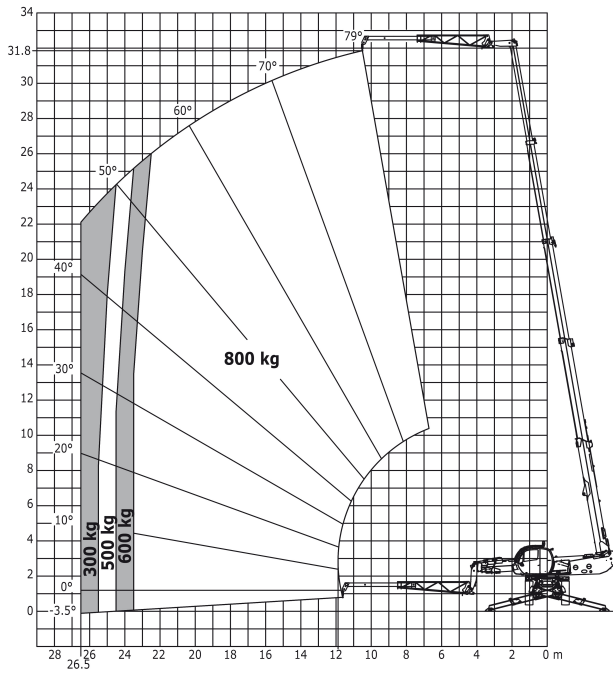
Machine on lowered stabilisers with winch 7000 kg Metric



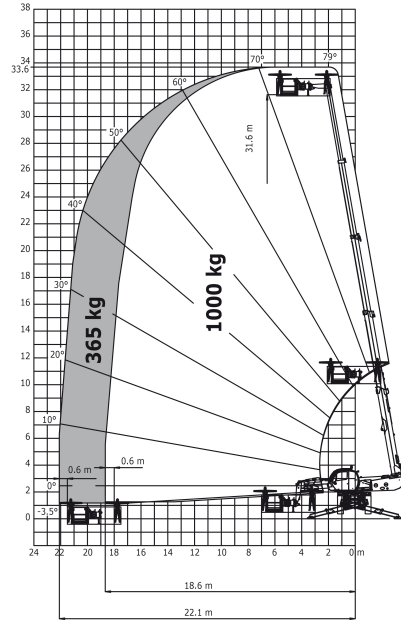
Machine on lowered stabilisers with 1500 kg jib Metric



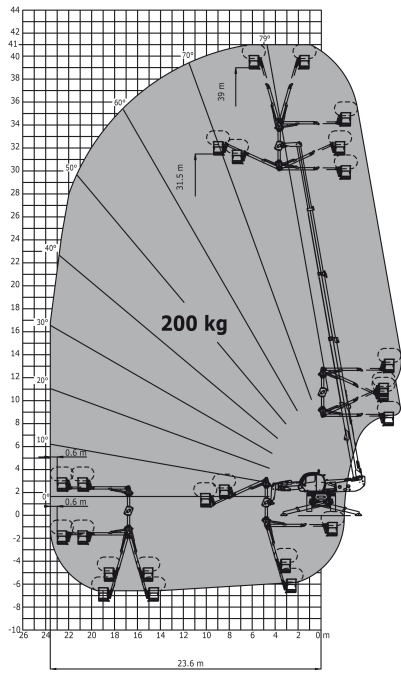
Machine on lowered stabilisers with 800 kg jib Metric



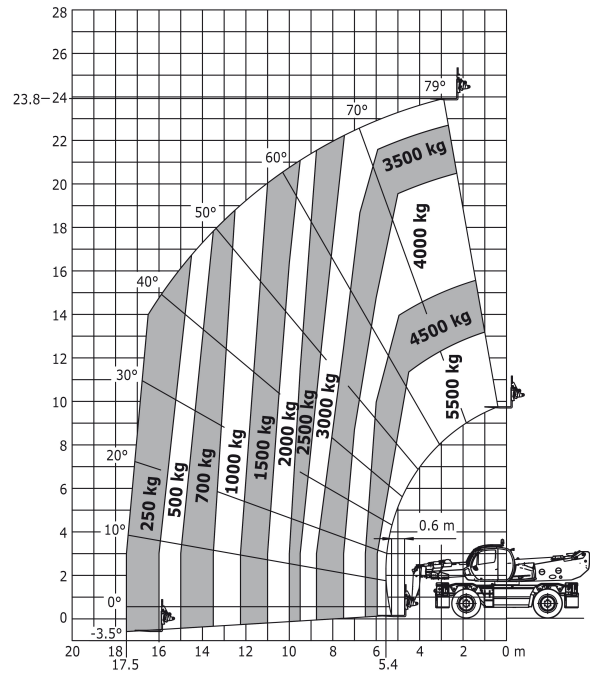
Machine on lowered stabilisers with 1000 kg platform Metric

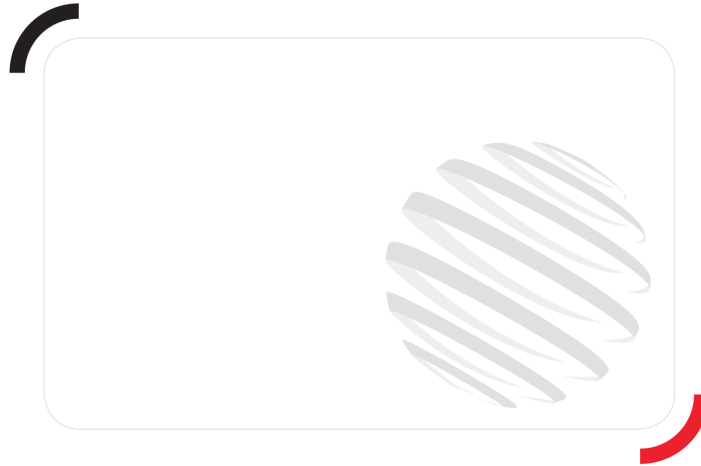


Machine on lowered stabilisers with 3D positive / negative Metric



Machine on tyres with forks Metric





Siège Social
430 rue de l'Aubinière - 44150 Ancenis Cedex - France
Tel: +33(0)2 40 09 10 11 - Fax: +33 (0)2 40 09 10 97
www.manitou.com



This brochure describes versions and configuration options for Manitou products which may be fitted with different equipment. The equipment described in this brochure may be standard, optional or not available depending on version. Manitou reserves the right to change the specifications shown and described at any time and without prior warning. The manufacturer is not liable for the specifications given. For more information, contact your Manitou dealer. Non-contractual document. Product descriptions may differ from actual products. List of specifications is not comprehensive. The logos and visual identity of the company are the property of Manitou and may not be used without authorisation. All rights reserved. The photos and diagrams contained in this brochure are provided for information only.

MANITOU BF SA - Limited company with board of directors - Share capital: 39,668,399 euros - 857 802 508
RCS Nantes