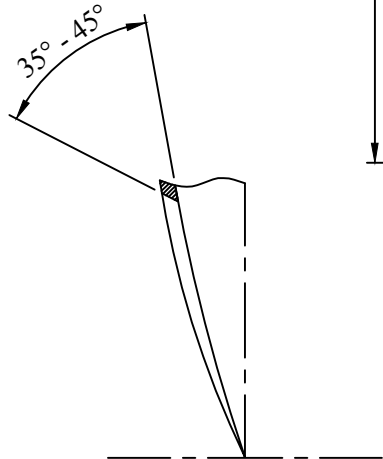
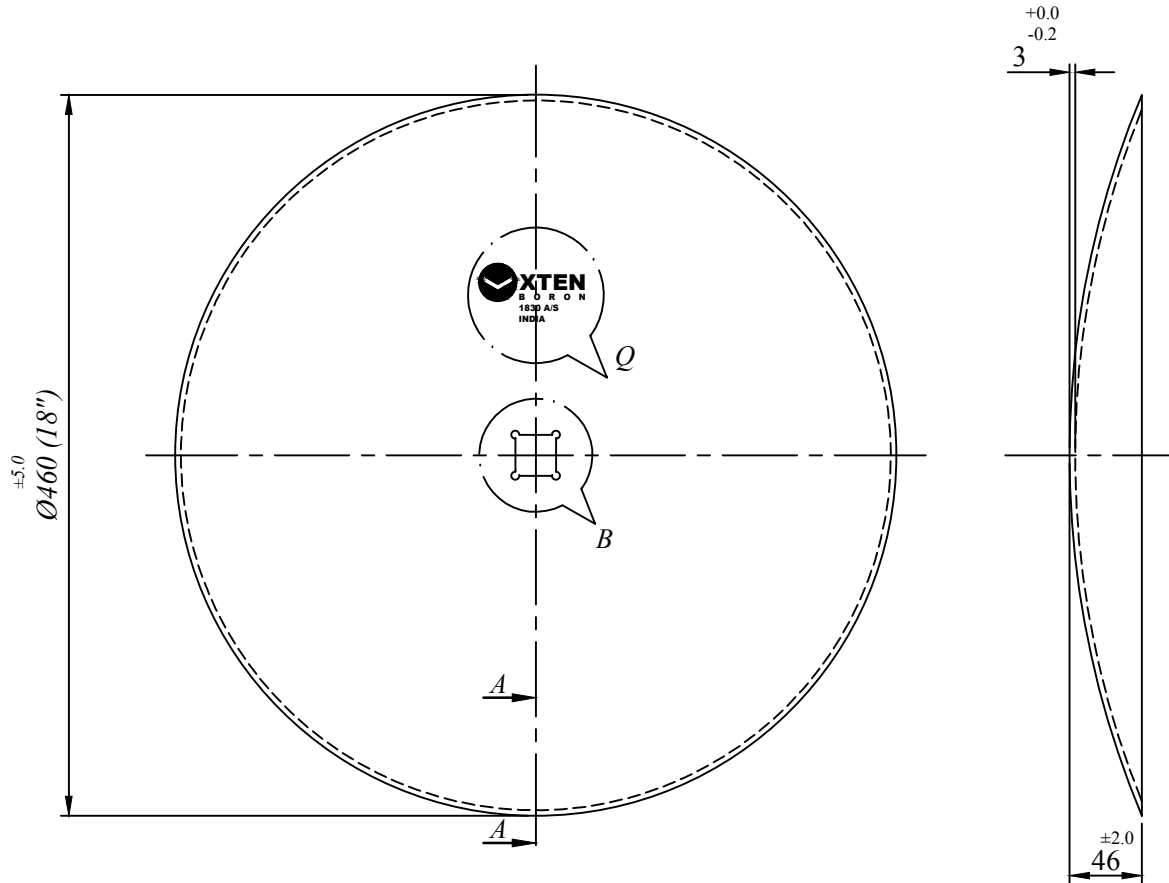
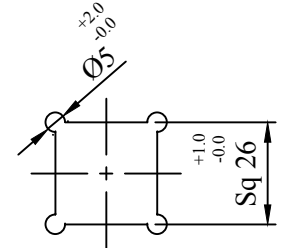


DETAIL - Q
SCALE - 1:2



SECTION - "AA"
SCALE - 1:2



DETAIL - B
SCALE - 1:2

NOTE :-
ALL DISCS ARE SHOT BLASTED & POWDER COATED
ALL DIMENSION OTHER - WISE SPECIFIED IN M.M.

NOTE -
PASS AXLE SIZE - 25.4 mm.
PASS GAUGE SIZE - 25.7 mm.

STATUTORY WARNING THIS DESIGN IS THE PROPERTY OF M/S NIPHA EXPORTS (P) LTD, 28/1 SHAKESPEAR SARANI, KOL- 17 AND IS ONLY ALLOWED TO BE USED BY EXPRESS PERMISSION AND LICENCE FROM M/S NIPHA EXPORTS (P) LTD.		PROJ./PROD./STD./ENQ./CDS./ SODS. NO.-		KOLKATA-INDIA	
SCALE- 1:5,1:2		CLIENT- .			
QTY.-		TITLE- HARROW DISC SMOOTH			
DON'T SCALE IF ANY DOUBT , PLEASE ASK		CODE-		ASS'L'D ON-	
STATUTORY NOTES RAW MATL. SPCN.- 28 Mn B5/30 Mn B5 HARDNESS. - 46-52 HRC FINISH. - BLACK FINISH MATL. WT.-		Remark-		DESIGN CAL. SHT. NO.-	
PROTECTION-		LISTED ON-		CONCEPT DWG. NO.-	
DRAWN BY	D. HAZRA	22.09.17	PART NO./ DRAWING NO.		REV.
CHKD. BY	-		US/B/1830 A/S		-
APPROVED BY	-		-		-

REV.	DATE	REV. BY	CHKD. BY	DESCRIPTION OF REVISION	REMARKS