

SURFACE FINISH			NIPHA				
SYM	GRADE	Ra	ALT. NO.	MODIFICATION	ECN NO.	APPD.	DATE
~	N12	50.0					
▽	N11	25.0					

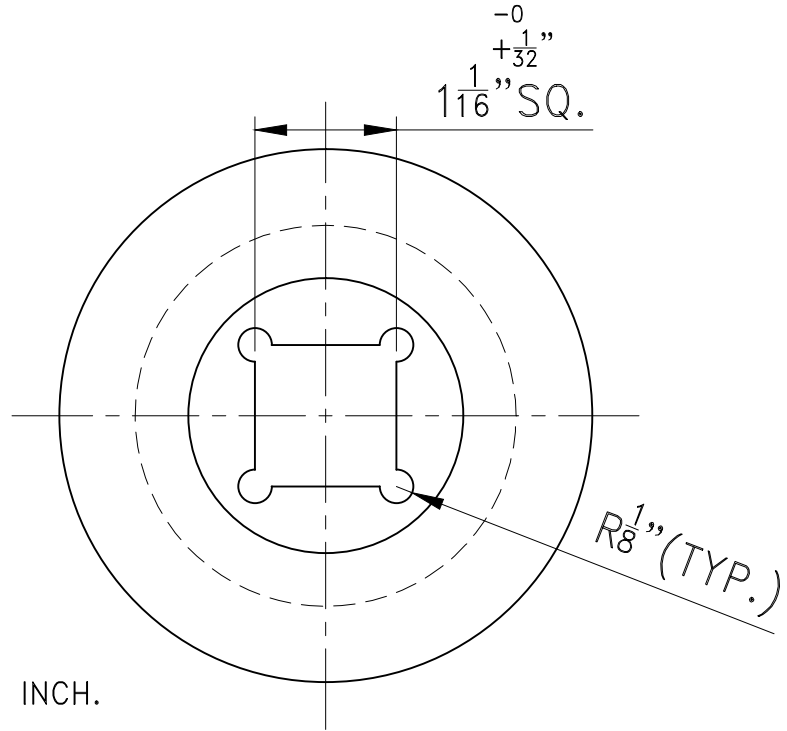
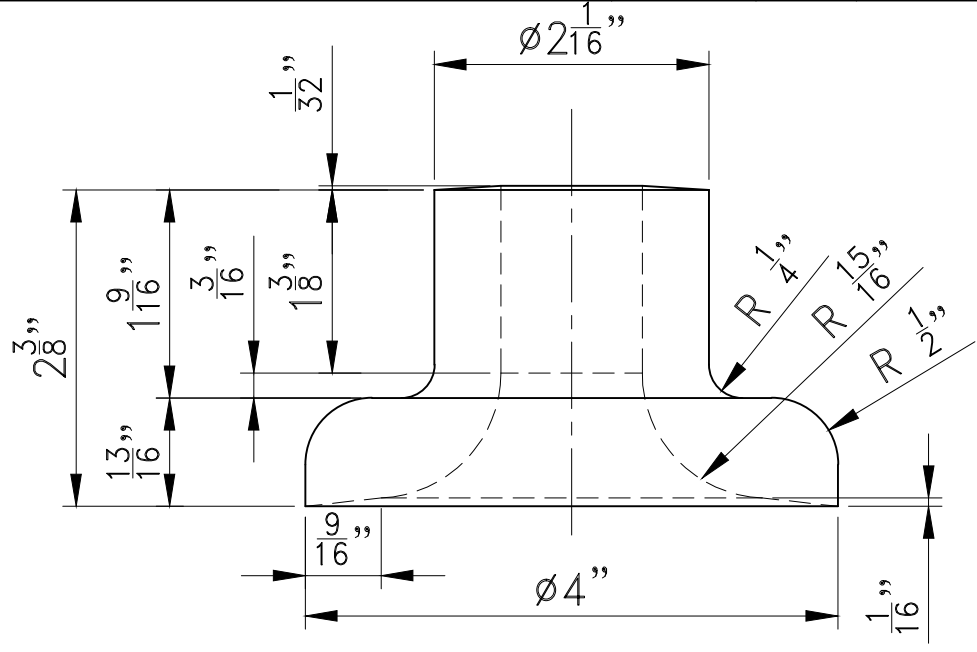
▽▽	N10	12.5
▽▽	N9	6.3
▽▽	N8	3.2
▽▽	N7	1.6
▽▽	N6	0.8
▽▽	N5	0.4
▽▽	N4	0.2

PASS 26.50mm HEAT-TREATED SQUARE EDGE SQUARE BAR TO CHECK HOLE.

DO NOT SCALE DRAWING
PLEASE ASK, IF IN DOUBT

ALL DIMENSIONS ARE IN INCH.
DO NOT SCALE DRAWING.

THIS DRAWING AND SPECIFICATION ARE EXCLUSIVE PROPERTY OF NIPHA EXPORTS PVT. LTD. UNAUTHORISED USE OR MAKING COPIES THERE OF WITHOUT PERMISSION ARE STRICTLY PROHIBITED.



TARGET WEIGHT: 1.36 Kg.

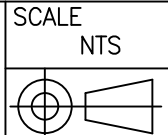
NOTES:-

- 1) ALL DIMENSION ARE IN INCH.
- 2) OPEN TOLERANCE $\pm \frac{1}{32}$ "

FOR PARTY	TITLE	DRG.NO.:-
DIRT DOG MAUF.	2-3/8" WASHER FOR 1" SQ.AXLE	9C AS/MISC/143
AGRI IMP.	2-3/8" SPOOL SPACER FOR 1" SQ.AXLE	9C AS/MISC/143

DRN	SIGN	DATE	MATERIAL	ASTM A-48	QTY.	HARDNESS	REF. DRG. NO.-
CHKD	S.K.	18.12.18	GRADE	30 GRAY IRON	01	--	--
APPD			TITLE				DRG.NO.:-
			SEE TABLE				SEE TABLE


NIPHA EXPORTS PVT. LTD
 PLOT NO. 29, SECTOR- 6, FARIDABAD
 HARYANA



SHEET	REV.NO.
1	00
1	