

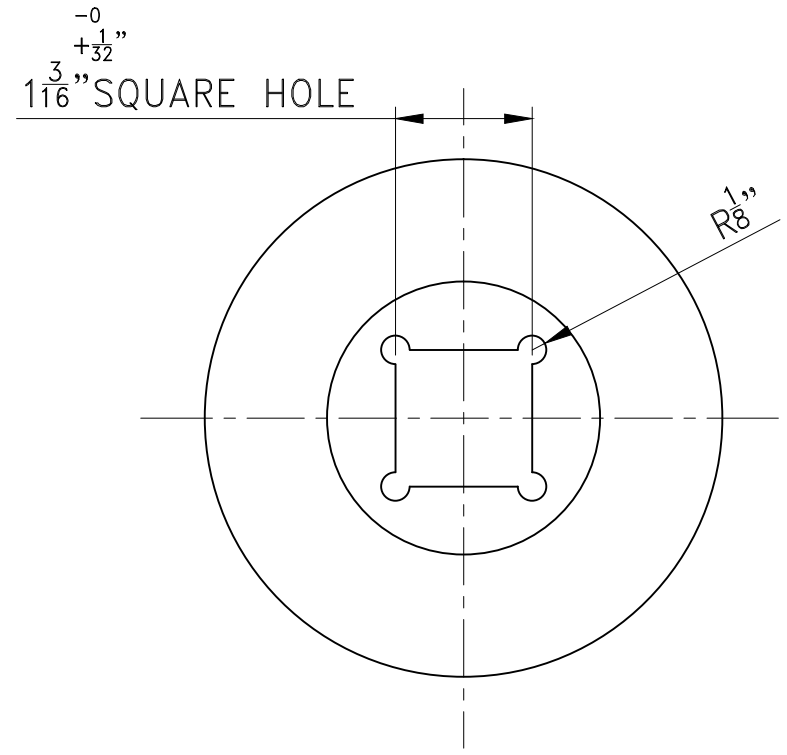
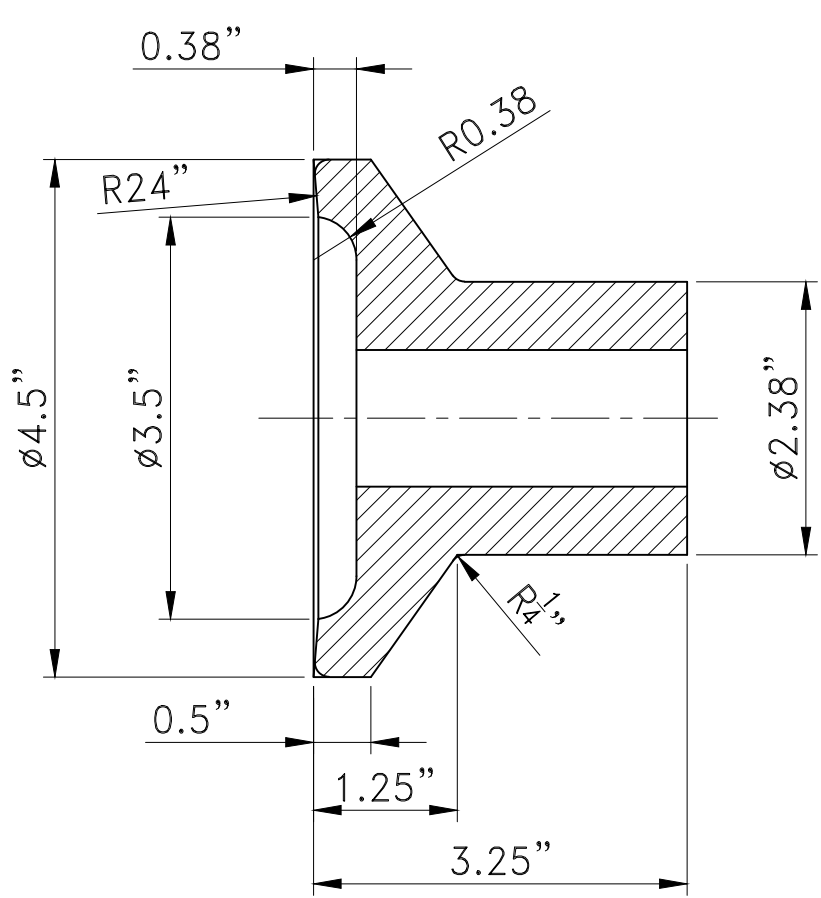
PASS 29.50mm HEAT-TREATED SQUARE EDGE SQUARE BAR TO CHECK HOLE.

SURFACE FINISH	
SYM	GRADE Ra
∩	N12 50.0
∇	N11 25.0
▽	N10 12.5
▽▽	N9 6.3
▽▽▽	N8 3.2
▽▽▽▽	N7 1.6
▽▽▽▽▽	N6 0.8
▽▽▽▽▽▽	N5 0.4
▽▽▽▽▽▽▽	N4 0.2

DO NOT SCALE DRAWING
PLEASE ASK, IF IN DOUBT

ALL DIMENSIONS ARE IN INCH
UNLESS OTHERWISE SPECIFIED

THIS DRAWING AND SPECIFICATION ARE EXCLUSIVE
PROPERTY OF NIPHA EXPORTS PVT. LTD.
UNAUTHORISED USE OR MAKING COPIES THERE OF
WITHOUT PERMISSION ARE STRICTLY PROHIBITED.



NOTE :-
 MATERIAL GRADE 30 GRAY IRON.
 ALL FILLETS & ROUNDS 1/8"R
 GENERAL CASTING TOLERANCE DIMENSIONS +/- 1/32"
 PAINT FINISH BLACK

2018	SIGN	DATE	MATL.:- SEE NOTE	WEIGHT:- 2.15kg	HARDNESS:-	REF. DRG. NO.- -----
DRN	S.K.	07.02.18	TITLE: 3.25" WASHER FOR 1-1/8" SQ.AXLE			DRG.NO.:- AS/MISC/202
CHKD						
APPD						
NIPHA EXPORTS PVT. LTD PLOT NO. 29, SECTOR- 6, FARIDABAD HARYANA			SCALE 1:1 	SHEET 1 1	REV.NO. 00	