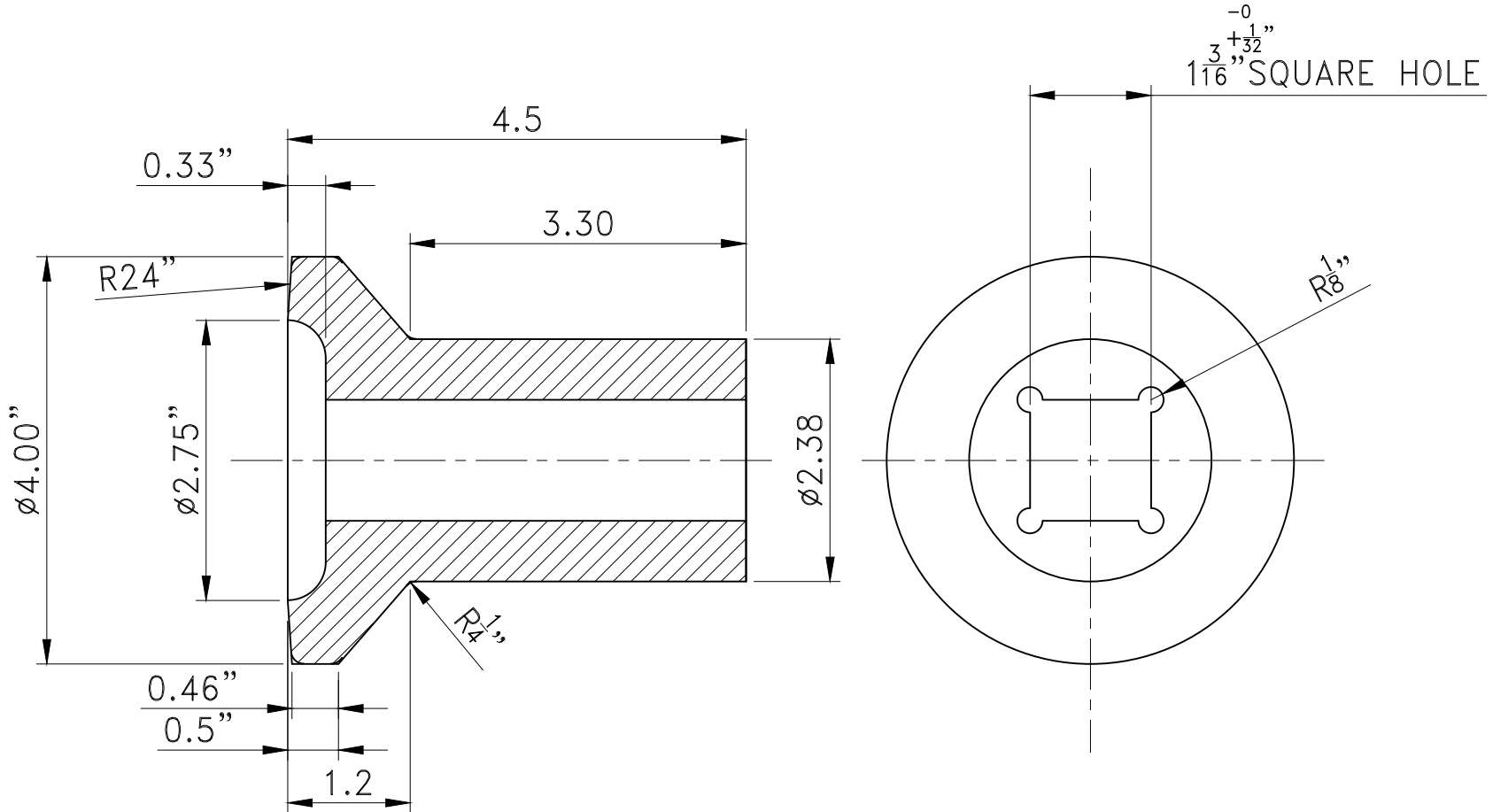


SURFACE FINISH	
SYM	GRADE Ra
N12	50.0
N11	25.0
N10	12.5
N9	6.3
N8	3.2
N7	1.6
N6	0.8
N5	0.4
N4	0.2

DO NOT SCALE DRAWING  
PLEASE ASK, IF IN DOUBT

ALL DIMENSIONS ARE IN INCH  
UNLESS OTHERWISE SPECIFIED



THIS DRAWING AND SPECIFICATION ARE EXCLUSIVE  
PROPERTY OF NIPHA EXPORTS PVT. LTD.  
UNAUTHORISED USE OR MAKING COPIES THERE OF  
WITHOUT PERMISSION ARE STRICTLY PROHIBITED.



PASS 29.50mm HEAT-TREATED SQUARE EDGE SQUARE BAR TO CHECK HOLE.

NOTE :-

MATERIAL GRADE 30 GRAY IRON.  
ALL FILLETS & ROUNDS 1/8"R  
GENERAL CASTING TOLERANCE DIMENSIONS +/- 1/32"  
PAINT FINISH BLACK

2018	SIGN	DATE	MATL.:- SEE NOTE	WEIGHT:- 2.45 kg	HARDNESS:- .....	REF. DRG. NO.- -----
DRN	S.K.	07.02.18	TITLE: 4.5" WASHER FOR 1-1/8" SQ.AXLE			DRG.NO.:- AS/MISC/201
CHKD						
APPD						
 <b>NIPHA EXPORTS PVT. LTD</b> PLOT NO. 29, SECTOR- 6, FARIDABAD HARYANA			SCALE 1:1 	SHEET 1 1	REV.NO. 00	