

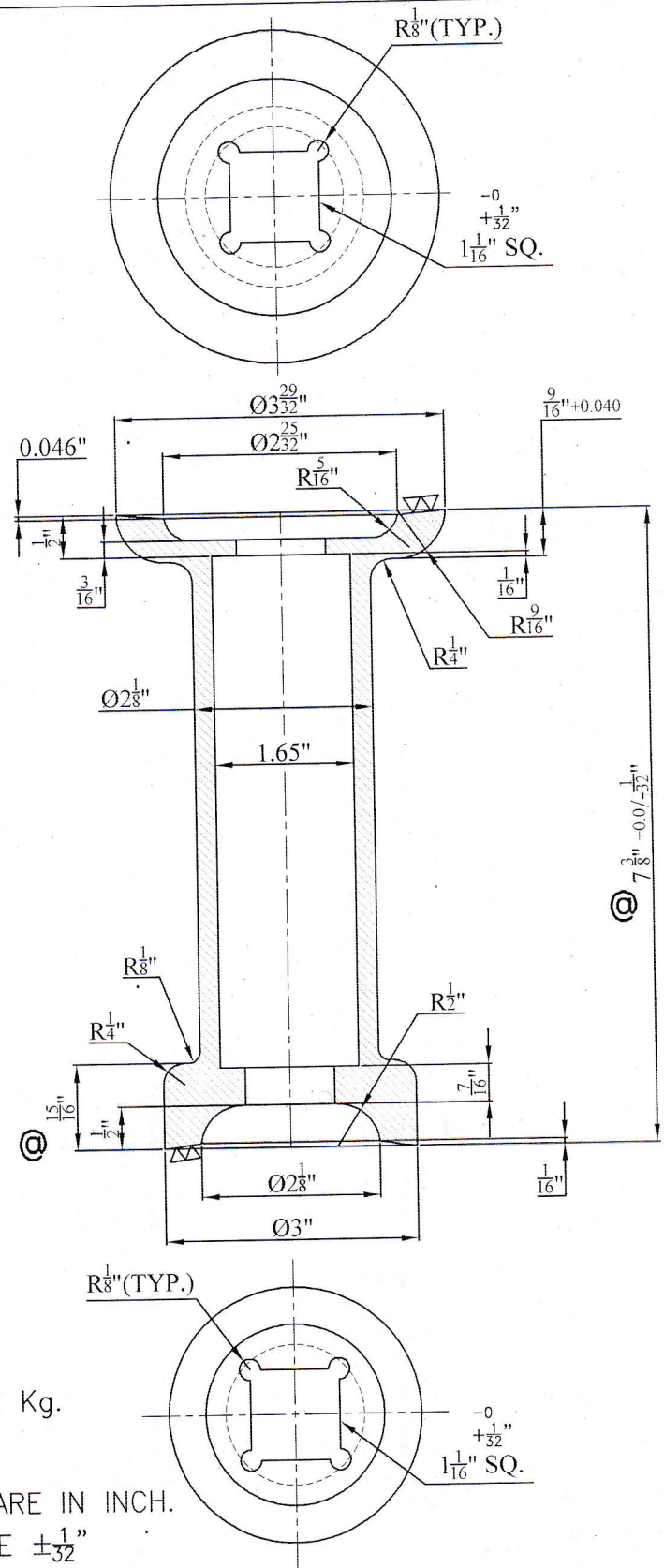
SURFACE FINISH		ALT. NO.	MODIFICATION	ECN NO.	APPD.	DATE
SYM	GRADE Ra	01	TOTAL LENGTH 7 3/8" +0.0/-1/32", 15/16" WERE 7 7/16", 1"	ⓐ		21.06.19
▽	N12 50.0					
▽	N11 25.0					
▽	N10 12.5					
▽	N9 6.3					
▽	N8 3.2					
▽	N7 1.6					
▽	N6 0.8					
▽	N5 0.4					
▽	N4 0.2					

DO NOT SCALE DRAWING  
PLEASE ASK, IF IN DOUBT

ALL DIMENSIONS ARE IN INCH.  
DO NOT SCALE DRAWING.

THIS DRAWING AND SPECIFICATION ARE EXCLUSIVE  
PROPERTY OF NIPHA EXPORTS PVT. LTD.  
UNAUTHORISED USE OR MAKING COPIES THERE OF  
WITHOUT PERMISSION ARE STRICTLY PROHIBITED.

PASS 26.50mm HEAT-TREATED SQUARE EDGE SQUARE BAR TO CHECK HOLE.



TARGET WEIGHT: 1.82 Kg.  
NOTES: -  
1) ALL DIMENSION ARE IN INCH.  
2) OPEN TOLERANCE  $\pm \frac{1}{32}$ "

FOR PARTY	TITLE	DRG.NO.:-
DIRT DOG MAUF.	7-3/8" PLAIN SPOOL FOR 1" SQ.AXLE	9C AS/MISC/138)
AGRI IMP.	7-3/8" PLAIN SPOOL FOR 1" SQ.AXLE	9C AS/MISC/138)

DRN	SIGN	DATE	MATERIAL	ASTM A-48	QTY.	HARDNESS	REF. DRG. NO. -
CHKD	S.K.	18.12.18	GRADE	30 GRAY IRON	01	--	--
APPD			TITLE			DRG.NO.:-	
			SEE TABLE			SEE TABLE	

**NIPHA EXPORTS PVT. LTD**  
PLOT NO. 29, SECTOR- 6, FARIDABAD  
HARYANA

SCALE	SHEET	REV.NO.
NTS	1	01
	1	