

SURFACE FINISH

NIPHA

SYM	GRADE	Ra
~	N12	50.0
▽	N11	25.0
	N10	12.5
∇	N9	6.3
	N8	3.2
	N7	1.6
∇∇	N6	0.8
	N5	0.4
	N4	0.2

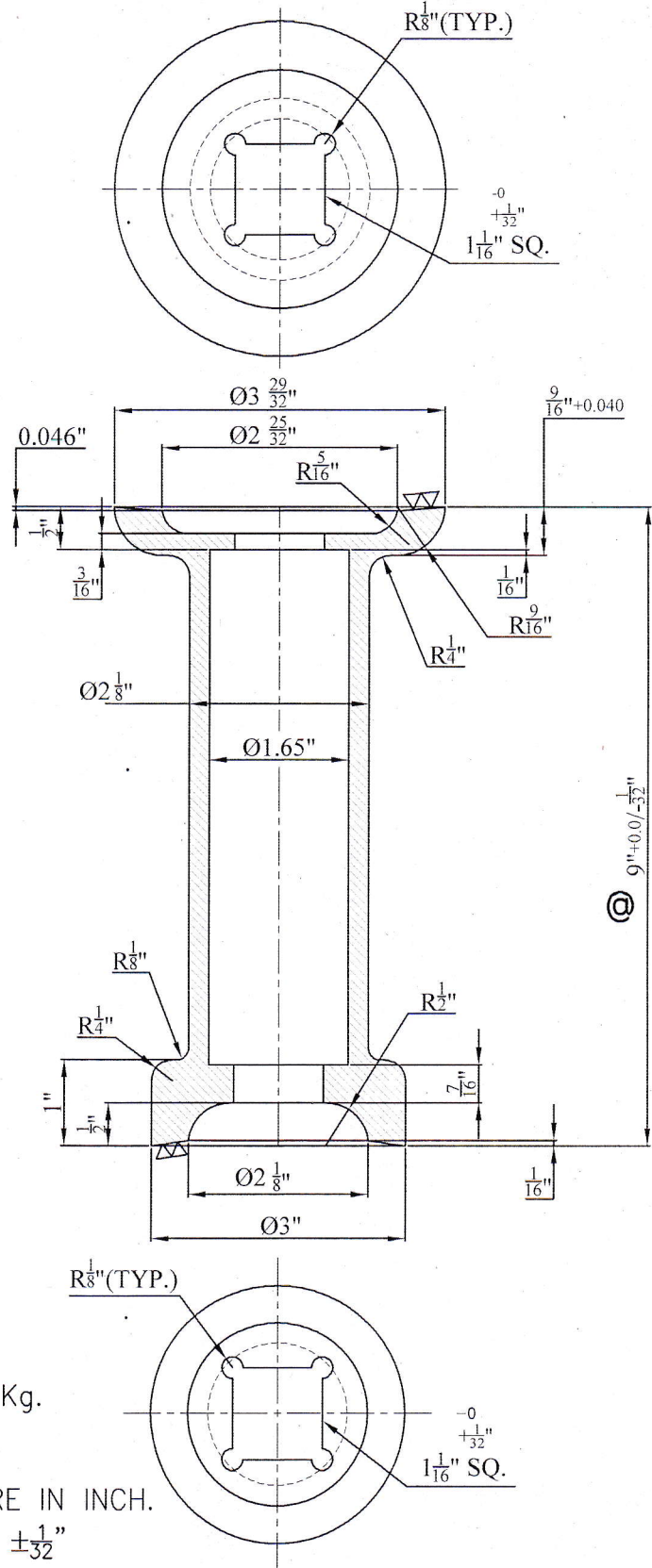
ALT. NO.	MODIFICATION	ECN NO.	APPD.	DATE
01	TOTAL LENGTH 9"+0.0/-1/32" WAS 9"	Ⓐ		21.06.19

DO NOT SCALE DRAWING  
PLEASE ASK, IF IN DOUBT

ALL DIMENSIONS ARE IN INCH.  
DO NOT SCALE DRAWING.

THIS DRAWING AND SPECIFICATION ARE EXCLUSIVE  
PROPERTY OF NIPHA EXPORTS PVT. LTD.  
UNAUTHORISED USE OR MAKING COPIES THERE OF  
WITHOUT PERMISSION ARE STRICTLY PROHIBITED.

PASS 26.50mm HEAT-TREATED SQUARE EDGE SQUARE BAR TO CHECK HOLE.



TARGET WEIGHT: 1.82 Kg.

NOTES:-

- 1) ALL DIMENSION ARE IN INCH.
- 2) OPEN TOLERANCE  $\pm \frac{1}{32}$ "

FOR PARTY	TITLE	DRG.NO.:-
DIRT DOG MAUF.	9" PLAIN SPOOL FOR 1" SQ.AXLE	9C AS/MISC/153
AGRI IMP.	9" PLAIN SPOOL FOR 1" SQ.AXLE	9C AS/MISC/153

SIGN	DATE	MATERIAL	ASTM A-48	QTY.	HARDNESS	REF. DRG. NO.-
DRN	S.K.	18.12.18	GRADE 30 GRAY IRON	01	--	--
CHKD			TITLE			DRG.NO.:-
APPD			SEE TABLE			SEE TABLE

**NIPHA EXPORTS PVT. LTD**  
PLOT NO. 29, SECTOR- 6, FARIDABAD  
HARYANA

SCALE	SHEET	REV.NO.
NTS	1	01

