

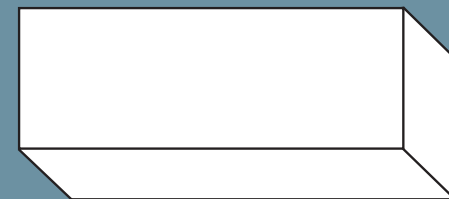
Bench Hook Materials

(1) $11\frac{1}{4} \times 11\frac{7}{8} \times \frac{3}{4}$

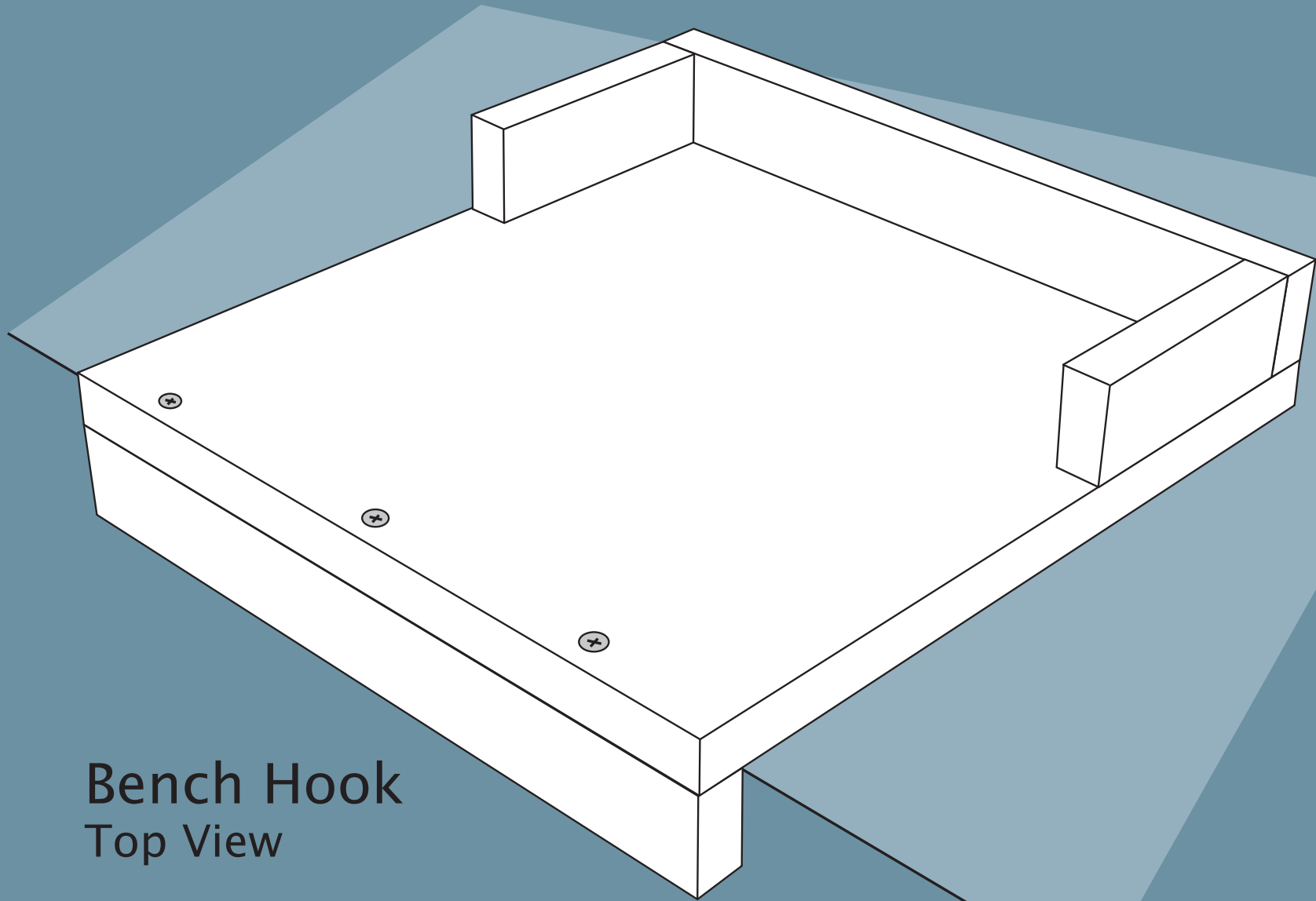


x 8

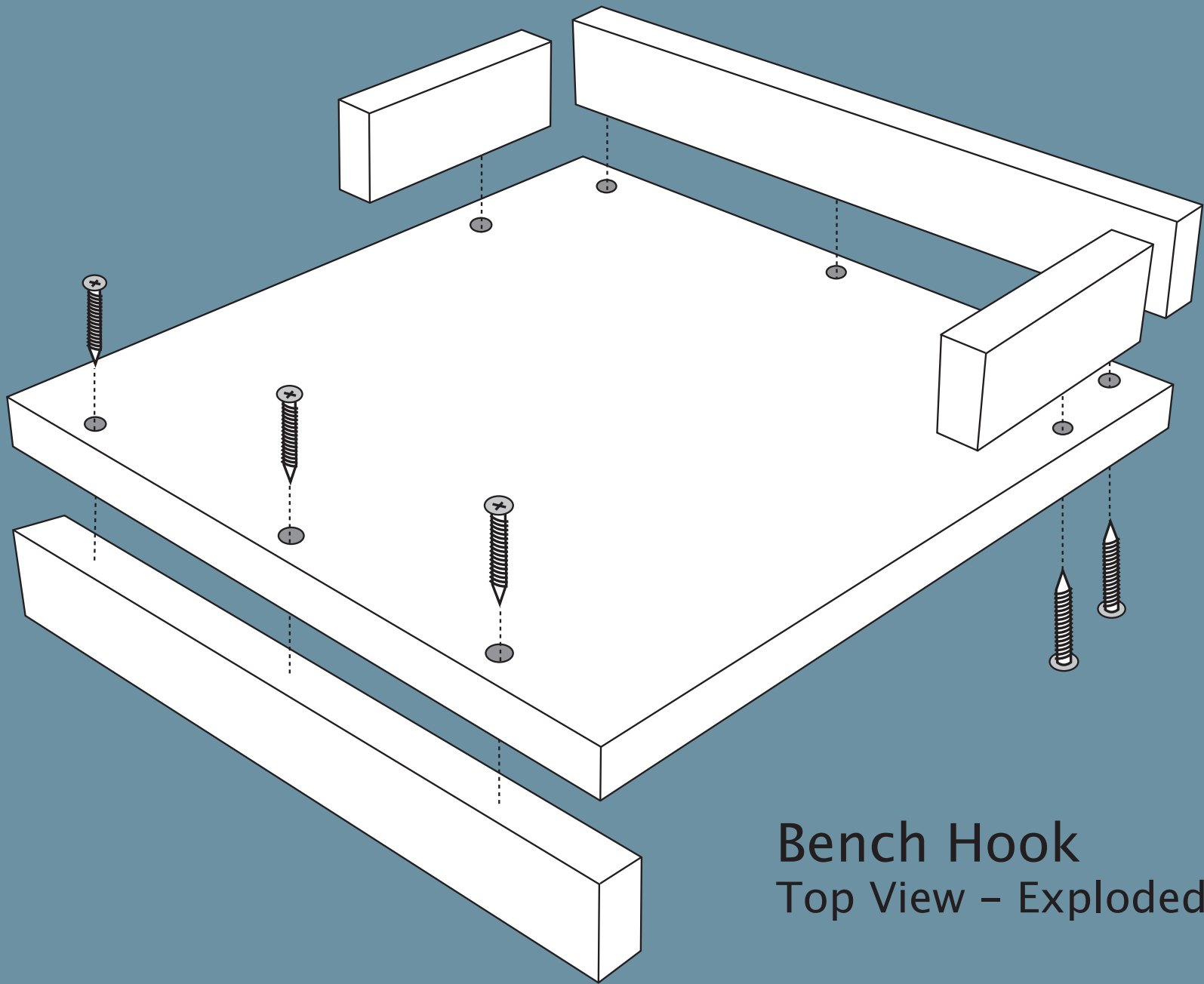
(2) $4\frac{1}{8} \times 1\frac{1}{2} \times \frac{3}{4}$



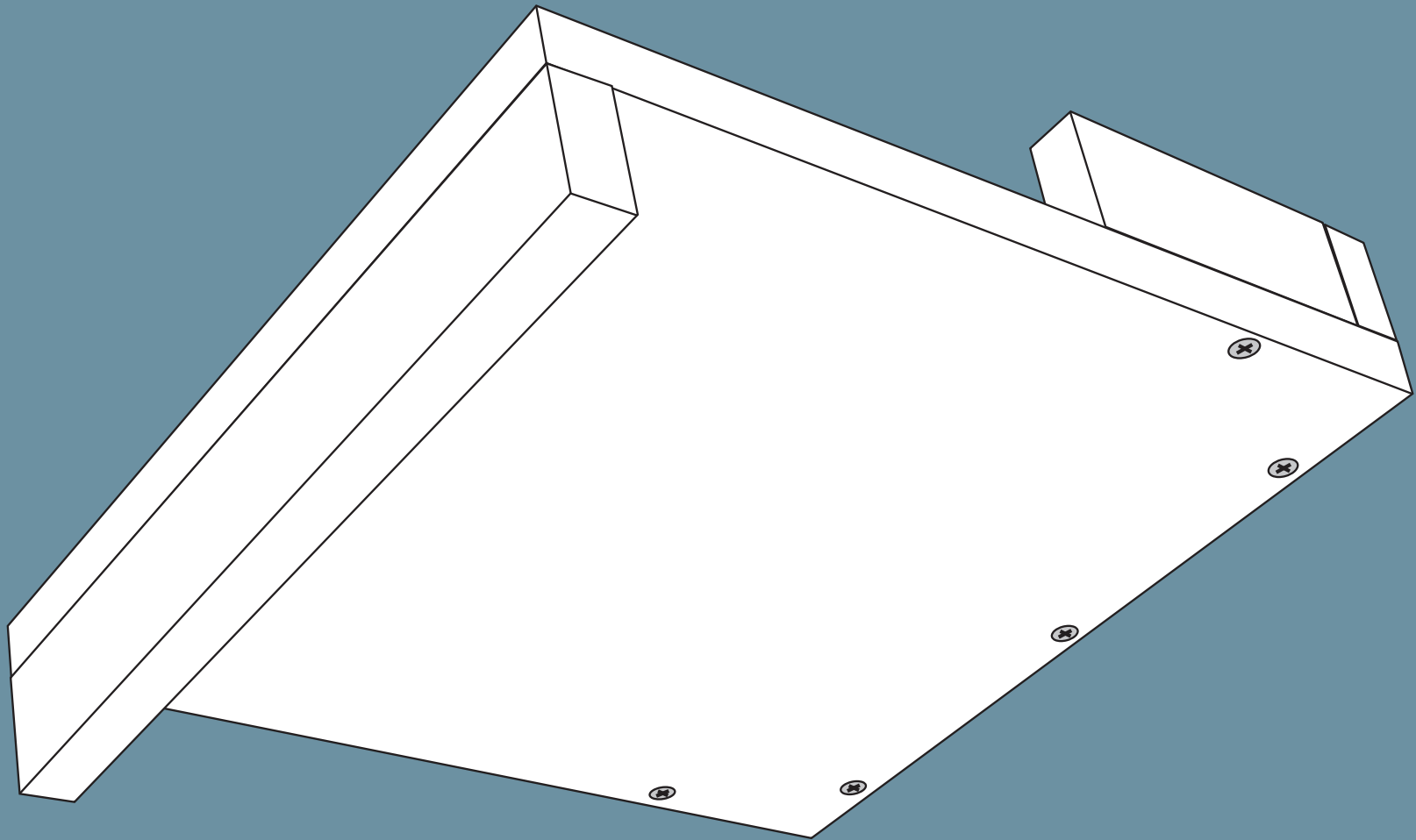
(2) $11\frac{1}{4} \times 1\frac{1}{2} \times \frac{3}{4}$



Bench Hook
Top View



Bench Hook
Top View - Exploded



Bench Hook
Bottom View

Bench Hook

Bottom View - Exploded

