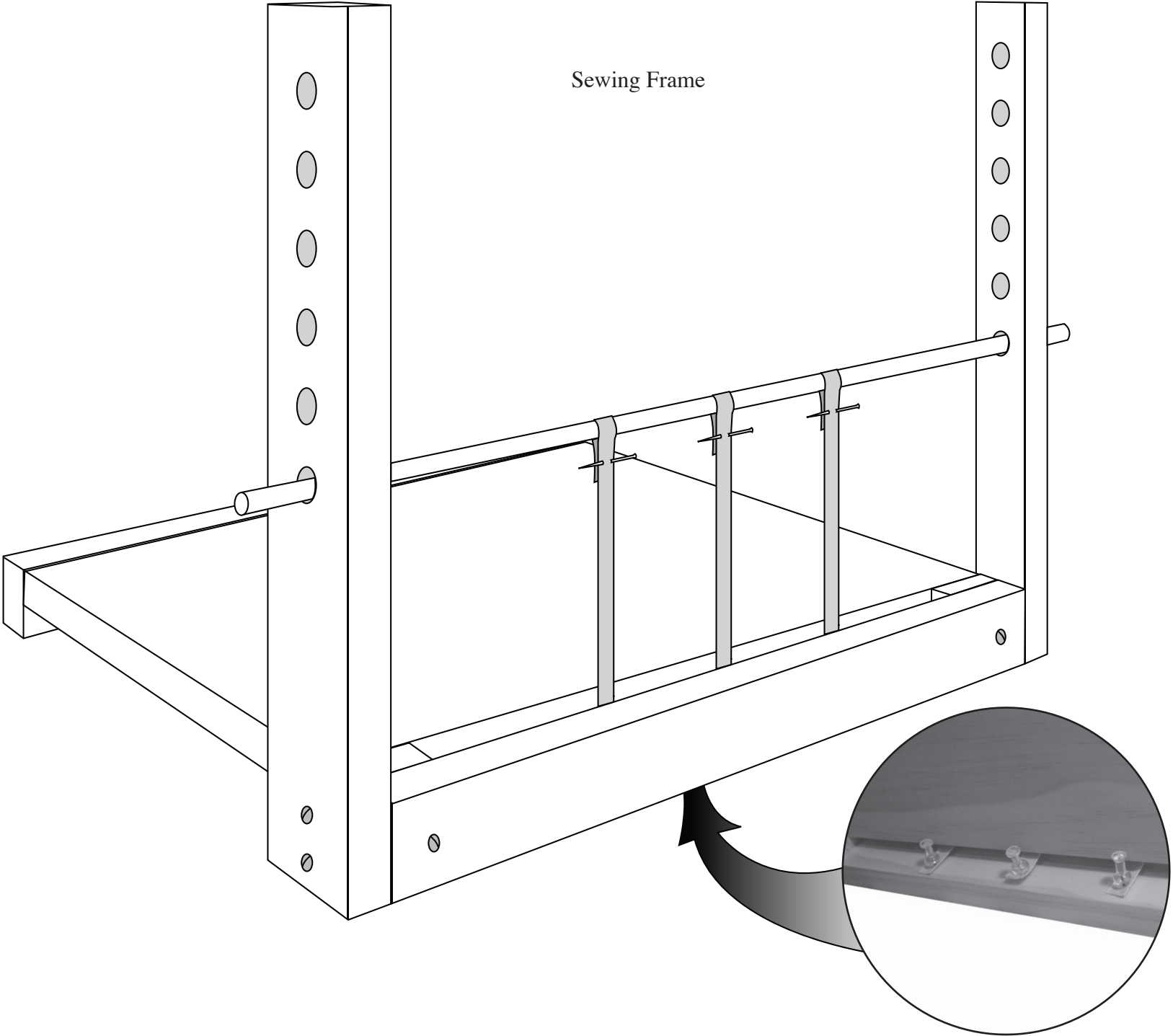



Sewing Frame

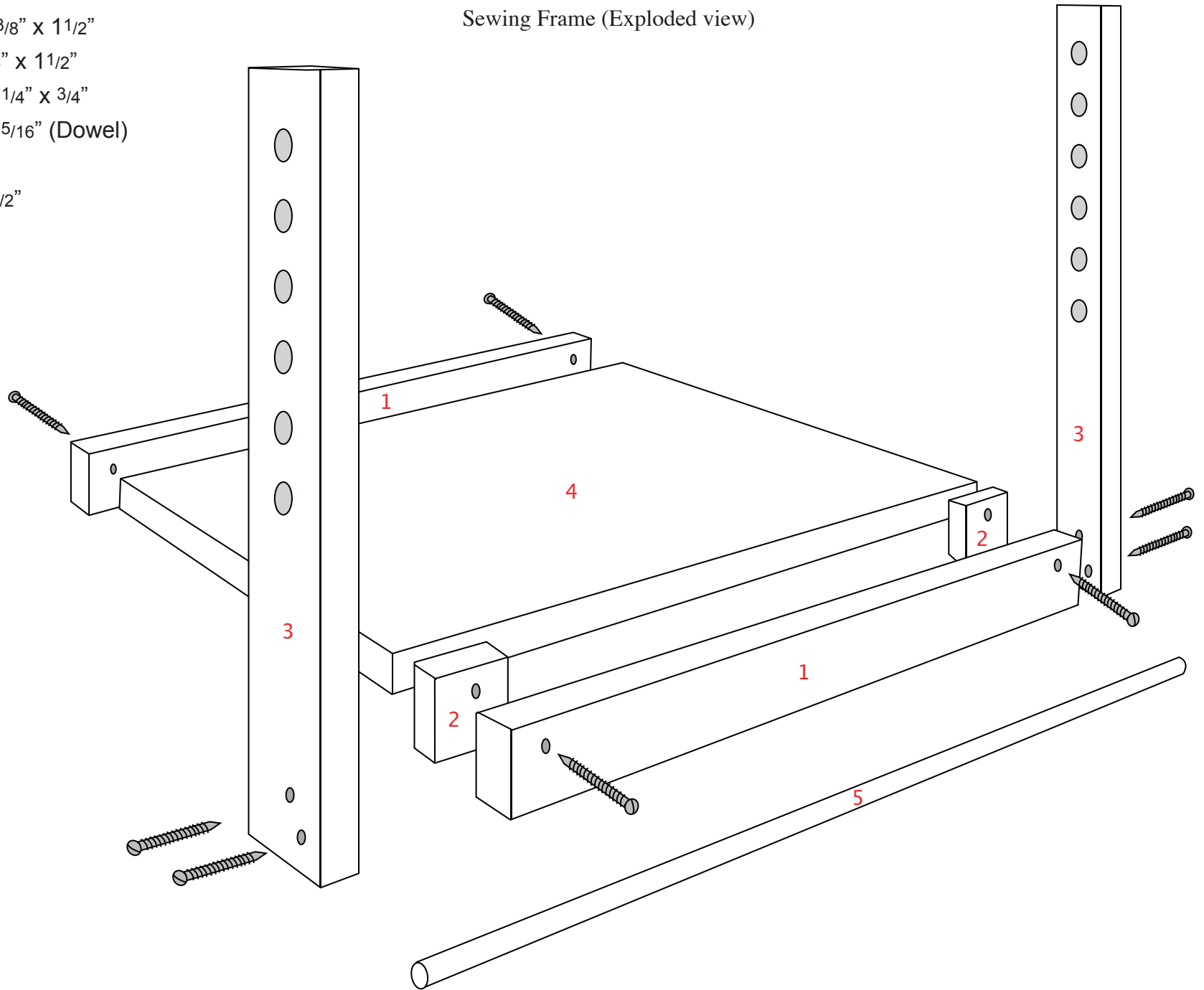


# Sewing Frame (Exploded view)

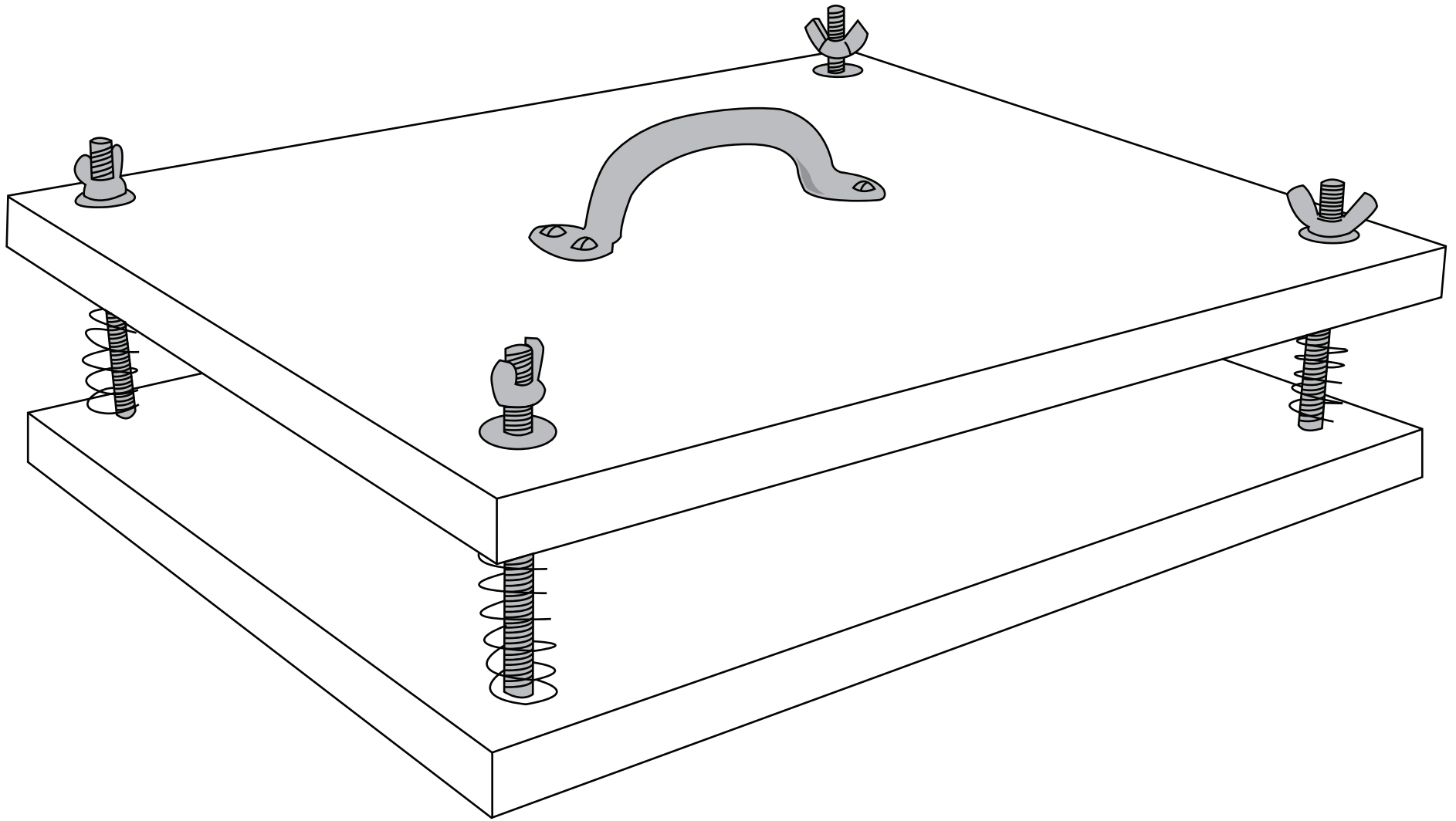
- 1 — (2) 14" x 3/4" x 1 1/2"
- 2 — (2) 1 1/2" x 3/8" x 1 1/2"
- 3 — (2) 12" x 3/4" x 1 1/2"
- 4 — (1) 14" x 1 1/4" x 3/4"
- 5 — (1) 17 1/2" x 5/16" (Dowel)

 — (8) 1 1/2"

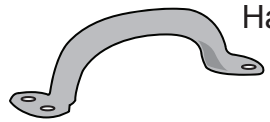
- Tools
- Screwdriver
  - Drill
- Elmer's Glue



Book Press



1 — (2) 12" x 14" x 3/4"



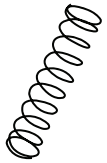
Handle (1)



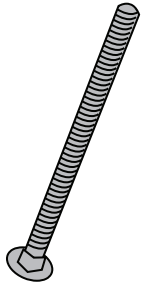
Wing Nut (4)



Washer (4)



Spring (4)



Bolt (4) 4 3/4" (length)



Wood Screws (4)  
1/2" (length)

### Book Press (Exploded view)

